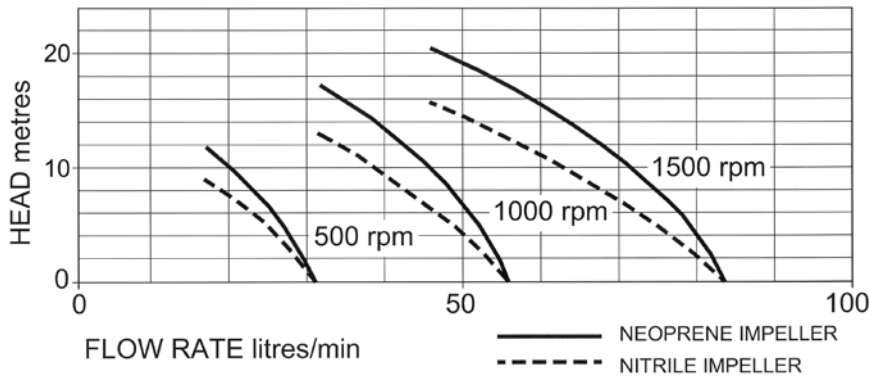


PERFORMANCE:

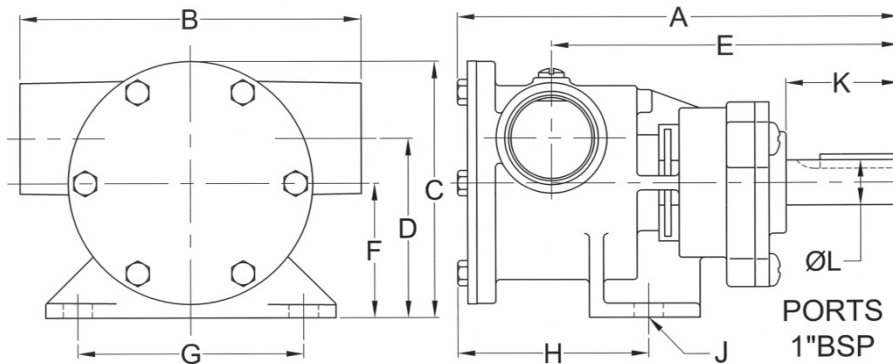


MODEL	Maximum flow rate		Maximum head	
	l/min	gall/min	metres	feet
52080-2001	82	18	20	65
52080-2003	82	18	18	59

Max Power absorbed 550 watt at 1500rpm

DIMENSIONS:

WEIGHT: 2.1Kg



A	B	C	D	E	F	G	H	J	K	ØL
156	120	91	64	123	48	79	67	10	40	Ø16

MATERIALS OF CONSTRUCTION:

Body	Bronze
Impeller	Neoprene or Nitrile
Wearplate	Replaceable
Shaft	Stainless steel type 316
Shaft seal	Lip type
Bearings	Twin row, ball type
Port type	1" BSP to BS21 (DIN2999)

MODELS:

52080-2001 Standard Neoprene Impeller

52080-2003 Oil resistant Nitrile

52080-2021 High pressure Neoprene



a xylem brand

BRONZE FLEXIBLE IMPELLER PEDESTAL PUMP

52080 SERIES



PUMP with 1" BSP PORTS

- * Constructed from marine quality bronze and stainless steel
- * Self-prime from dry up to 2.4m
- * Easy to service and maintain
- * Will tolerate abrasive wear
- * Handles hard and soft solids without clogging
- * Can pump in either direction
- * Will not airlock

DOC598/12

