



RSB

Kinematic and Rotary Mount with 3 adjusters

Optical Tables

Stages

Optical Mounts

Components

Motion Systems

Education Systems

Lasers

Optics & Crystals

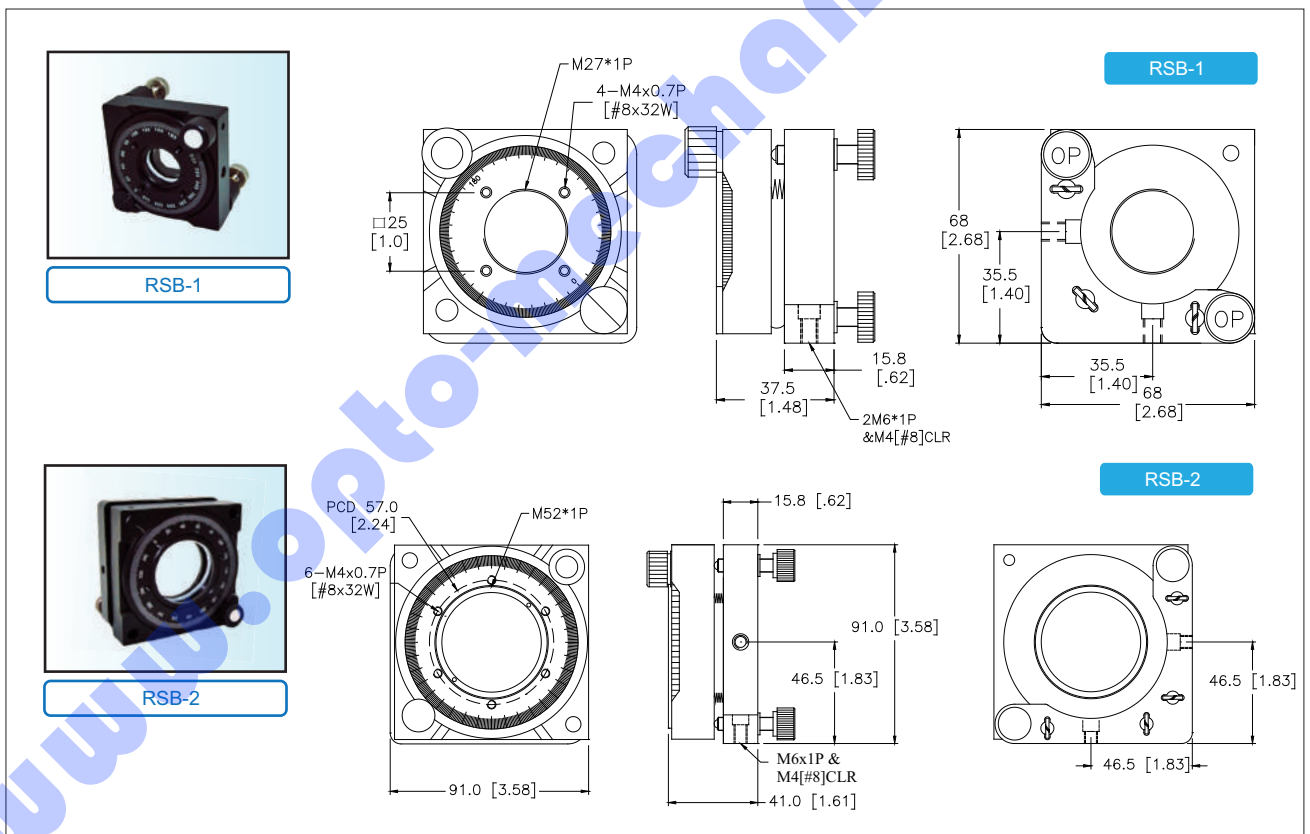
Other Equipment



Overview

- For Optics: Ø 1", 2"
- Material : Aluminum
- Metric / Imperial Version
- 100 pitch screws available
- To order Imperial model please add * I- * to Item

Specification & Item Numbers

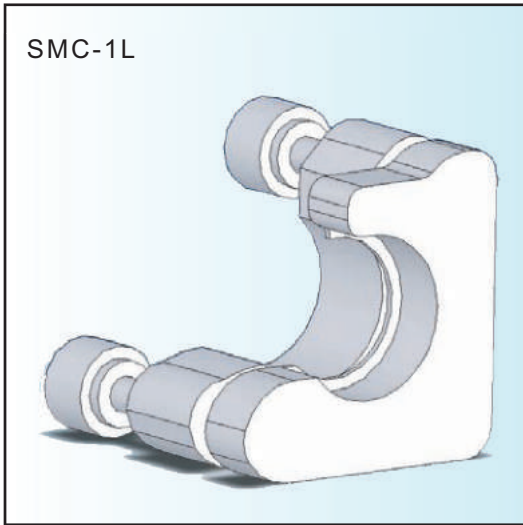


Item Numbers

Item Number	Optics Dia Ø mm (inch)	Center Height	Front Plate Thickness	Back Plate Thickness
RSB-1	25 (1")	35.5 (1.4")	17.5 (0.69")	15.8 (0.62")
RSB-2	50.0(2")	46.5 (1.83")	21.0 (0.83")	15.8 (0.62")



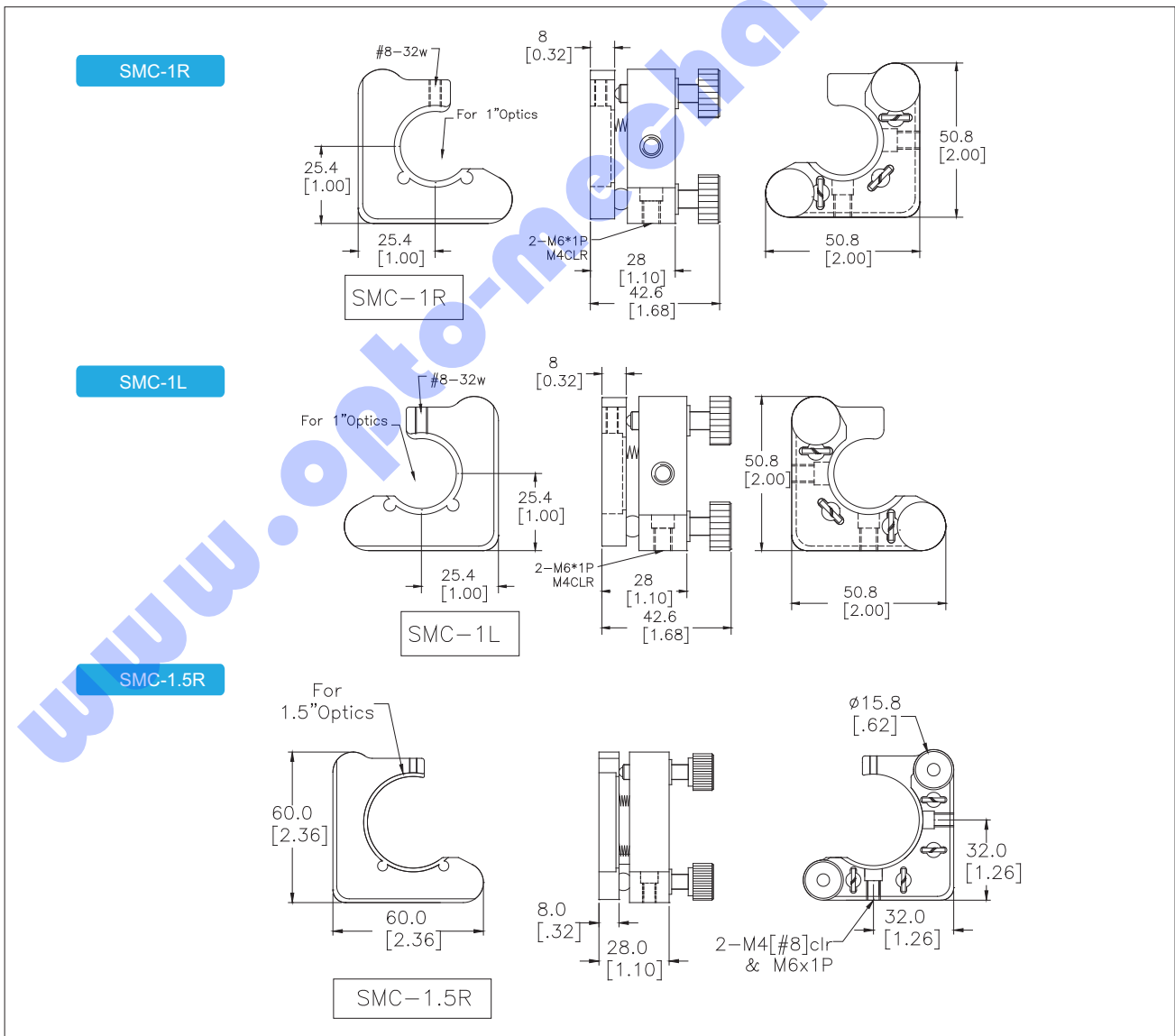
Stainless Steel C Mounts



Overview

- Tilt Range : $\pm 4^\circ$
- C opening frame design
- Features θ_x and θ_y 2-axis adjusters
- Nylon tipped setscrew to fix lens
- Exclusive 130 tpi adjusters available (alternative)
- To order Imperial model please add * I - * to Item

Specification & Item Numbers



- Optical Tables
- Stages
- Optical Mounts
- Components
- Motion Systems
- Education Systems
- Lasers
- Optics & Crystals
- Other Equipment



Optical Tables

Stages

Optical Mounts

Components

Motion Systems

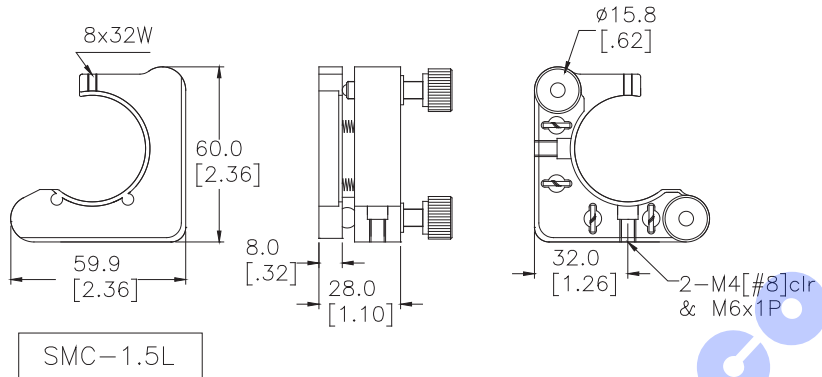
Education Systems

Lasers

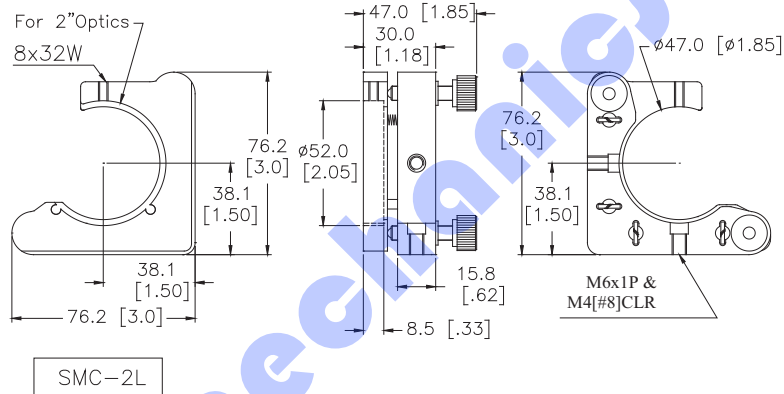
Optics & Crystals

Other Equipment

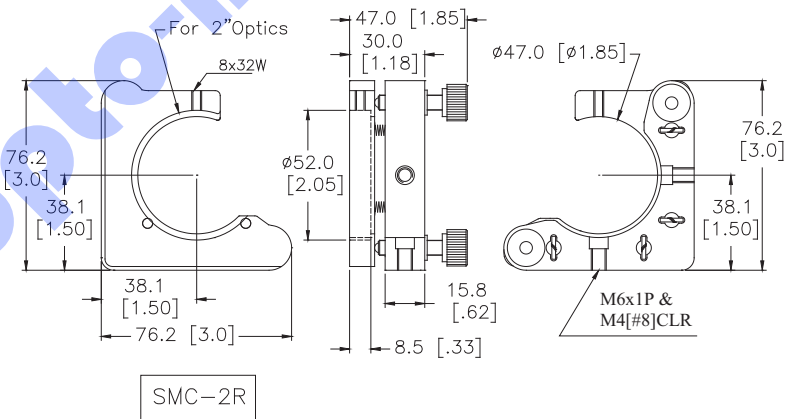
SMC-1.5L



SMC-2L



SMC-2R



Item Numbers

Item Number	Drive Type	Optics Dia ϕ mm (inch)	Optics Thickness ϕ mm	Center Height ϕ mm (inch)
SMC-1L / R (F)	100 / 130 (F)	25 (1")	3~8	25.4 (1")
SMC-1.5L / R (F)	100 / 130 (F)	38 (1.5")	4~10	38.1 (1.5")
SMC-2L / R (F)	100 / 130 (F)	50 (2")	4~10	38.1 (1.5")

- **100** = 100 pitch screw / **130** = 130 pitch screw / To order Imperial version, please add ***I-*** to item number



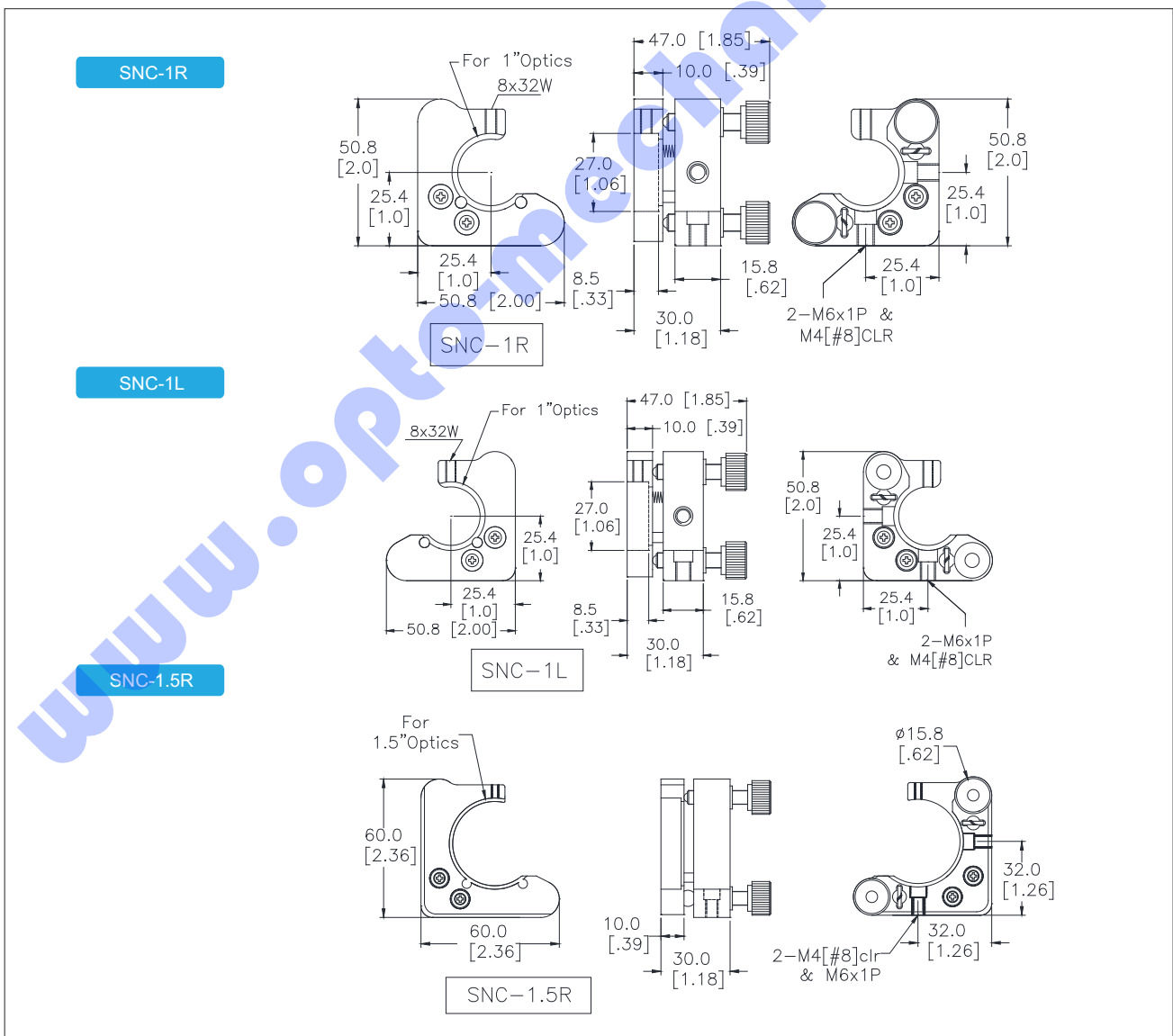
Stainless Steel C Mounts



Overview

- For Optics: Ø 1", 1.5", 2"
- Optics Thickness: 3~8mm
- Adjustable Axis: θ_x, θ_y
- Tilt Range: $\pm 4^\circ$
- Right / Left versions
- Teflon tipped setscrew to fix lens
- Unique Disc-Spring design
- Material : Stainless steel
- Metric / Imperial Version
- 100 pitch / 130 pitch screws available
- To order Imperial model please add * I- * to Item
- To order 130 pitch screws please add * F * to item

Specification & Item Numbers



- Optical Tables
- Stages
- Optical Mounts
- Components
- Motion Systems
- Education Systems
- Lasers
- Optics & Crystals
- Other Equipment



Optical Tables

Stages

Optical Mounts

Components

Motion Systems

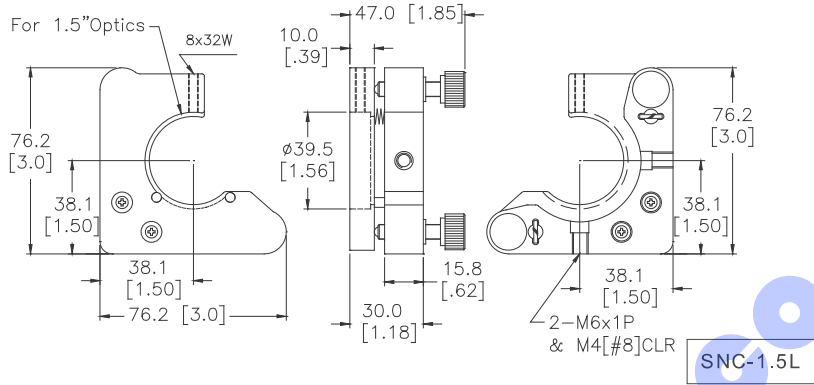
Education Systems

Lasers

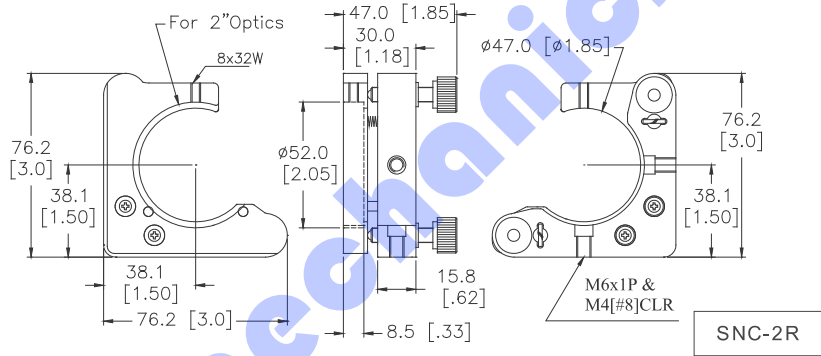
Optics & Crystals

Other Equipment

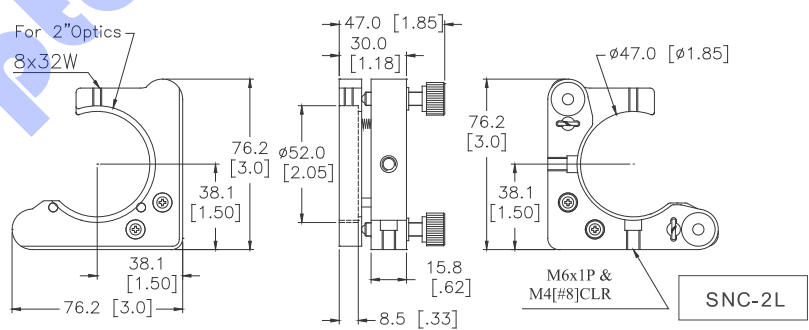
SNC-1.5L



SNC-2R



SNC-2L



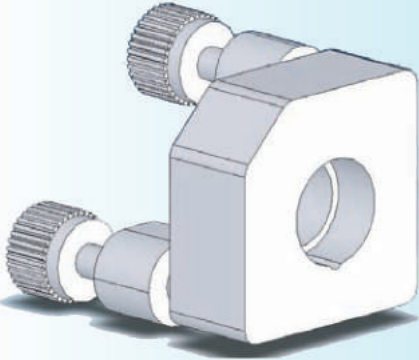
Item Numbers

Item Number	Drive Type	Optics Dia Ø mm (inch)	Optics Thickness Ø mm	Center Height Ø mm (inch)
SNC-1L / R (F)	100 / 130 (F)	25 (1")	3~6	25.4 (1")
SNC-1.5L / R (F)	100 / 130 (F)	38 (1.5")	4~8	38.1 (1.5")
SNC-2L / R (F)	100 / 130 (F)	50 (2")	4~8	38.1 (1.5")

- 100 = 100 pitch screw / 130 = 130 pitch screw / To order Imperial version, please add *I-* to item number

Stainless Steel Round Mounts

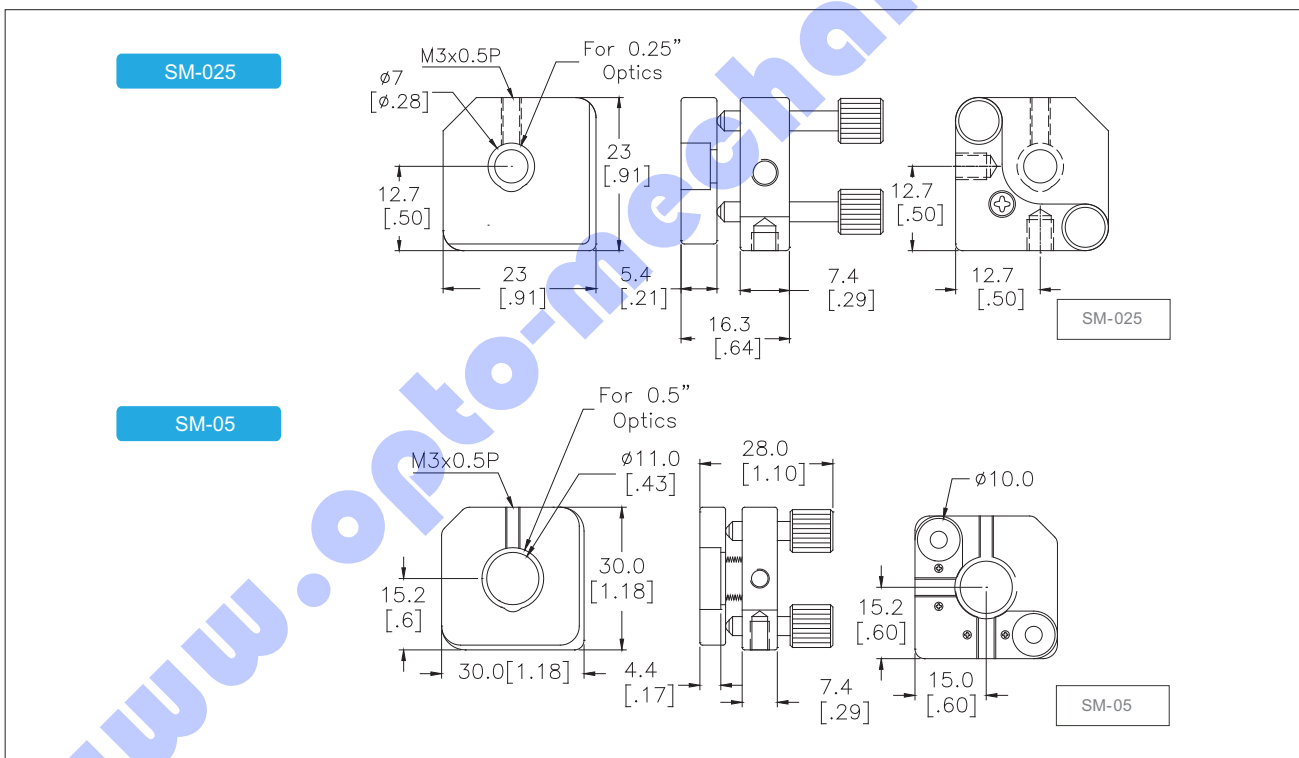
SM-05



Overview

- For Optics: \varnothing 0.25", 0.5"
- Adjustable Axis: θ_x , θ_y
- Weight: 0.03 kg
- Teflon tipped setscrew to fix lens
- L base heighten mounting frame
- Unique Disc-Spring design
- Material : Stainless steel
- Metric / Imperial Version
- 100 pitch / 130 pitch screws available
- To order Imperial model please add * I - * to Item
- To order 130 pitch screws please add * F * to item

Specification & Item Numbers



Item Numbers

Item Number	Drive Type	Optics Dia \varnothing mm (inch)	Optics Thickness \varnothing mm	Center Height \varnothing mm (inch)
SM-025 (F)	100 / 130 (F)	6.35 (0.25")	3~6	12.7 (0.51")
SM-05 (F)	100 / 130 (F)	12.5 (0.5")	3~6	15 (0.6")

- **100** = 100 pitch screw / **130** = 130 pitch screw
- To order Imperial version, please add *I-* to item number



SMN

Stainless Steel Round Mounts

Optical Tables

Stages

Optical Mounts

Components

Motion Systems

Education Systems

Lasers

Optics & Crystals

Other Equipment

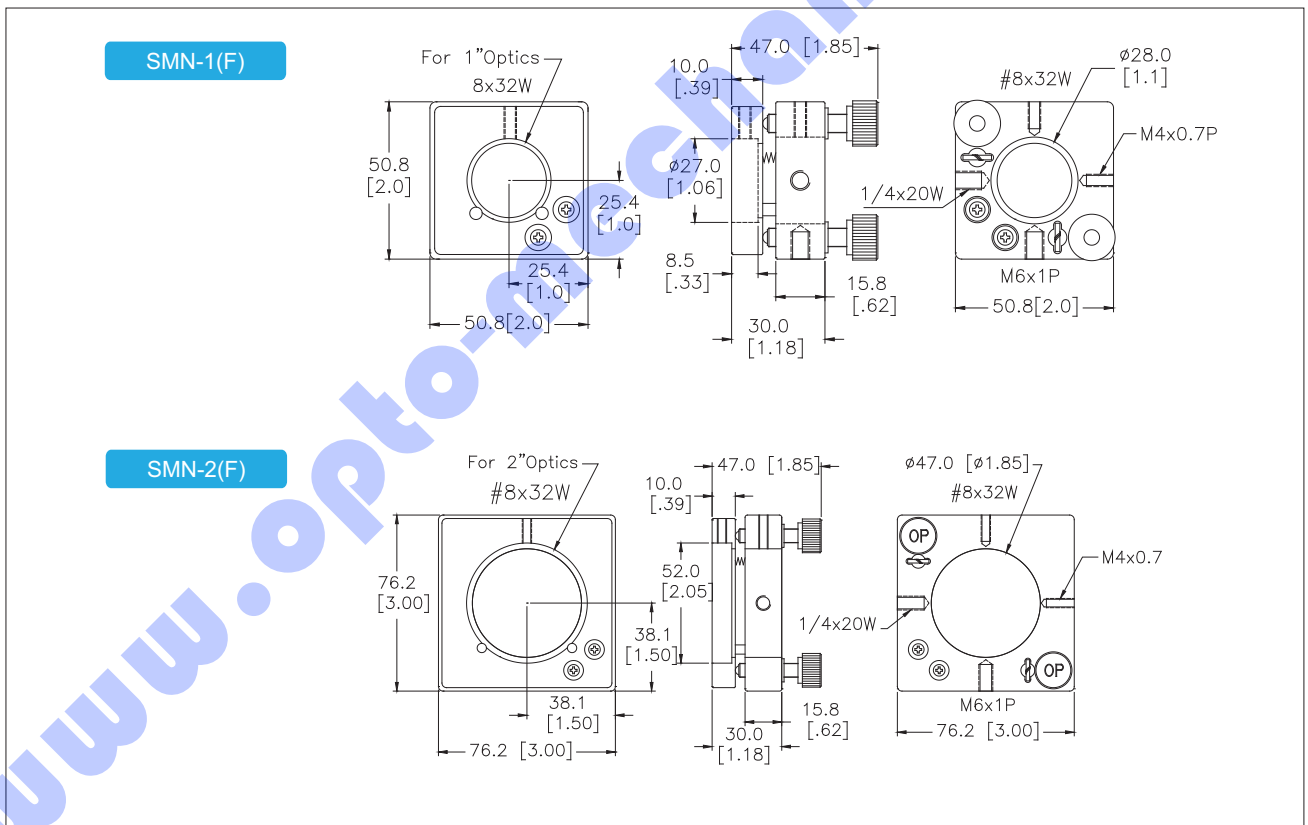
SMN-1



Overview

- For Optics: Ø 1", 2"
- Adjustable Axis: θ_x , θ_y
- Strong Disc Spring design
- Teflon tipped setscrew to fix lens
- Material : Stainless steel
- Metric / Imperial Version
- 100 pitch / 130 pitch screws available
- To order Imperial model please add * I- * to Item
- To order 130 pitch screws please add * F * to item

Specification & Item Numbers



Item Numbers

Item Number	Drive Type	Optics Dia Ø mm (inch)	Optics Thickness Ø mm	Center Height Ø mm (inch)
SMN-1 (F)	100 / 130 (F)	25.0 (1")	3-8	25.4 (1")
SMN-2 (F)	100 / 130 (F)	50.0 (2")	3-8	38.1 (1.5")

• 100 = 100 pitch screw / 130 (F) = 130 pitch screw / To order Imperial model please add * I- * to Item number

Stainless steel Round mounts



Overview

- For Optics: Ø 1", 1.5", 2"
- Adjustable Axis: θ_x, θ_y
- Strong Disc Spring design
- Teflon tipped setscrew to fix lens
- Material : Stainless steel
- Metric / Imperial Version
- To order Imperial model please add * I - * to Item
- To order 130 pitch screws please add * F * to item

Optical Tables

Stages

Optical Mounts

Components

Motion Systems

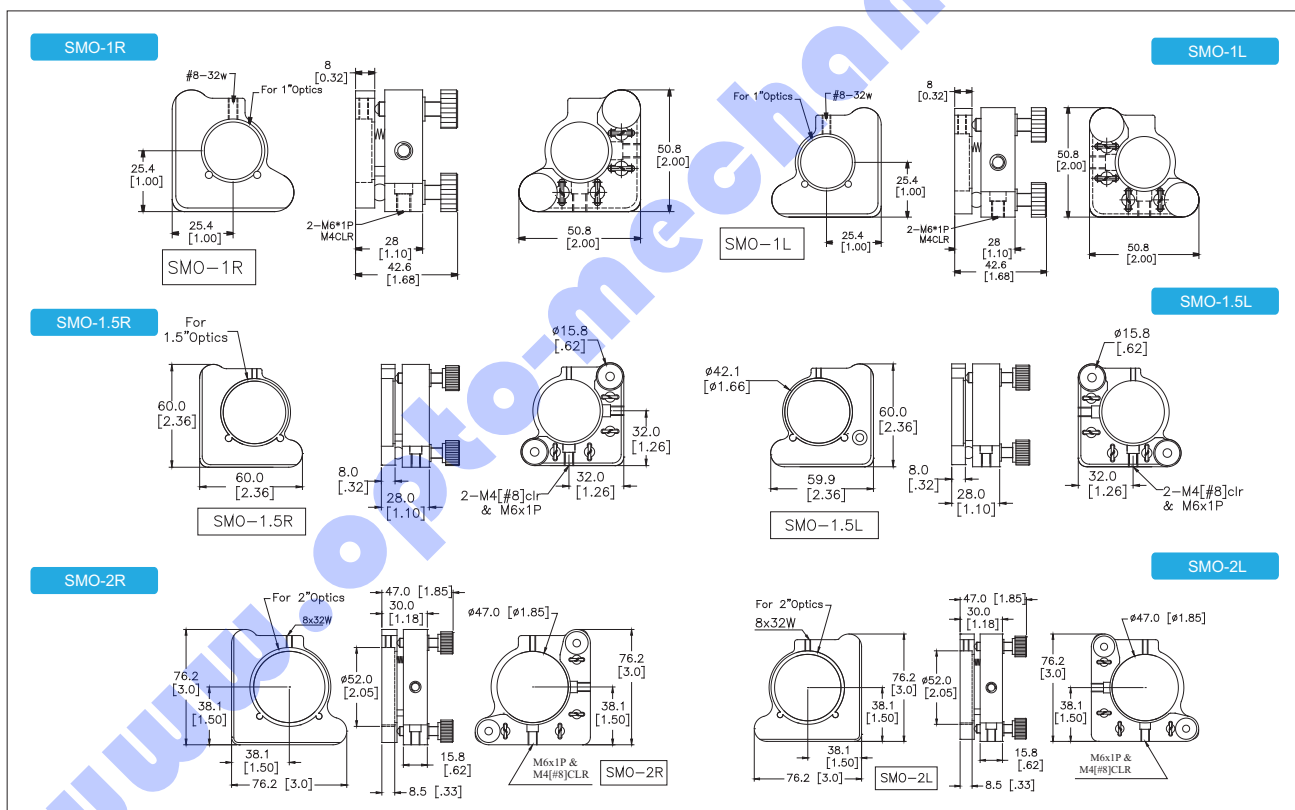
Education Systems

Lasers

Optics & Crystals

Other Equipment

Specification & Item Numbers



Item Numbers

Item Number	Drive Type	Optics Dia Ø mm (inch)	Center Height Ø mm (inch)	Weight (kg)
SMO-1L / R (F)	100 / 130 (F)	25.0 (1")	25.4 (1")	0.3
SMO-1.5L / R (F)	100 / 130 (F)	38.1 (1.5")	32.0 (1.26")	0.38
SMO-2L / R (F)	100 / 130 (F)	50 (2")	50 (2")	0.45

• **100** = 100 pitch screw / **130 (F)** = 130 pitch screw / To order Imperial model please add * I - * to Item number



SN

Stainless Steel Round Mounts

Optical Tables

Stages

Optical Mounts

Components

Motion Systems

Education Systems

Lasers

Optics & Crystals

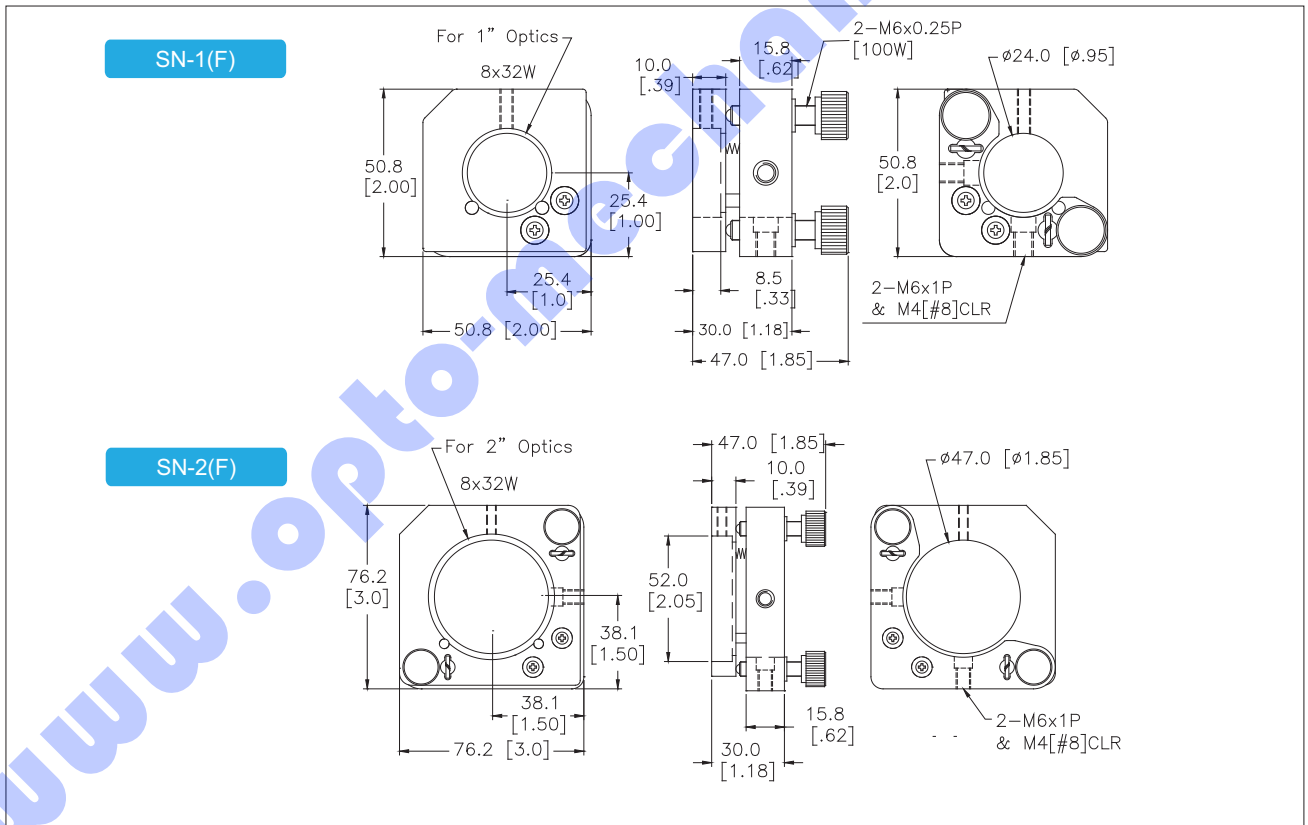
Other Equipment



Overview

- For Optics: Ø 1", 2"
- Adjustable Axis: θ_x, θ_y
- Travel Range: $\pm 4^\circ$
- Weight: 0.13 kg (SN-1) / 0.22 kg (SN-2)
- Teflon tipped setscrew to fix lens
- Unique Disc-Spring design
- Material : Stainless steel
- Metric / Imperial Version
- 100 pitch / 130 pitch screws available
- To order Imperial model please add * I - * to Item
- To order 130 pitch screws please add * F * to item

Specification & Item Numbers



Item Numbers

Item Number	Drive Type	Optics Dia Ø mm (inch)	Optics Thickness Ø mm	Center Height Ø mm (inch)
SN-1 (F)	100 / 130 (F)	25.0 (1")	3~8	25.4 (1")
SN-2 (F)	100 / 130 (F)	50.0 (2")	4~10	38.1 (1.5")

• 100 = 100 pitch screw / 130 (F) = 130 pitch screw / To order Imperial model please add * I - * to Item number



Stainless steel Round mounts



Overview

- For Optics: \varnothing 1", 1.5", 2"
- Adjustable Axis: θ_x , θ_y
- Travel Range: $\pm 4^\circ$
- Weight: 0.3 kg (SNO-1) / 0.38 kg (SNO-1.5) / 0.45 kg (SNO-2)
- Right / Left versions
- Teflon tipped setscrew to fix lens
- Unique Disc-Spring design
- Material : Stainless steel
- Metric / Imperial version
- 100 pitch / 130 pitch screws available
- To order Imperial model please add * I * to Item
- To order 130 pitch screws please add * F * to item

Optical Tables

Stages

Optical Mounts

Components

Motion Systems

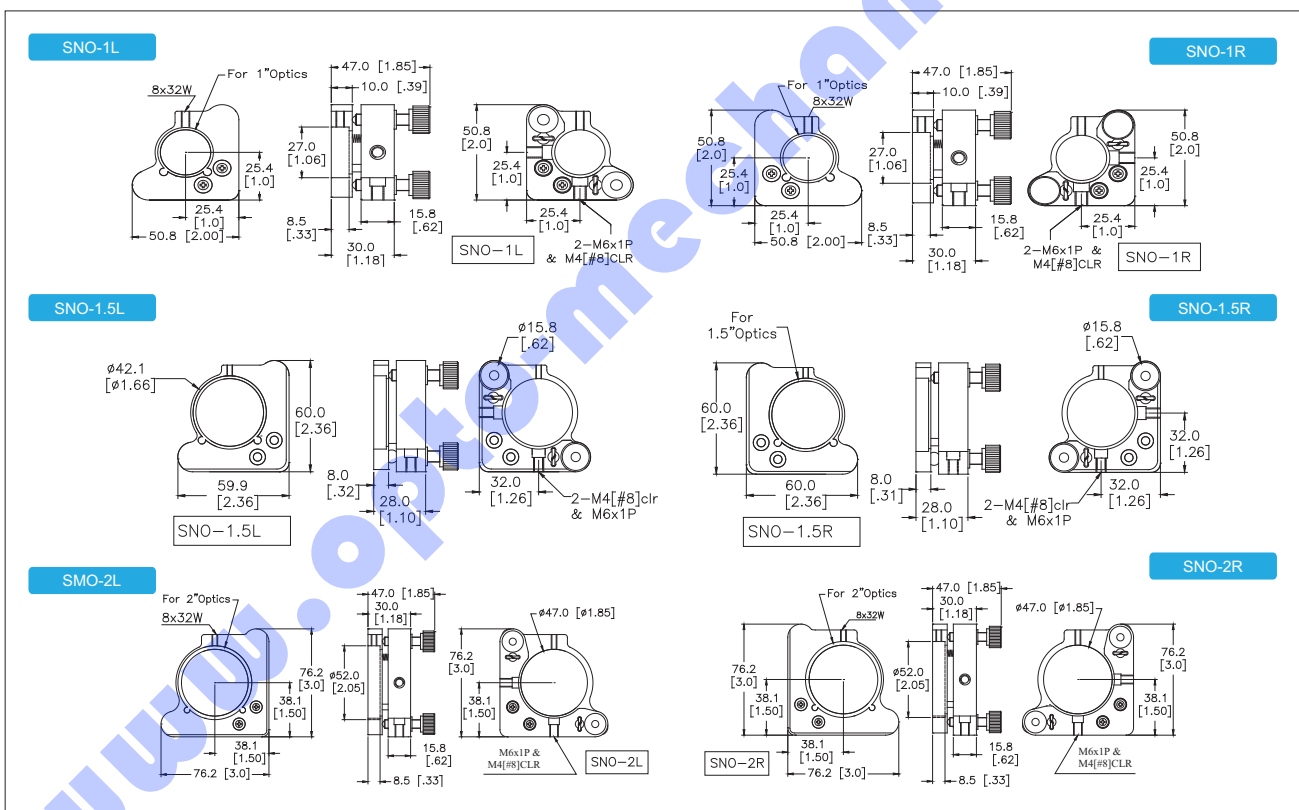
Education Systems

Lenses

Optics & Crystals

Other Equipment

Specification & Item Numbers



Item Numbers

Item Number	Drive Type	Optics Dia \varnothing mm (inch)	Center Height \varnothing mm (inch)	Optics Thickness \varnothing mm (inch)	Weight (kg)
SNO-1L / R (F)	100 / 130 (F)	25.0 (1")	25.4 (1")	3~8	0.3
SNO-1.5L / R (F)	100 / 130 (F)	38.1 (1.5")	32.0 (1.26")	4~10	0.38
SNO-2L / R (F)	100 / 130 (F)	50 (2")	38.1 (1.5")	4~10	0.45

- **100** = 100 pitch screw / **130 (F)** = 130 pitch screw / To order Imperial model please add * I * to Item number



ALH

Compact Gimbal Mirror Mounts

Optical Tables

Stages

Optical Mounts

Components

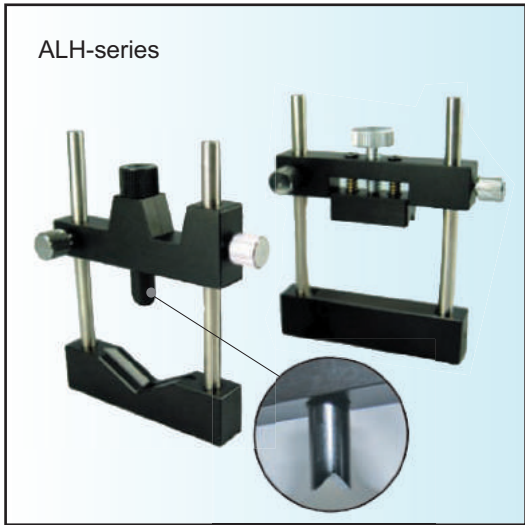
Motion Systems

Education Systems

Lasers

Optics & Crystals

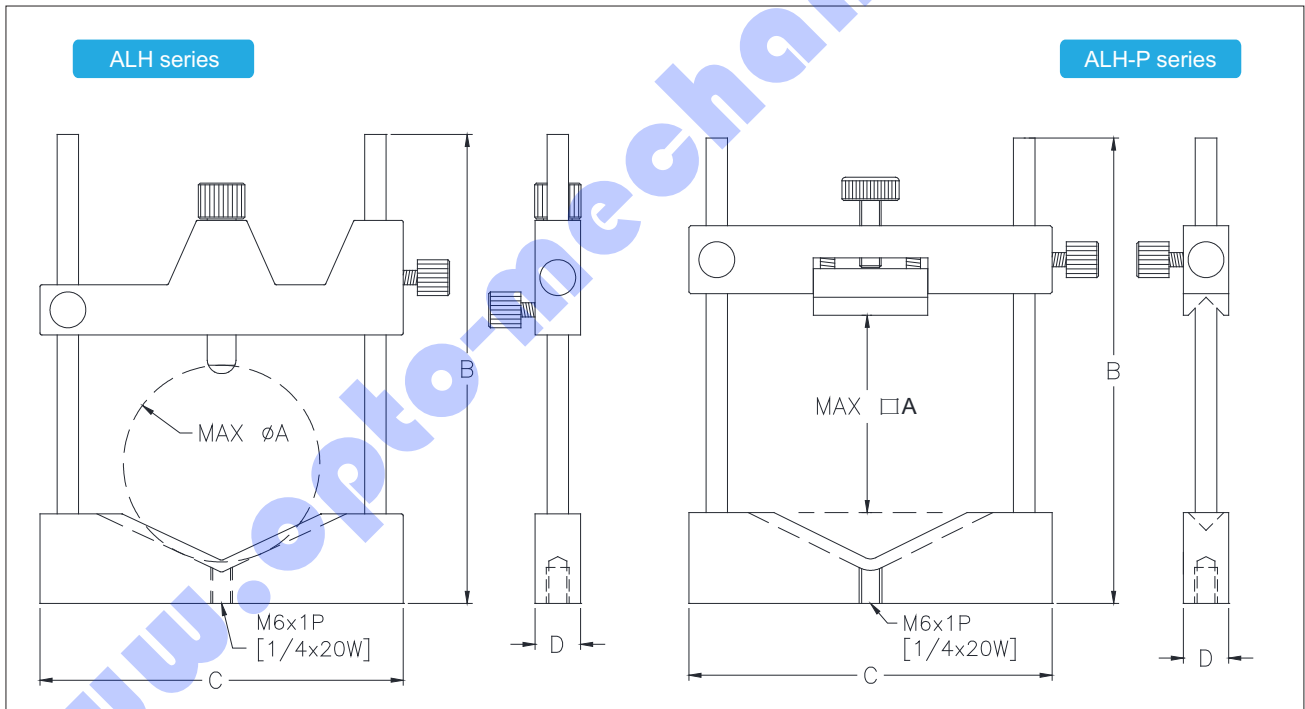
Other Equipment



Overview

- For Optics: Ø2", 3", 5"
- ALH-series with V shape base to mount round optic
- ALH-P series with Plane base to mount rectangular optic
- Easy optics insertion
- Material : Aluminum
- Metric Version
- 100 pitch screws available
- To order Imperial model please add * I- * to Item

Specification & Item Numbers



Item Numbers

Item Number	Applicable Element Shape	A mm(inch)	B mm(inch)	C mm(inch)	D mm(inch)	Weight (mm)
ALH-2	Round	Ø52 (2.05")	10.0 (2.05")	76.2 (3.0")	12.7 (0.5")	0.14
ALH-3	Round	Ø78 (3.05")	76.2 (3.0")	101.6 (4.0")	12.7 (0.5")	0.22
ALH-5	Round	Q128 (5.05")	12.7 (0.5")	152.4 (6.0")	15.8 (0.63")	0.46
ALH-2P	Rectangular	Ø52 (2.05")	10.0 (2.05")	76.2 (3.0")	12.7 (0.5")	0.14
ALH-3P	Rectangular	Ø78 (3.05")	76.2 (3.0")	101.6 (4.0")	12.7 (0.5")	0.22
ALH-5P	Rectangular	Q128 (5.05")	12.7 (0.5")	152.4 (6.0")	15.8 (0.63")	0.46

Adjustable Radius Chucks



Overview

- For Optics: Ø 2", 3"
- Optics can be easily inserted, secured and removed
- Positive optic loading without risk of damage
- Fine centering adjustability
- Material : Aluminum
- Metric Version
- 100 pitch screws available
- To order Imperial model please add * I- * to Item
- To order 130 pitch screws please add * F * to item

Optical Tables

Stages

Optical Mounts

Components

Motion Systems

Education Systems

Lasers

Optics & Crystals

Other Equipment

Specification & Item Numbers

The ARC-Series 2 and 3 are adjustable radius chucks which optics can be easily inserted and removed securely. Both featuring non-rotating V-grooved tips and lockable screws can fix the optics firmly.

ARC-2 / 3

A

Screw A can be moved up and down to hold different sizes of optic in place

B

Screw B functions as a lock nod to hold screw A in place

Item#	A	B	C	D	E	UNIT:
ARC-2	10~50	75	84~115	36.5	82~100	mm
ARC-3	50~82	100	105~137	49.5	108~135	

Item Numbers

Item Number	A mm(inch)	B mm(inch)	C mm(inch)	D mm(inch)	Weight (kg)
ARC-2	10~50 (0.39~2")	75 (2.95")	84~115(3.31~4.53")	36.5 (1.44")	0.9
ARC-3	50~82(2~3.23")	100 (3.94")	105~137 (4.13~5.4")	49.5 (1.95")	0.12



FW1

Filter Wheels Holder

Optical Tables

Stages

Optical Mounts

Components

Motion Systems

Education Systems

Lasers

Optics & Crystals

Other Equipment

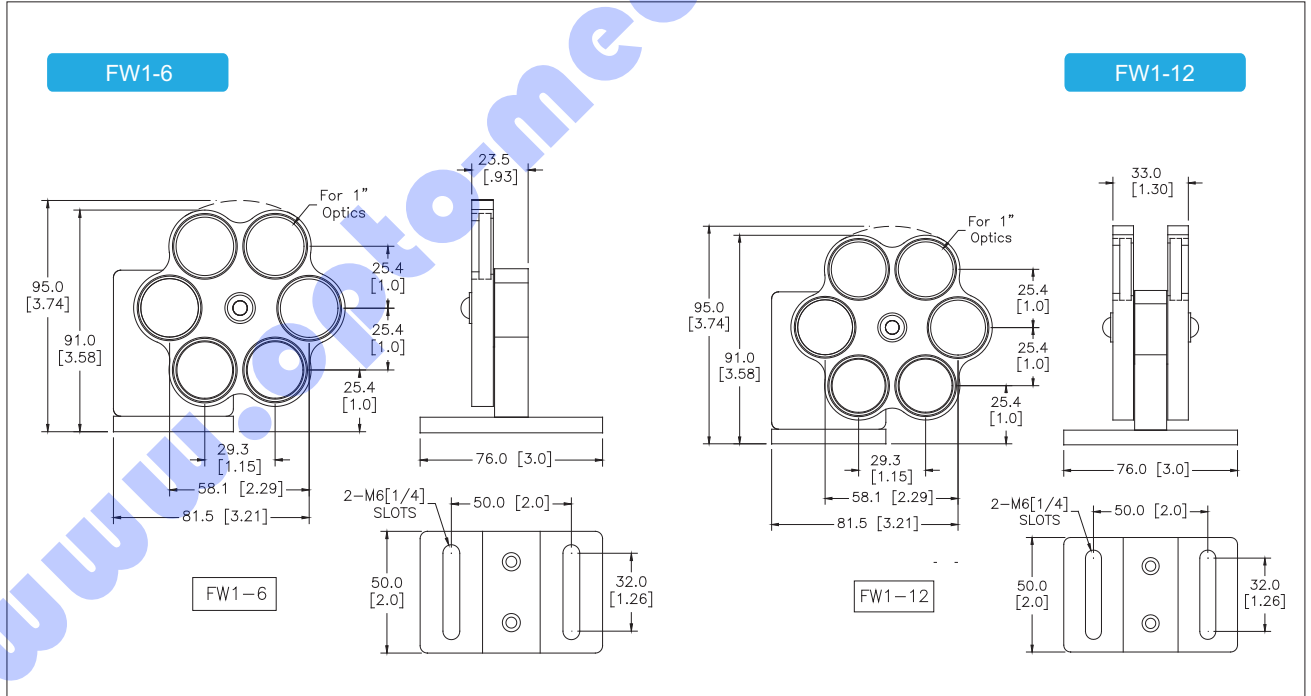


Overview

- Filter Diameter: Ø 1"
- Each wheel consists of six 1"-diameter filter
- FW1-6 with single-wheel and FW1-12 with dual
- Post or plate mountable
- Material: Aluminum
- Metric version
- To order Imperial model please add * I- * to Item

Specification & Item Numbers

The FW1-series filter wheels provide a compact, convenient filter organizer complete with mechanical indexing for precise alignment. Two wheel options are provided to accommodate ψ 1" filters in 6, and 12 configuration. The threaded bores contain small rear-located retaining walls that provide a solid stop for fastening filters while maintaining a large clear aperture.

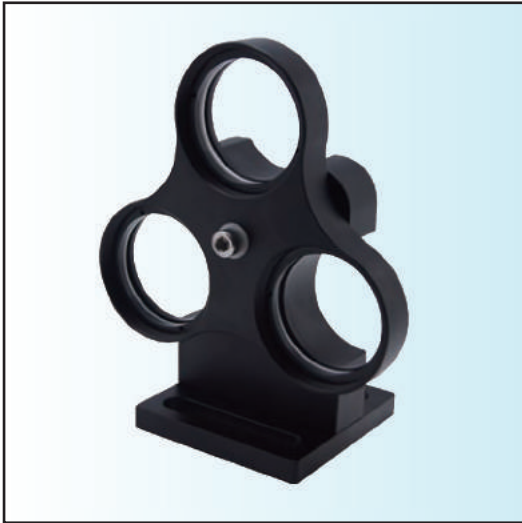


Item Numbers

Item Number	Filter Diameter Ø mm (inch)	Effective Diameter Ø mm (inch)	Thickness mm (inch)	Weight (mm)
FW1-6	25.0 (1")	23 (0.9")	0-5 (0.2")	0.22
FW1-12	25.0 (1")	23 (0.9")	0-5 (0.2")	0.28



Filter Wheels Holder



Overview

- Filter Diameter: Ø2"
- Each wheel consists of three 2"-diameter filter
- Post or plate mountable
- Material: Aluminum
- Metric version

Optical Tables

Stages

Optical Mounts

Components

Motion Systems

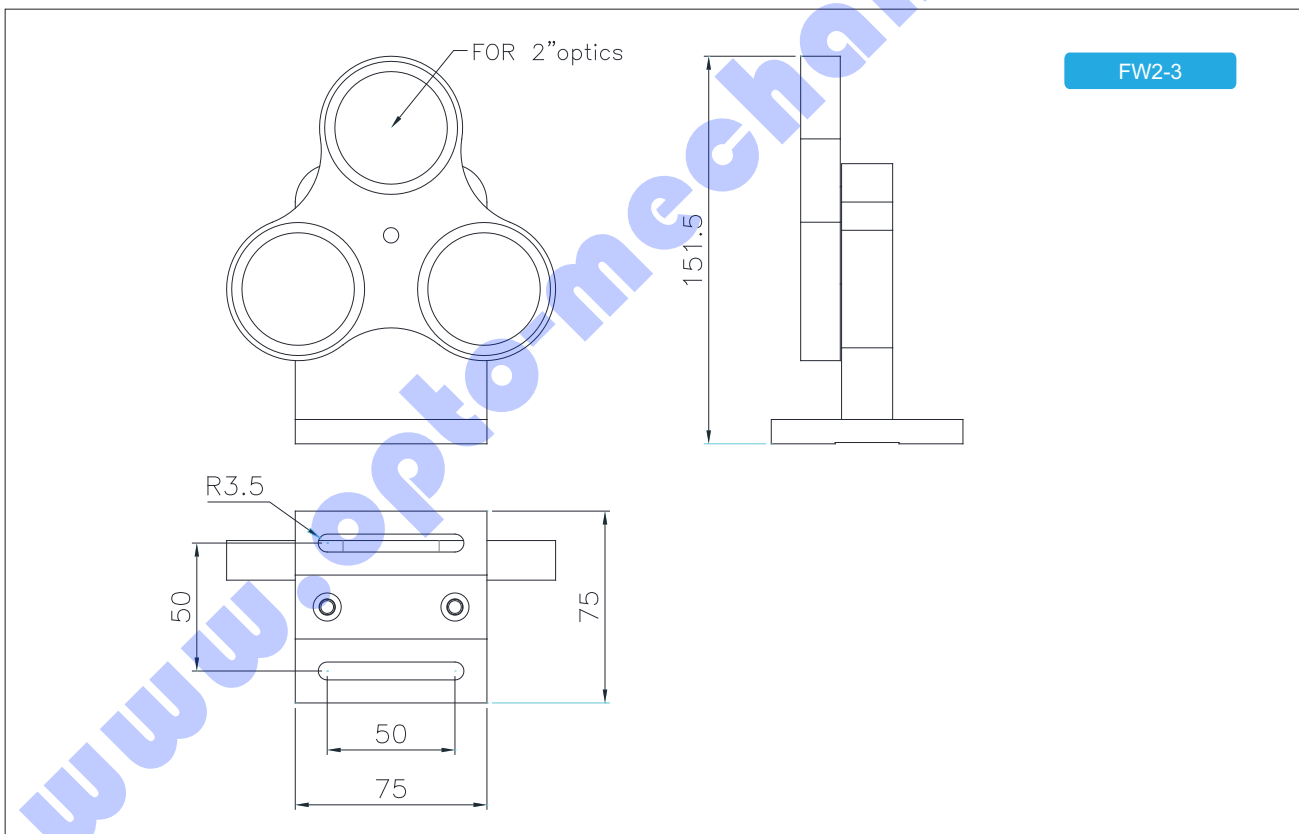
Education Systems

Lasers

Optics & Crystals

Other Equipment

Specification & Item Numbers



Item Numbers

Item Number	Filter Diameter Ø mm (inch)	Effective Diameter Ø mm (inch)	Thickness mm (inch)	Weight (mm)
FW2-3	50 (2")	44 (1.7")	0~5 (0.2")	0.4



LNR

Lens Holders

Optical Tables

Stages

Optical Mounts

Components

Motion Systems

Education Systems

Lasers

Optics & Crystals

Other Equipment



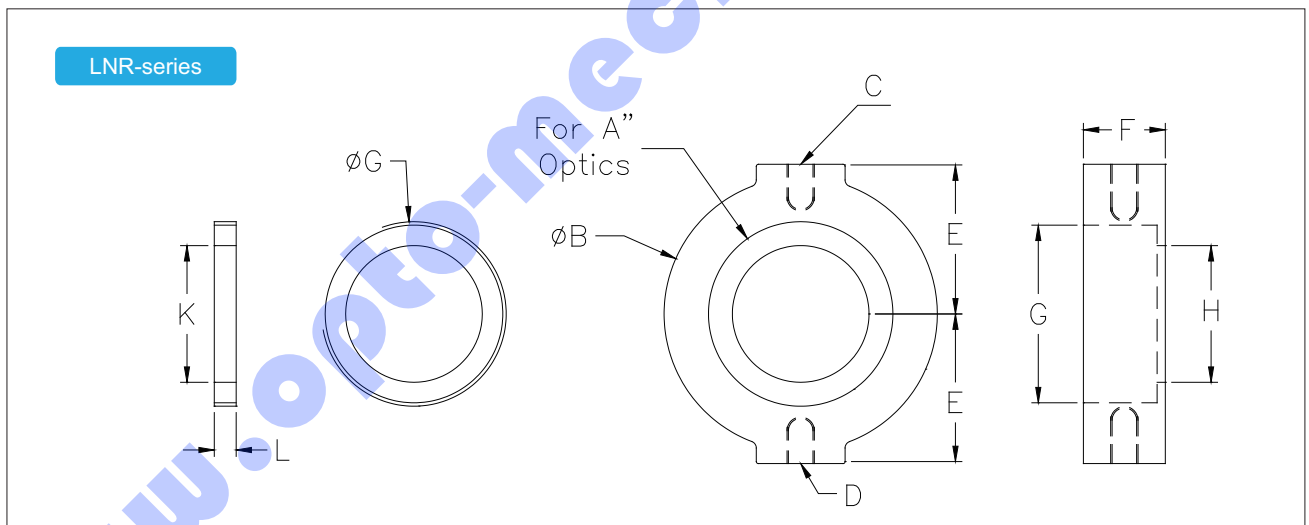
LNR-series

Overview

- For optic: Ø 0.3", 0.5", 1", 1.2", 1.5", 2", 3, 4"
- For lenses from 6.0 to 76.2 mm (0.25 ~ 3") in diameter
- Weight: 0.01~0.12 kg
- Economical and convenient lens mounting
- Teflon ring with threaded cap ring to fit various of thickness
- Material : Aluminum
- Metric Version
- 100 pitch screws available

Specification & Item Numbers

The LNR lens holder is convenient, inexpensive alternatives to our full-featured opto-mechanical mounts. Ideal for post-mounted and OEM level applications where adjustment is not required after initial position. Optics can be expected to be securely mounted via it's unique Retaining Ring design.



Item Number	A mm (inch)	B mm (inch)	C mm (inch)	D mm (inch)	E mm (inch)	F mm (inch)	G mm (inch)	ØH mm (inch)	ØK mm (inch)	ØL mm (inch)	Weight
LNR-03	6.0 (25")	18.0 (0.71")	M4x0.7P (8x32w)	M4x0.7P (8x32w)	10.0 (0.34")	9.5 (0.37")	M9x0.75P	5.0 (0.20")	5.0 (0.20")	2.5 (0.10")	0.01
LNR-05	12.5 (5")	23.0 (0.91")	M4x0.7P (8x32w)	M4x0.7P (8x32w)	14.0 (0.55")	9.5 (0.37")	M13.5x0.75P	9.0 (0.35")	9.0 (0.35")	3.0 (0.12")	0.02
LNR-1	25.0 (1.0")	40.0 (1.58")	M4x0.7P (8x32w)	M6x1P (1/4x20w)	22.0 (0.87")	12.0 (0.47")	M27x1P	23.0 (0.91")	20.0 (0.79")	3.0 (0.12")	0.02
LNR-1.2	30.0 (1.2")	40.0 (1.58")	M4x0.7P (8x32w)	M6x1P (1/4x20w)	22.0 (0.87")	12.0 (0.47")	M31x1P	26.0 (1.02")	25.0 (0.97")	3.0 (0.12")	0.04
LNR1.5	38.0 (1.5")	56.0 (2.2")	M4x0.7P (8x32w)	M6x1P (1/4x20w)	30.0 (1.18")	12.0 (0.47")	M39x0.75P	36.0 (1.41")	32.0 (1.25")	3.5 (0.14")	0.04
LNR-2	50.0 (2.0")	65.0 (2.56")	M6x1P (1/4x20w)	M6x1P (1/4x20w)	34.0 (1.34")	15.0 (0.59")	M52x1P	48.0 (1.89")	44.0 (1.37")	3.5 (0.14")	0.05
LNR-3	75.0 (3.0")	96.0 (3.78")	M6x1P (1/4x20w)	M6x1P (1/4x20w)	50.8 (2.0")	21.0 (0.53")	M78x1P	73.0 (2.88")	68.0 (2.67")	4.0 (0.16")	0.12
LNR-4	100 (4")	120 (4.72")	M6xP1 (1/4x20w)	M6xP1 (1/4x20w)	63.5 (2.5")	15.0 (0.59")	M101x1P	97 (3.81")	97 (3.81")	4.0 (0.15")	0.14
LNR-MO	Microscope Objectives	40.0 (l)	M4x0.7P (8x32w)	M6x1P (1/4x20w)	22.0 (0.87")	12.0 (0.47")	0.8"x36W Through hole	--	--	--	0.02

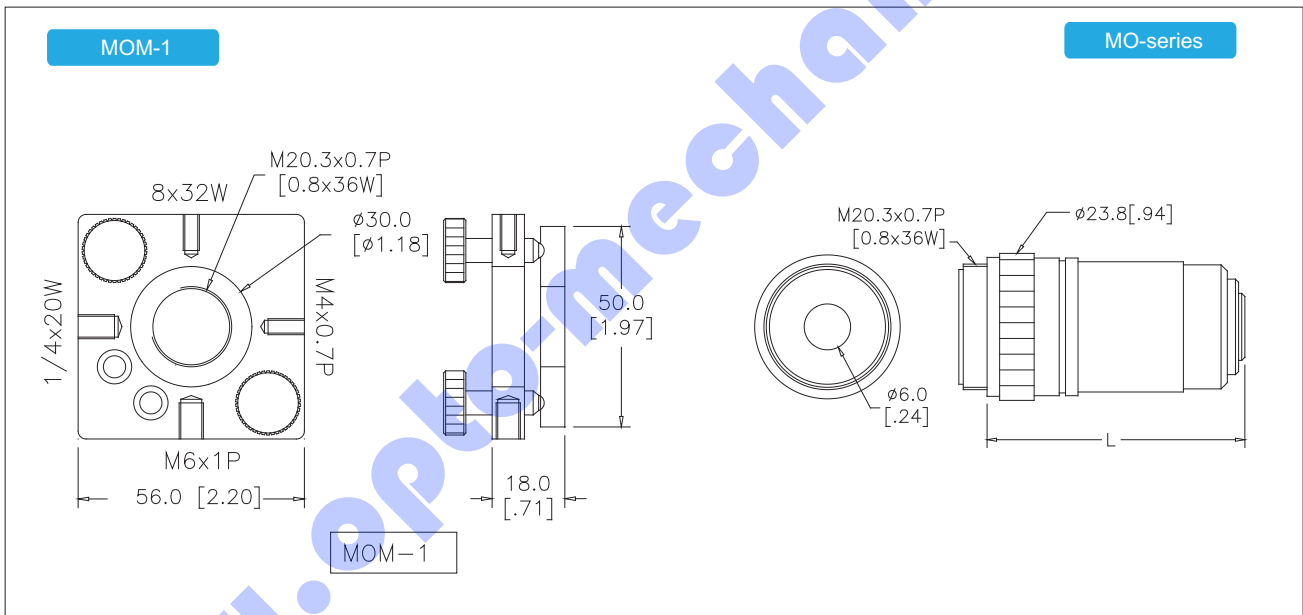
Objective Lens Tilt Mounts



Overview

- For standard objectives
- M20x0.3p thread
- Tilt Range: $\pm 4^\circ$
- Width: 56 mm (2.20")
- Height: 50 mm (1.97")
- Thickness: 18 mm (0.71")
- Material: Aluminum (Black anodized)

Specification & Item Numbers



• **100** = 100 pitch screw / **130 (F)** = 130 pitch screw / To order Imperial model please add *I-* to Item number

Item Number	Dive type	Travel Range	Adjustable Axis
MOM-1	100	$\pm 4^\circ$	x, y

Item Number	Focal Length	Working Distance (mm)	Numerical Aperture
MO-4X	31.05	18.2	0.10
MO-10X	16.25	6.3	0.25
MO-20X	6.89	1.73	0.40
MO-40X	4.59	0.53	0.65
MO-60X	3.06	0.25	0.85
MO-100X	1.9	0.18	1.25



SLM

Objective Lens Tilt Mounts

Optical Tables

Stages

Optical Mounts

Components

Motion Systems

Education Systems

Lasers

Optics & Crystals

Other Equipment

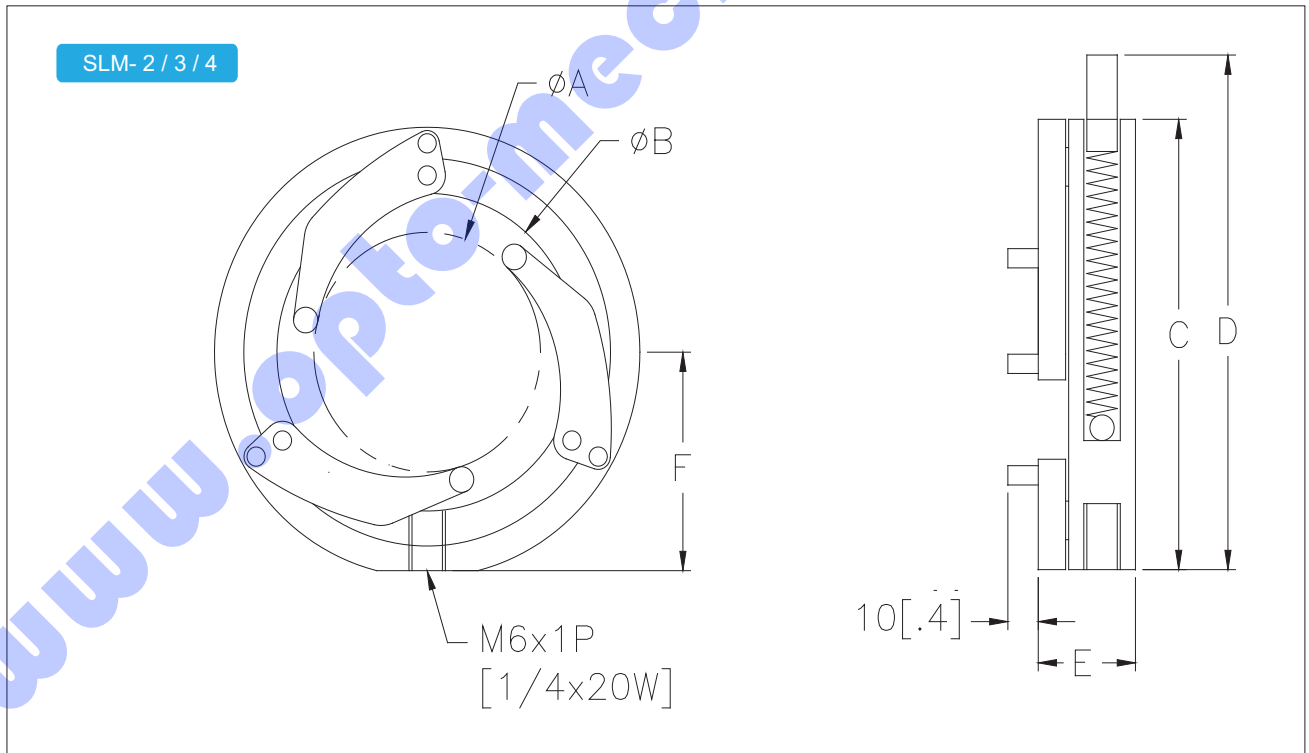


Overview

- For optic: Ø 2", 3", 4"
- Self-centering spring actuated design
- Reliably center and securely hold round optics
- Keep beam-axis height constantly while interchanging optics
- Material : Aluminum
- Metric Version
- 100 pitch screws available
- To order Imperial model please add * I-* to Item

Specification & Item Numbers

The SLM lens holders are designed for interchanging with different sizes of optics while keeping the optical axis height constantly. Featuring 3 spring-loaded fingers automatically grip optics ranging from Ø 2" to 3" and 4". This series also provides large clear apertures and a self-centering spring actuated design.



Item Number	A mm (inch)	B mm (inch)	C mm (inch)	D mm (inch)	E mm (inch)	F mm (inch)	Weight
SLM-2	5~51 (0.2~2")	47 (1.85")	77 (3.03")	94 (3.7")	11 (0.43")	38.1 (1.5")	0.15
SLM-3	5~76.2 (0.2~3")	72 (2.84")	111 (1.37")	130 (5.12")	16 (0.63")	55 (2.17")	0.20
SLM-4	5~102 (0.2~4")	100 (3.94")	141 (5.55")	160 (6.30")	16 (0.63")	70 (2.76")	0.33

Kinematic Rectangular Optic Mount



Overview

- For optic: \varnothing 0 ~ 1.5"
- 38 x 25 mounting platform
- Can be mounted directly on the platform
- Complete system include clamp
- Fine adjustment θ_x, θ_y each $\pm 4^\circ$ tilting range
- To order Imperial model please add *I-* to Item
- To order 130-pitch screws please add *F* to item

Optical Tables

Stages

Optical Mounts

Components

Motion Systems

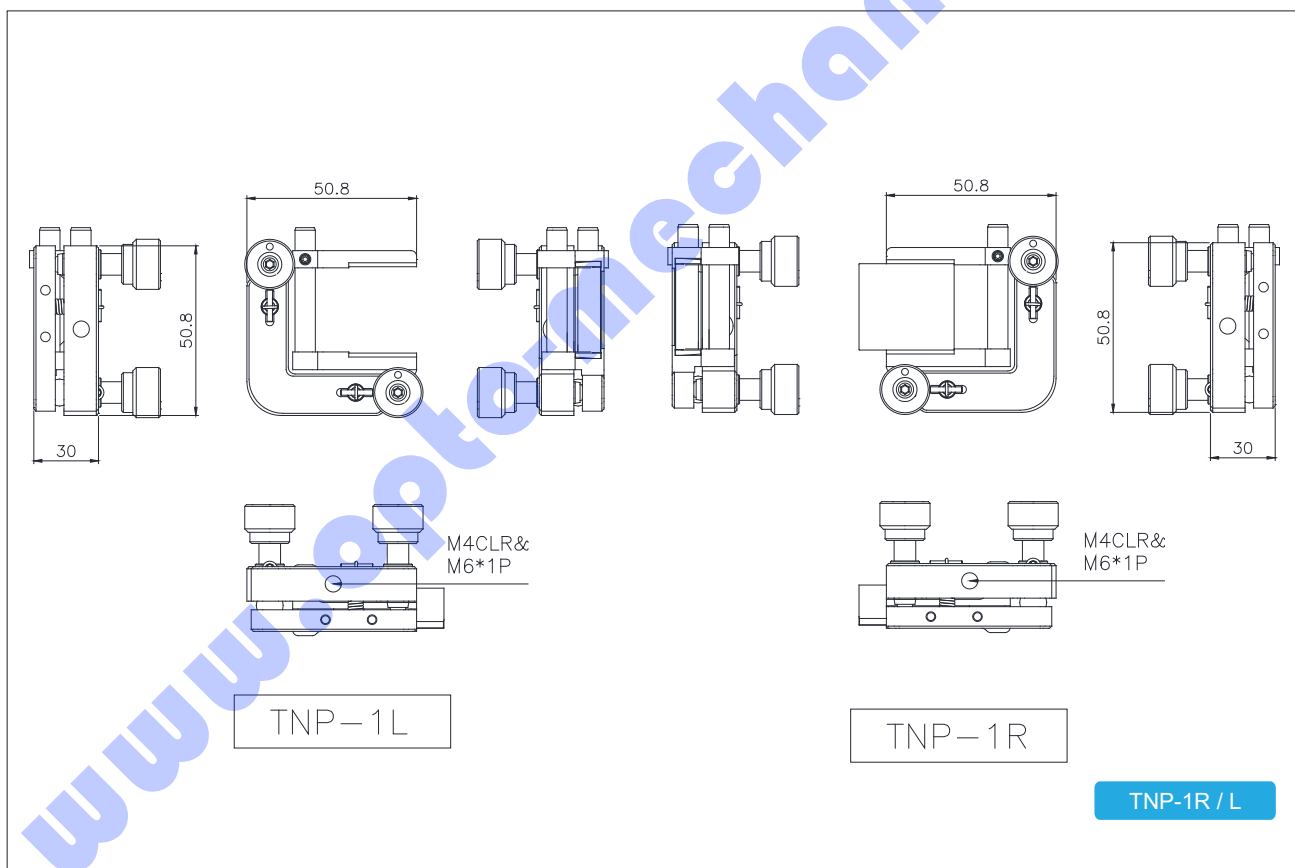
Education Systems

Lasers

Optics & Crystals

Other Equipment

Specification & Item Numbers



TNP-1R / L

Item Numbers

Item Number	Driver Type	Applicable Size of Prism (inch)	Surface Dimension mm (inch)	Travel Range (mm)	Weight (mm)
TNP-1L (F)	100 / 130 (F)	25.4(1")	50.8 x 55 (2x2.17")	$\pm 4^\circ$	0.14
TNP-1R (F)	100 / 130 (F)	25.4(1")	50.8 x 55 (2x2.17")	$\pm 4^\circ$	0.14

• **100** = 100 pitch screw / **130** = 130 pitch screw / To order Imperial version, please add *I-* to item number



FM3
SO

Kinematic Round Mounts with 3 adjusters

NEW

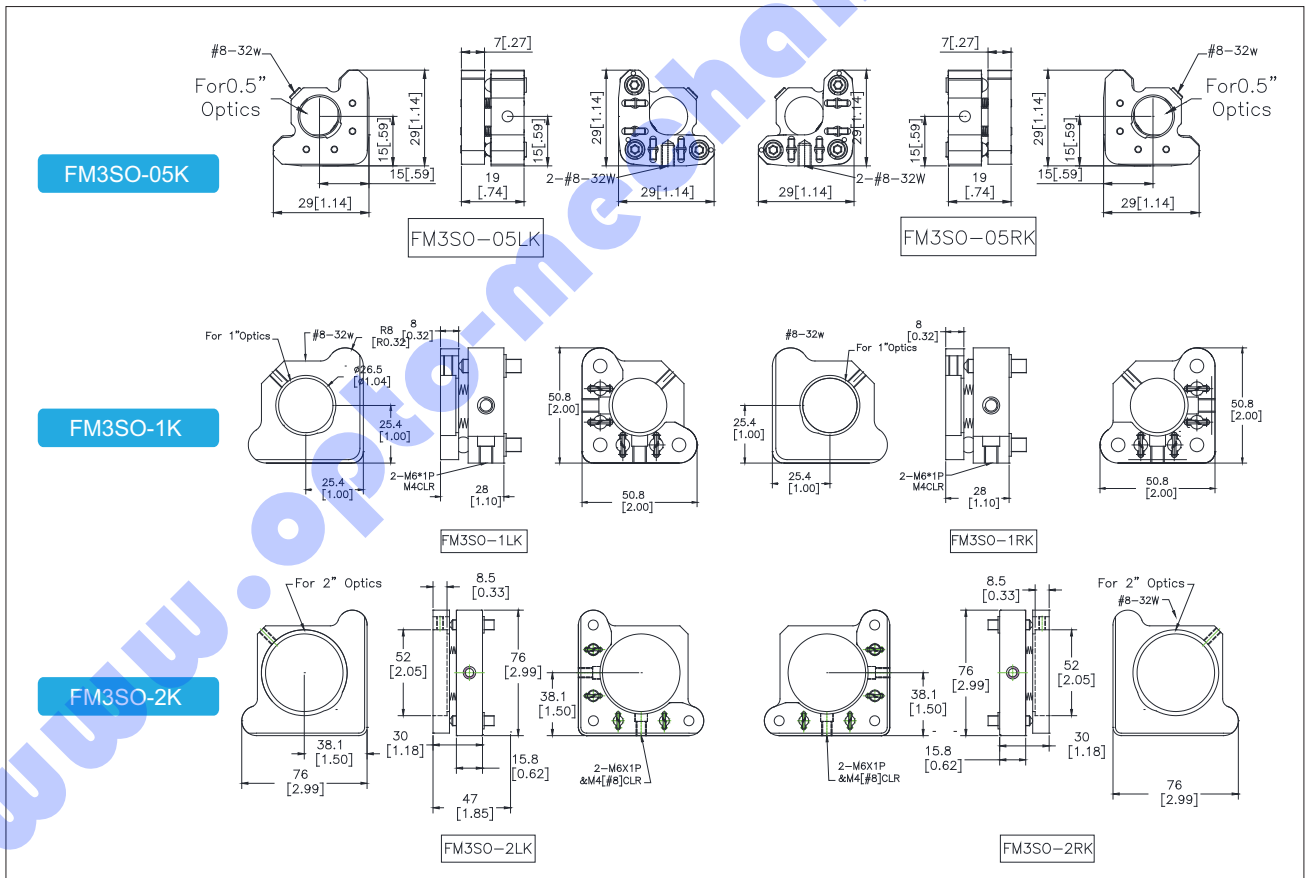


FM3SO-05K

Overview

- Features θ_x and θ_y 2 adjusters (standard precision 130 tpi fine screw)
- 100 tpi adjusters available
- Teflon Tip to protect and fix lens
- To order Imperial model please add * I - * to Item
- To order 130-pitch screws please add *F* to item

Specification & Item Numbers

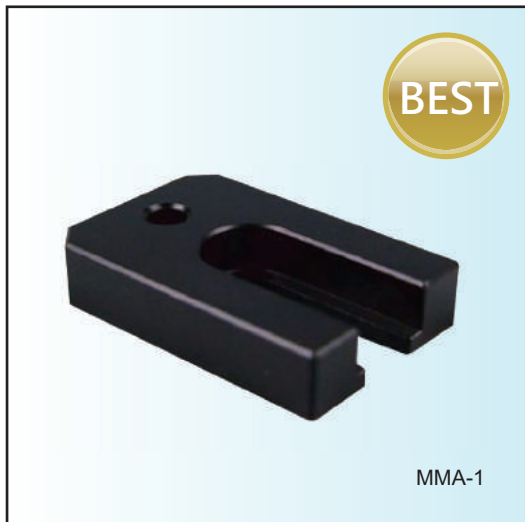


- **100** = 100 pitch screw / **130 (F)** = 130 pitch screw / To order Imperial model please add * I - * to Item number

Item Number	Optics Diameter \varnothing mm (inch)	Minimum Optics Thickness mm (inch)	Height of Holder Center mm (inch)	Travel Range (degree)	Weight (kg)
FM3SO-05K(F)	12.7 (0.5")	3	15	± 4	0.05
FM3SO-1K(F)	25.4 (1")	5	25.4	± 4	0.15
FM3SO-2K(F)	50.8 (2")	5	38.1	± 4	0.2



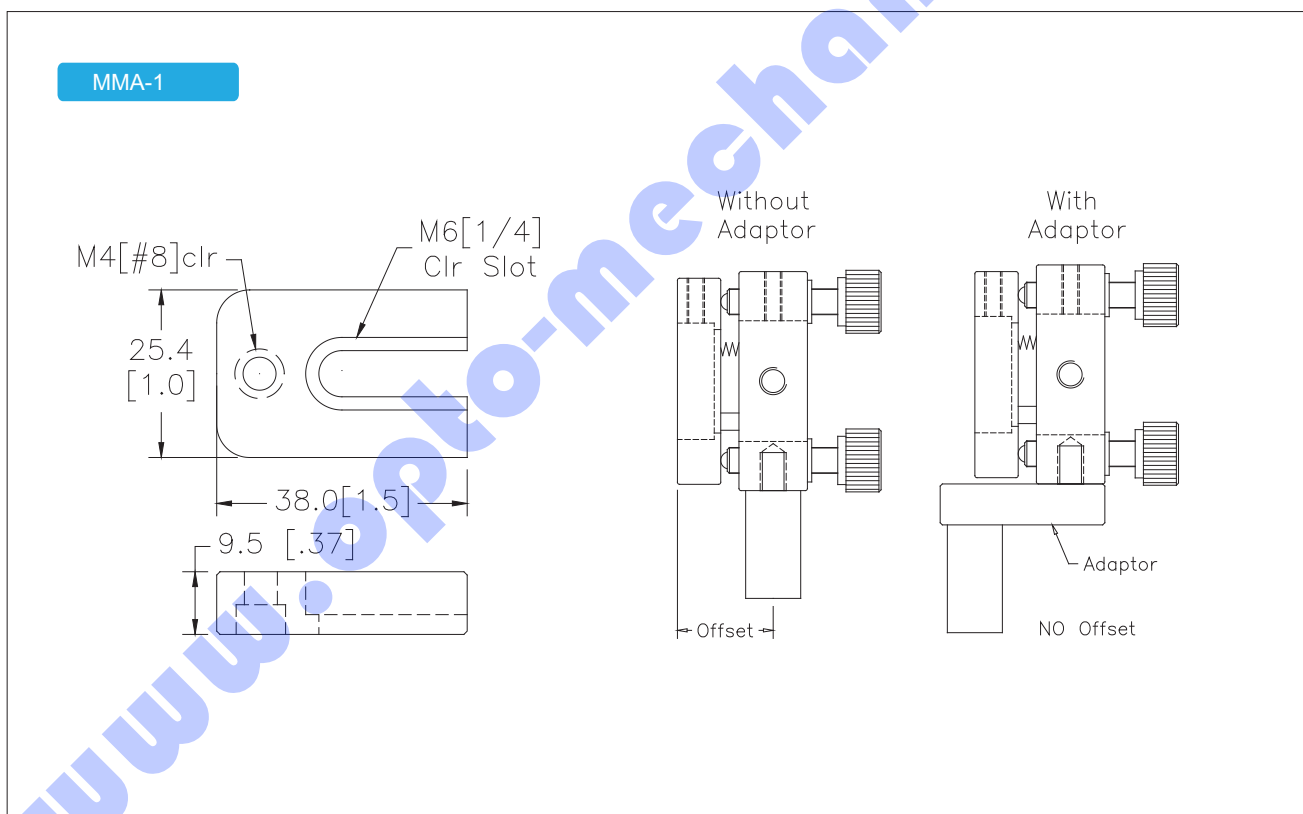
Optic Adapter



Overview

- Material: Aluminum
- Compatible with rail and table mounting systems
- Metric / Imperial Version available
- To order Imperial model please add * I - * to Item

Specification & Item Numbers



Item Numbers

Item Number	Stage Surface mm (inch)	Thickness mm (inch)	Weight (kg)
MMA-1	25.4x38 (1x1.5")	9.5 (0.375")	0.2

- Optical Tables
- Stages
- Optical Mounts
- Components
- Motion Systems
- Education Systems
- Lasers
- Optics & Crystals
- Other Equipment



FT
NC

C Type Kinematic Mount with 2 adjusters

Optical Tables

Stages

Optical Mounts

Components

Motion Systems

Education Systems

Lasers

Optics & Crystals

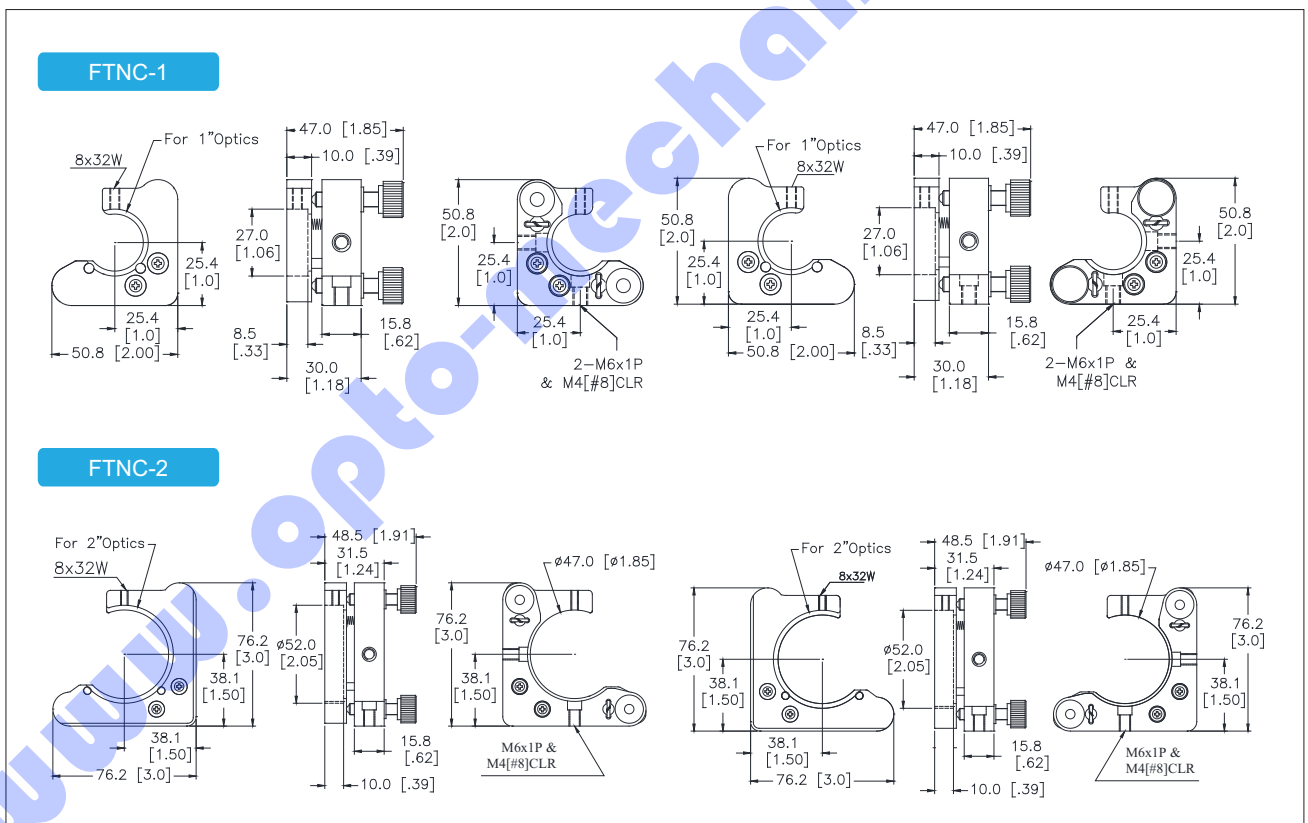
Other Equipment



Overview

- Features θ_x and θ_y 2 adjusters (standard precision 130 tpi fine screw)
- 100 tpi adjusters available
- Telfon Tip to protect and fix lens
- To order Imperial model please add * I - * to Item
- To order 130-pitch screws please add *F* to item

Specification & Item Numbers



- **100** = 100 pitch screw / **130 (F)** = 130 pitch screw / To order Imperial model please add * I - * to Item number

Item Number	Optics Diameter \varnothing mm (inch)	Minimum Optics Thickness mm (inch)	Height of Holder Center mm (inch)	Travel Range (degree)	Weight (kg)
FTNC-1L(F)	25.4 (1")	4 (0.15")	25.4 (1")	$\pm 4^\circ$	0.1
FTNC-1R(F)	25.4 (1")	4 (0.15")	25.4 (1")	$\pm 4^\circ$	0.1
FTNC-2L(F)	50.8 (2")	4 (0.15")	38.1 (1.5")	$\pm 4^\circ$	0.18
FTNC-2R(F)	50.8 (2")	4 (0.15")	38.1 (1.5")	$\pm 4^\circ$	0.18



Vertical Dive Kinematic Mirror



Overview

- Directly Accepts Ø1" Optics with Thickness Between
- 3.6 mm and 6.0 mm
- Material: Aluminum
- Metric / Imperial Version available
- To order Imperial model please add * I- * to Item

Optical Tables

Stages

Optical Mounts

Components

Motion Systems

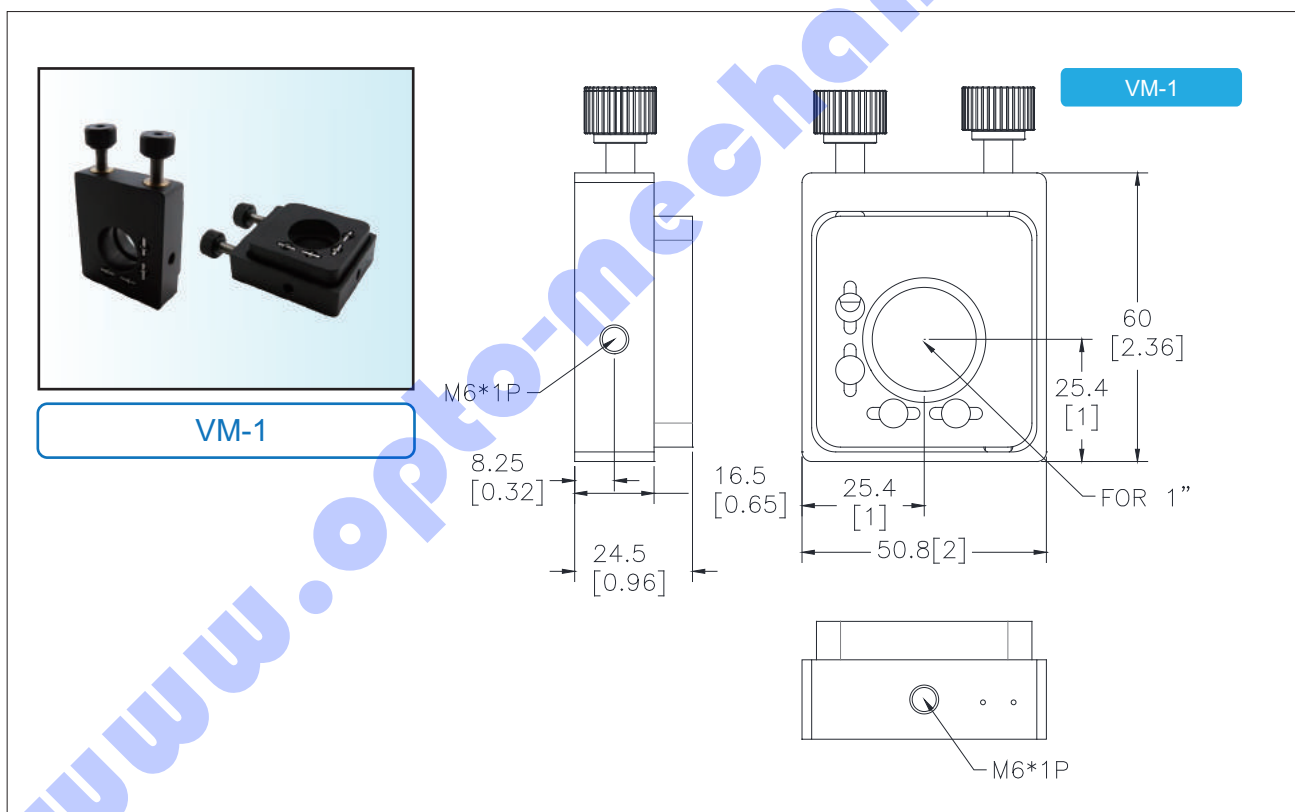
Education Systems

Lasers

Optics & Crystals

Other Equipment

Specification & Item Numbers



Item Numbers

Item Number	Optics Diameter Ø mm (inch)	Minimum Optics Thickness mm (inch)	Height of Holder Center mm (inch)	Travel Range (degree)	Weight (kg)
VM-1	25.4 (1")	4 (0.15")	25.4 (1")	±3°	0.2