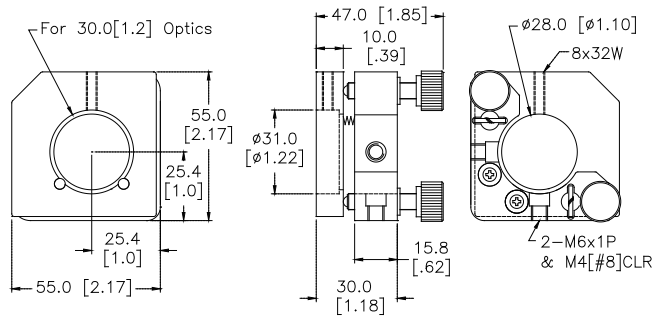




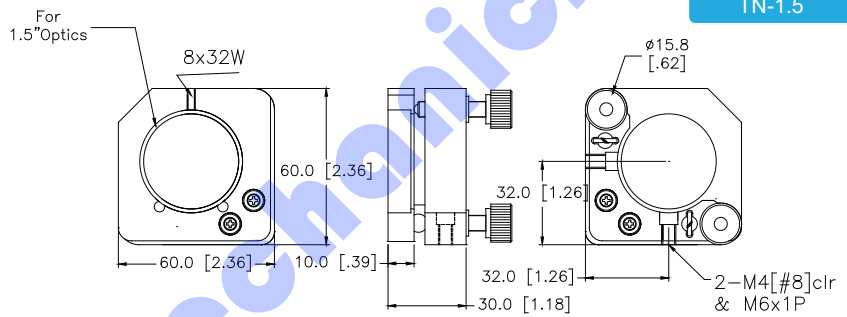
TN-1.2



TN-1.2



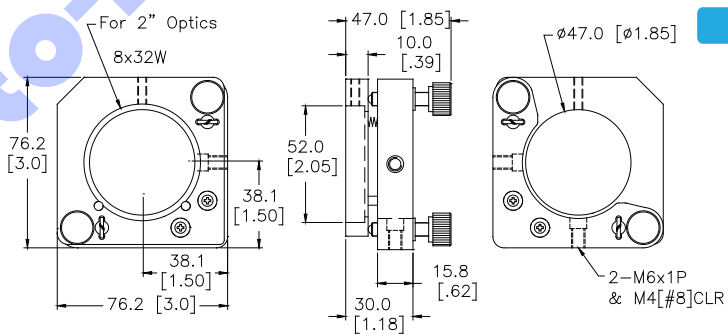
TN-1.5



TN-1.5



TN-2



TN-2

Item Numbers

Item Number	Drive Type	Optics Diameter Ø mm (inch)	Center Holder Height mm (inch)	Optics Thickness mm	Travel Range (Degree)	Weight (kg)
TN-08 (F)	100 / 130 (F)	20.8 (0.8")	25.4 (1")	4 ~ 10	± 4°	0.13
TN-1 (F)	100 / 130 (F)	25.0 (1")	25.4 (1")	4 ~ 10	± 4°	0.13
TN-1.2 (F)	100 / 130 (F)	30.0 (1.2")	25.4 (1")	4 ~ 10	± 4°	0.14
TN-1.5 (F)	100 / 130 (F)	38.0 (1.5")	32 (1.26")	4 ~ 10	± 4°	0.20
TN-2 (F)	100 / 130 (F)	50.0 (2")	38.1 (1.5")	4 ~ 10	± 4°	0.22

● **100** = 100 pitch screw / **130 (F)** = 130 pitch screw / To order Imperial model please add * **I** - * to Item number

Kinematic Round Mounts with 3 Adjusters



Overview

- For Optics: Ø 0.5", 0.8", 1", 1.5", 1.2", 2"
- Right / Left versions available
- 3-axis adjustment
- Teflon Tip to protect and fix lens
- 4 strong springs design
- Material : Aluminum with black anodized
- Metric / Imperial version available
- 100 pitch / 130 pitch screws available
- To order 130 pitch screws please add * F * to item number
- To order Imperial model please add * I - * to Item number

Specification

TTMSO- 08 L / R

For 0.8" Optics
8x32W

47.0 [1.85]
10.0 [.39]
50.8 [2.0]
25.4 [1.0]
25.4 [1.0]
50.8 [2.00]
27.0 [1.06]
8.5 [.33]
15.8 [.62]
30.0 [1.18]
2-M6x1P & M4[#8]CLR

For 0.8" Optics
8x32W

47.0 [1.85]
10.0 [.39]
50.8 [2.0]
25.4 [1.0]
25.4 [1.0]
50.8 [2.00]
27.0 [1.06]
8.5 [.33]
15.8 [.62]
30.0 [1.18]
2-M6x1P & M4[#8]CLR

TTMSO-08 R

TTMSO-08 L

TTMSO- 1 L / R

#8-32w For 1" Optics

25.4 [1.00]
25.4 [1.00]
25.4 [1.00]
50.8 [2.00]
8 [0.32]
28 [1.10]
42.6 [1.68]
2-M6*1P M4CLR

For 1" Optics #8-32w

25.4 [1.00]
25.4 [1.00]
25.4 [1.00]
50.8 [2.00]
8 [0.32]
28 [1.10]
42.6 [1.68]
2-M6*1P M4CLR

TTMSO-1 R

TTMSO-1 L



Optical Tables

Stages

Optical Mounts

Components

Motion Systems

Education Systems

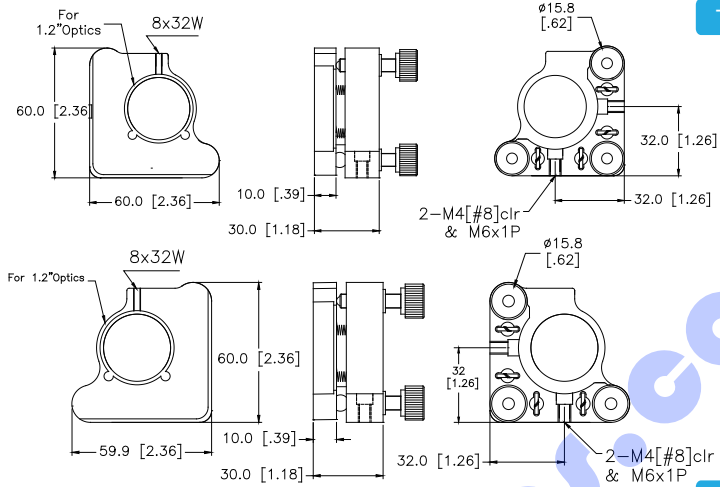
Lasers

Optics & Crystals

Other Equipment



TTMSO-1.2 L/R

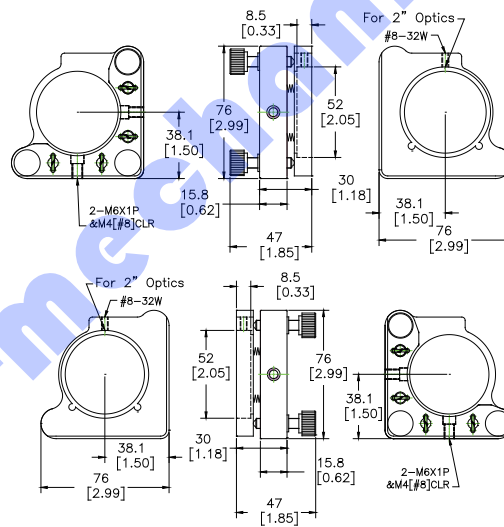


TTMSO-1.2 R

TTMSO-1.2 L



TTMSO-2 L/R



TTMSO-2 R

TTMSO-2 L

Item Numbers

Item Number	Drive Type	Optics Diameter Ø mm (inch)	Center Holder Height mm (inch)	Optics Thickness mm	Travel Range (Degree)	Weight (kg)
TTMSO-05 (F)	100 / 130 (F)	12.5 (0.5")	15 (0.6")	3 ~ 8	± 4°	0.03
TTMSO-08 (F)	100 / 130 (F)	20.8 (0.8")	25.4 (1")	4 ~ 10	± 4°	0.13
TTMSO-1 (F)	100 / 130 (F)	25.0 (1")	25.4 (1")	4 ~ 10	± 4°	0.13
TTMSO-1.2 (F)	100 / 130 (F)	30.0 (1.2")	25.4 (1")	4 ~ 10	± 4°	0.14
TTMSO-1.5 (F)	100 / 130 (F)	38.0 (1.5")	32 (1.26")	4 ~ 10	± 4°	0.20
TTMSO-2 (F)	100 / 130 (F)	50.0 (2")	38.1 (1.5")	4 ~ 10	± 4°	0.22

● 100 = 100 pitch screw / 130 (F) = 130 pitch screw / To order Imperial model please add * I - * to Item number


Kinematic Round Mounts with 4 Adjusters




Overview

- For Optics: Ø 0.5", 1", 1.5", 2"
- Adjustable Axis: Y, Z, θ_x , θ_y
- Travel Range (θ_x , θ_y): $\pm 3^\circ$ (FLH-05) / $\pm 4^\circ$ (FLH-05, 1N, 1.5N, 2N)
- Tilt Range: $\pm 3.5^\circ$
- Translation distance for Z-axis (up / down) ± 2 mm / Y-axis (Left / Right) ± 2 mm
- Easy change of optics size with OA-1005, OA-2010 adaptors
- Material : Aluminum with black anodized
- Metric / Imperial Version available
- 100 pitch / 130 pitch screws available
- To order 130 pitch screws please add * F * to item number
- To order Imperial model please add * I- * to Item number


Specification & Item Numbers



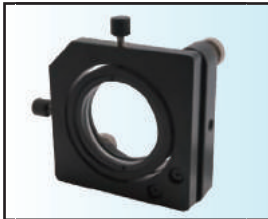
FLH-05



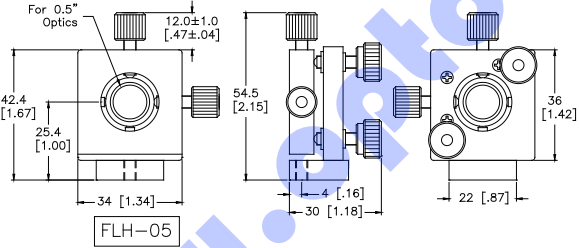
FLH-1N



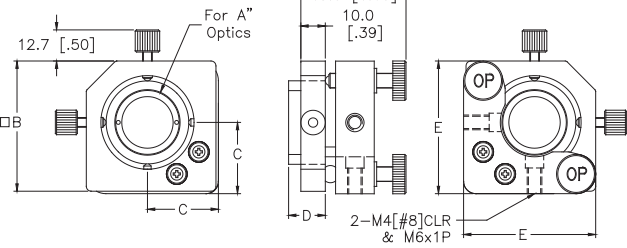
FLH-1.5N



FLH-2N



FLH-05



FLH- 1N / 1.5N / 2N

Item#	A	B	C	D	E	Unit:
FLH-1N	25.0[1.0]	50.0[1.97]	29.0[1.1]	10.0[0.4]	54.0[2.15]	mm[Inch]
FLH-1.5N	38.0[1.5]	73.0[2.87]	38.1[1.5]	15.0[0.6]	76.2[3.0]	
FLH-2N	50.0[2.0]	80.0[3.15]	42.0[1.65]	15.0[0.6]	83.0[3.31]	

Item Number	Drive Type	Optics Diameter Ø mm (inch)	Center Holder Height mm (inch)	Optics Thickness mm (inch)	Travel Range (Degree)	Weight (kg)
FLH-05 (F)	100 / 130 (F)	12.5 (0.5")	15 (0.6")	0~5.0 (0.2")	$\pm 3^\circ$	0.07
FLH-1N (F)	100 / 130 (F)	25.0 (1")	29.0 (1.14")	0~5.0 (0.2")	$\pm 4^\circ$	0.14
FLH-1.5N (F)	100 / 130 (F)	38.0 (1.5")	38.1 (1.5")	0~8.0 (0.315")	$\pm 4^\circ$	0.23
FLH-2N (F)	100 / 130 (F)	50.0 (2")	42.0 (1.65")	0~8.0 (0.315")	$\pm 4^\circ$	0.26

• **100** = 100 pitch screw / **130 (F)** = 130 pitch screw / To order Imperial model please add * I- * to Item number



PM MC

Kinematic Prism Mounts

Optical Tables

Stages

Optical Mounts

Components

Motion Systems

Education Systems

Lasers

Optics & Crystals

Other Equipment



Overview

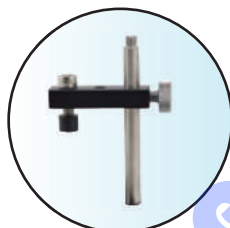
- For Optics:

PM-1: 25.4 mm (1")	PM-06: 15.2 mm (0.6")
PM-1.5: 38.1 mm (1.5")	PM-2: 0~51 mm (2")
MC-1: 0~34 mm (1.34")	MC-2: 0~51 mm (2")
- Adjustable Axis: θ_x, θ_y
- Travel Range: $\pm 4^\circ$
- Can be mounted directly on the platform.
- MC-series as clamps to fix optics
- Material : Aluminum with black anodized
- Metric / Imperial version
- 100 pitch / 130 pitch screws available
- To order Imperial model please add * I - * to item number
- To order 130 pitch screws please add * F * to item number

Specification

APP

Application
MC+PM-series



MC-1



PM-2



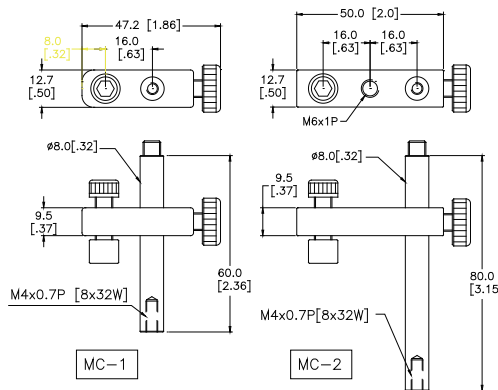
MC-1 + PM-2

MC Series Features

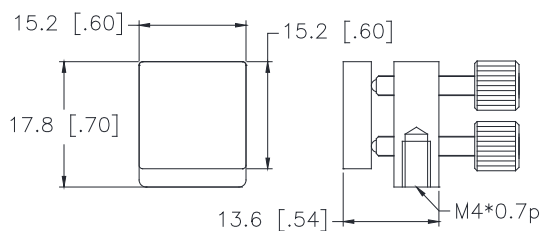
The MC series 1 and 2 are specially designed clamps for fixing optics. Both can be mounted directly on the platform and used in combination with PM-2.

PM-2 Features

The PM-2 mount is to be used in combination with the MC series for fixing prism and the cube typed beam splitters. Featuring Disc-Spring Design and 100-pitch adjusters for superior stiffness and very accurate adjustment.



PM-06



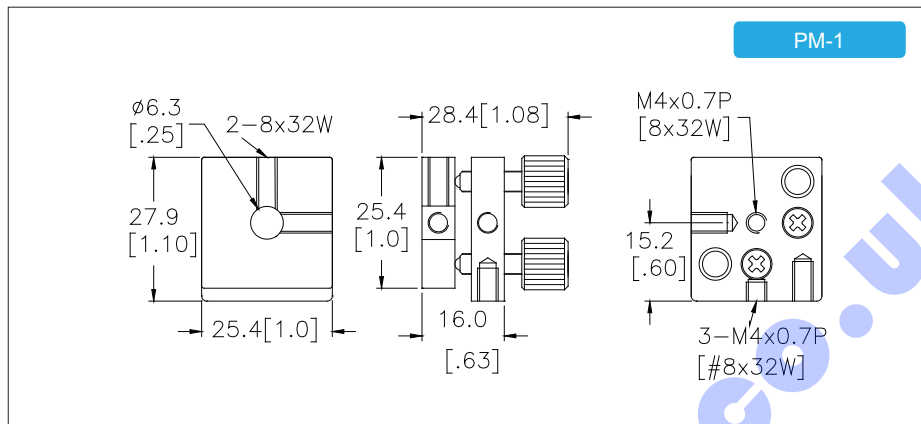
PM-06

PM-06

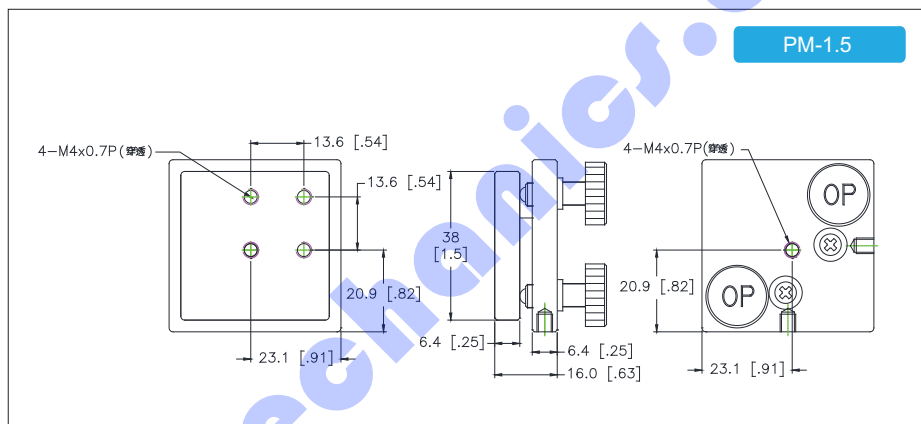




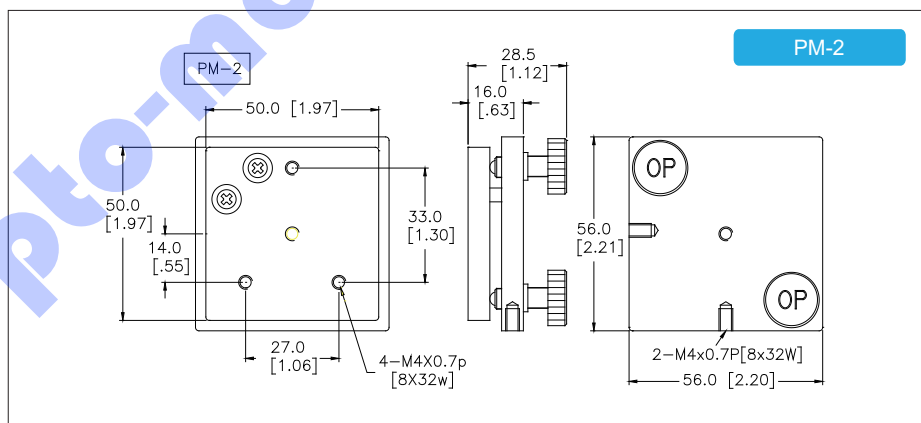
PM-1



PM-1.5



PM-2



Item Numbers

Item Number	Drive Type	Applicable Size of Prism (inch)	Surface Dimension mm (inch)	Travel Range (mm)	Weight (mm)
PM-06 (F)	100 / 130 (F)	0.6"	15.2 x 17.8 (0.6x0.7")	± 4°	0.04
PM-1 (F)	100 / 130 (F)	1"	25.4 x 25.4 (1x1")	± 4°	0.05
PM-1.5 (F)	100 / 130 (F)	1.5"	38.1 x 38.1 (1.5x1.5")	± 4°	0.08
PM-2 (F)	100 / 130 (F)	2"	50 x 50 (1.97x1.97")	± 4°	0.12
MC-1	---	---	60 x 47 (2.36x1.85")	---	0.05
MC-2	---	---	80 x 59 (3.15x2.32")	---	0.08

• 100 = 100 pitch screw / 130 = 130 pitch screw / To order Imperial version, please add *-I-* to item number



PT

Kinematic Prism Mounts

Optical Tables

Stages

Optical Mounts

Components

Motion Systems

Education Systems

Lasers

Optics & Crystals

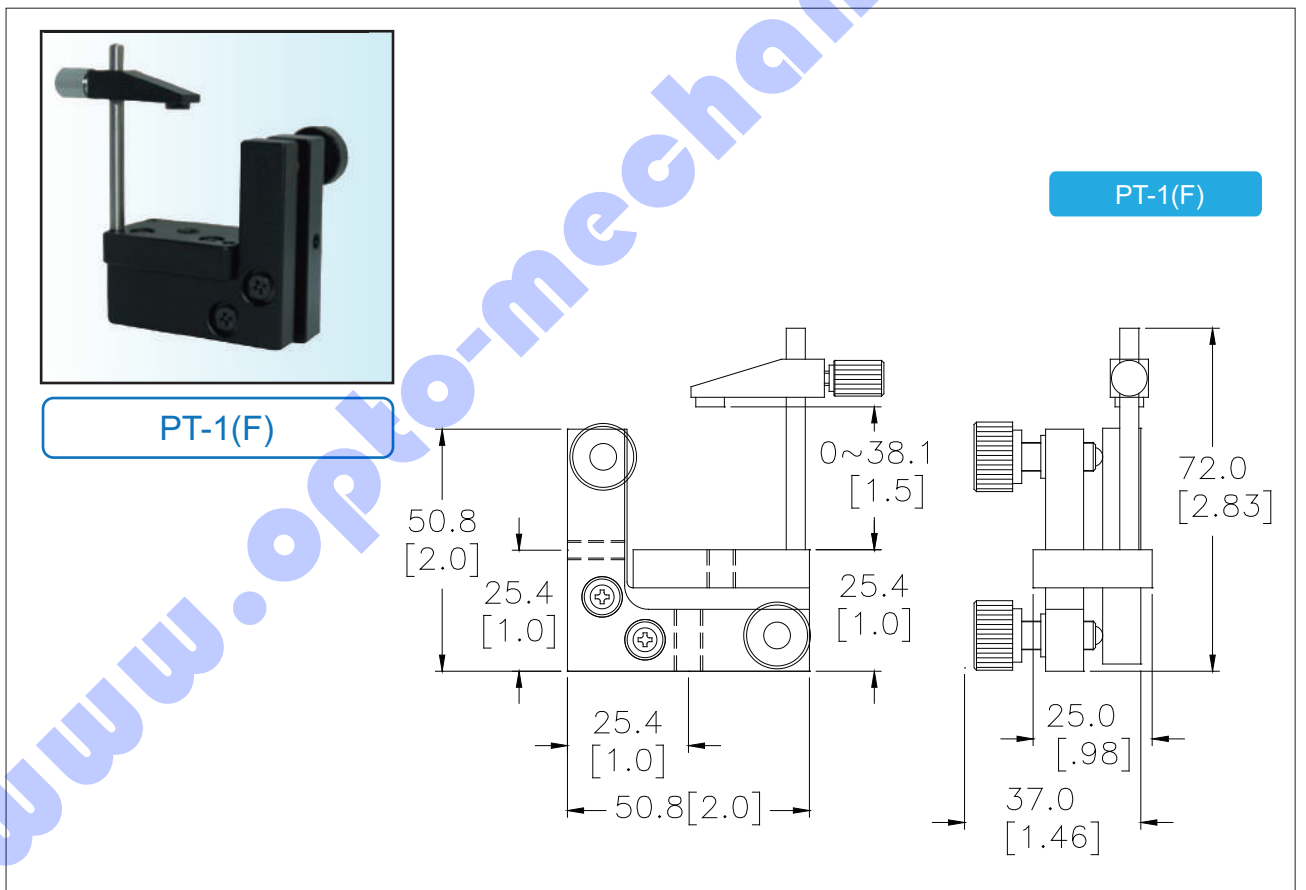
Other Equipment



Overview

- For optic: $\varnothing 0 \sim 1.5"$
- 38 x 25 mounting platform
- Can be mounted directly on the platform
- Complete system include clamp
- Fine adjustment θ_x, θ_y each $\pm 4^\circ$ tilting range
- To order Imperial model please add *I-* to Item
- To order 130-pitch screws please add *F* to item

Specification



Item Numbers

Item Number	Driver Type	Applicable Size of Prism (inch)	Surface Dimension mm (inch)	Travel Range (mm)	Weight (mm)
PT-1 (F)	100 / 130 (F)	1"	38 x 25 (1.5x0.98")	$\pm 4^\circ$	0.10

• **100** = 100 pitch screw / **130** = 130 pitch screw / To order Imperial version, please add *I-* to item number


Reflective Mirror Mounts



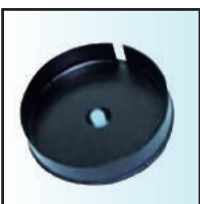
Overview

- For Optics: Ø 0.5", 0.75", 1", 2"
- For use with PM-1(C.30)
- Assembly on 3-PM-1 for Kinematic tilting
- Material : Aluminum

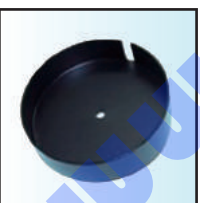
Specification




PMH-05




PMH-075



PMH-2



PMH-1(thin)



PMH-1(thick)

PMH Series

Item#	A	B	C	D
PMH-05	12.7[.50]	14.2[.56]	2.9[.11]	4.4[.175]
PMH-075	19.1[.75]	20.6[.81]	4.1[.16]	5.8[.23]
PMH-1	25.4[1.0]	27.0[1.06]	5.1[.21]	6.4[.25]
PMH-2	50.4[2.0]	52.3[2.06]	11.4[.44]	13.4[.51]

Item Numbers

Item Number	A mm(inch)	B mm(inch)	C mm(inch)	D mm(inch)
PMH-05	12.7 (0.50")	14.2 (0.56")	2.9 (0.11")	4.4 (0.17")
PMH-075	19.1 (0.75")	20.6 (0.81")	4.1 (0.163")	5.8 (0.23")
PMH-1(thin/thick)	25.4 (1")	27 (1.06")	5.1 (0.2")	6.4 (0.25")
PMH-2	50.4 (2")	52.3 (2.06")	11.4 (0.44")	13.4 (0.51")



BPA

Beam Path Adaptors

Optical Tables

Stages

Optical Mounts

Components

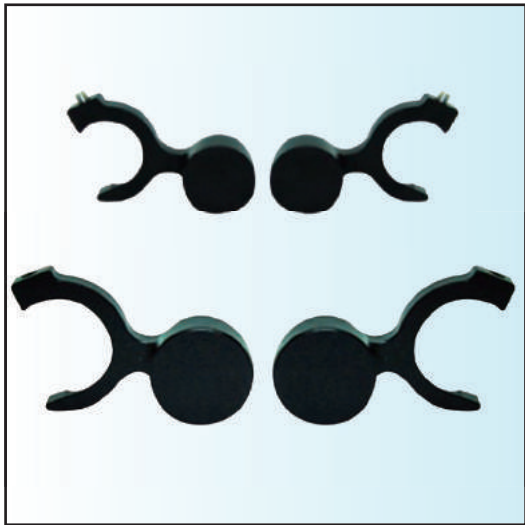
Motion Systems

Education Systems

Lasers

Optics & Crystals

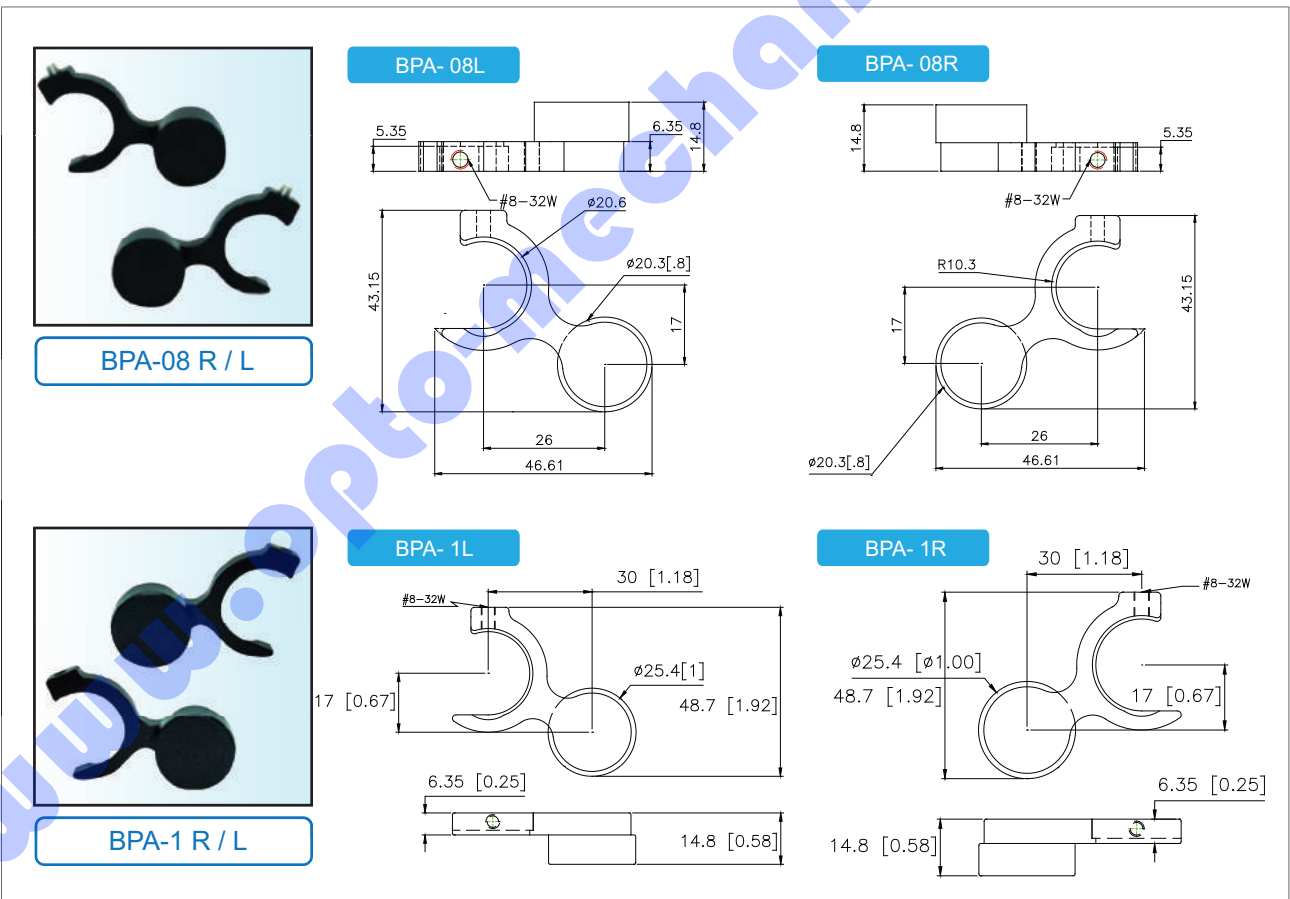
Other Equipment



Overview

- Adapted in Kinematic Mount
- Extensively adapt kinematic optic position reach upper beam path and close the original kinematic mount optic diameter
- For 1" optic, Left or Right version
- Can be applied to all C-type Kinematic mount

Specification & Item Numbers



BPA-08 R / L

BPA-1 R / L

Item Numbers

Item Number	Optics Ø (mm)	Weight / Load (kg)
BPA-08 (F)	20.3 (0.8")	0.03
BPA-1 (F)	25.4 (1")	0.04


Optics Adaptor



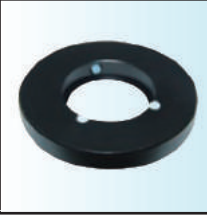
Overview

- For Optics: Ø 0.5", 0.8", 1", 1.5", 2"
- Holder Diameter:
 - Ø25.4 mm (1") (OA-1005)
 - Ø50.8 mm (2") (OA-2010/2015)
- Applicable Diameter:
 - 6.35 mm (0.25") (OA-1005)
 - 7.0 mm (0.28") (OA-2010/2015)
- Can be used in all mirror mounts
- For use of smaller diameter optics in 50.8 (2") or 25.4 (1") mirror mounts
- To order Imperial model please add * I- * to Item


Specification & Item Numbers




OA-1005




OA-2010



OA-2015

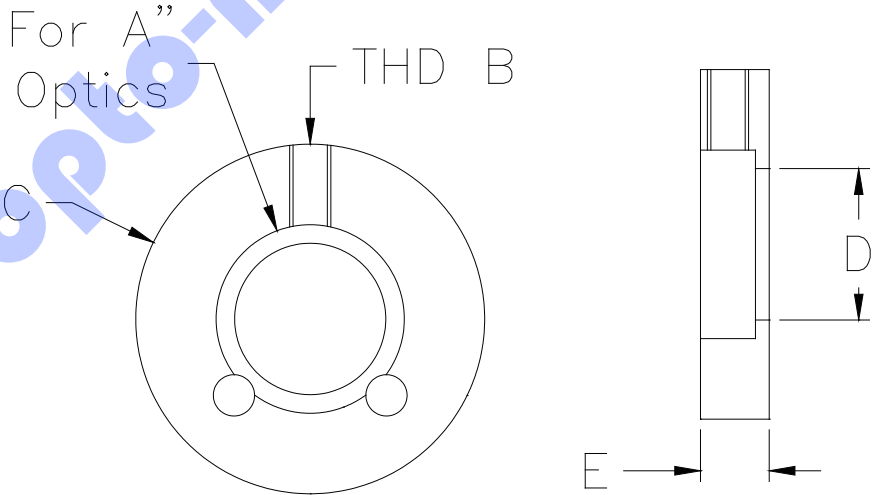


OA-1008



OA-1510

For A" Optics



Item Number	A mm (inch)	B mm (inch)	C mm (inch)	D mm (inch)	E mm (inch)
OA-1005	12.7 (0.5")	M3x0.5P	25.4 (1.0")	11.0 (4.3")	6.4 (0.25")
OA-1008	20.2 (0.8")	M20.3X075P	25.4 (1.0")	18.0 (0.7")	8.0 (0.31")
OA-1510	25.4 (1")	8X32W	25.4 (1.0")	23.0 (0.91")	7.0 (0.27")
OA-2010	25.4 (1")	8X32W	50.8 (2.0")	23.0 (0.91")	7.0 (0.27")
OA-2015	38.0 (1.5")	8X32W	50.8 (2.0")	35.0 (1.38")	7.0 (0.27")

- Optical Tables
- Stages
- Optical Mounts
- Components
- Motion Systems
- Education Systems
- Lasers
- Optics & Crystals
- Other Equipment



CM CMR

C Mount (extensive)

Optical Tables

Stages

Optical Mounts

Components

Motion Systems

Education Systems

Lasers

Optics & Crystals

Other Equipment

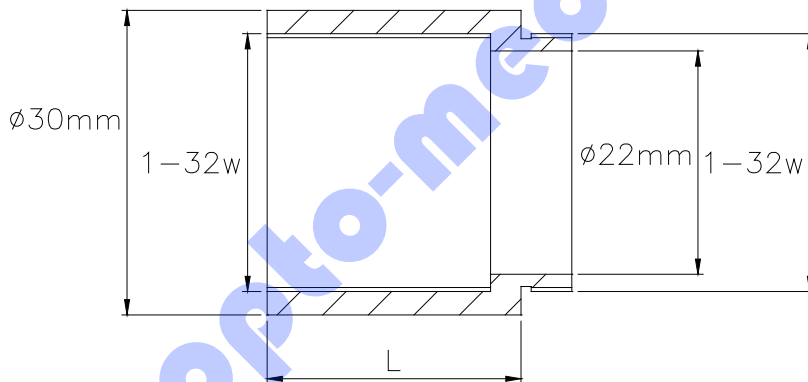


Overview

- Adapted in Kinematic Mount
- Extensively adapt kinematic optic position reach upper beam path and close the original kinematic mount optic diameter
- For * I * optic, Left or Right version. Can be applied to all C-type Kinematic

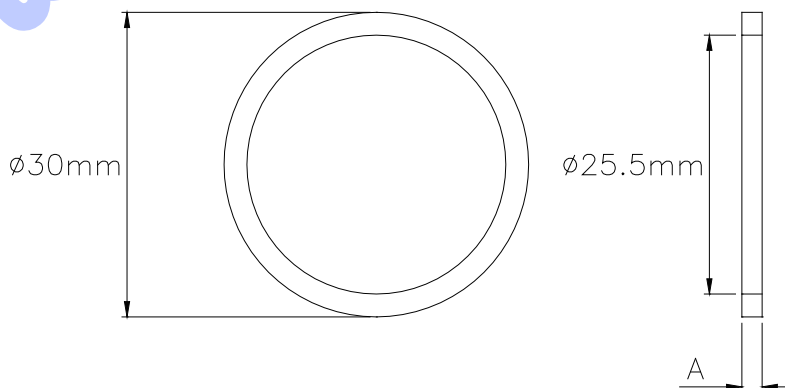
Specification & Item Numbers

CM-series



Item#	Lmm
CM-5	5
CM-10	10
CM-20	20
CM-30	30
CM-40	40
CM-50	50

CMR-series



Item#	Amm
CMR-05	0.5
CMR-1	1
CMR-2	2

Flip Mount



Overview

- Item # : FM-1
- Highly Repeatable IN/OUT function
- Kinematic design ensures repeatability
- Allows beam path to be diverted
- Allows two different flips application
- Gimbal adjusting for great stability

Specification & Item Numbers

2 Different Flip Application (mirror mount not included)

1

→

Flip axis at center of Mounting plate

Flip axis at center of optics

- Optical Tables
- Stages
- Optical Mounts
- Components
- Motion Systems
- Education Systems
- Lasers
- Optics & Crystals
- Other Equipment



BSD

Beam Steering Sets

Optical Tables

Stages

Optical Mounts

Components

Motion Systems

Education Systems

Lasers

Optics & Crystals

Other Equipment



Overview

- The BSD-series Beam steering system contains 1" Kinematic mounts, clamps. Posts. Sliding base
- It allows height control with angular adjustments during application
- Users can choose between sets of BSD-1, BSD-1A and BSD-1B according to their own application purpose
- Users who may already have parts of the beam steering sets can also purchase only the post with 1" kinematic mount and 90° post clamp along (BSD-T1A / BSD-T1B) Beam Steering Sets

Specification & Item Numbers



BSD-1

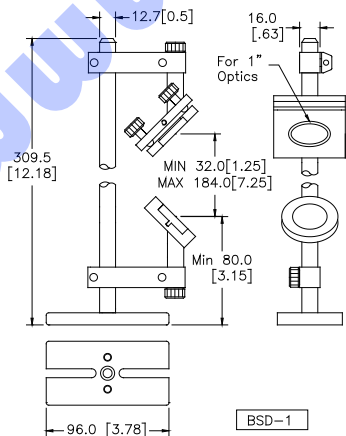


BSD-1A



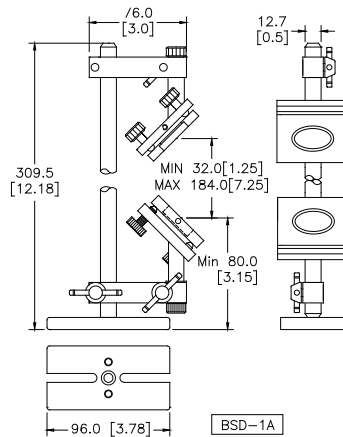
BSD-1B

BSD-1



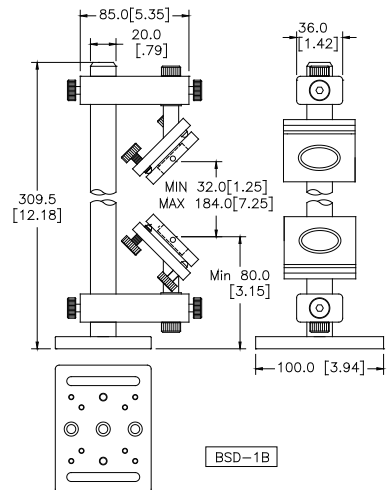
BSD-1

BSD-1A



BSD-1A

BSD-1B

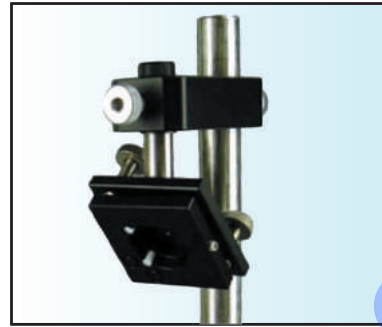


BSD-1B



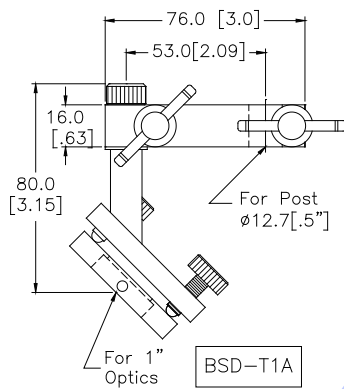


BSD-T1A

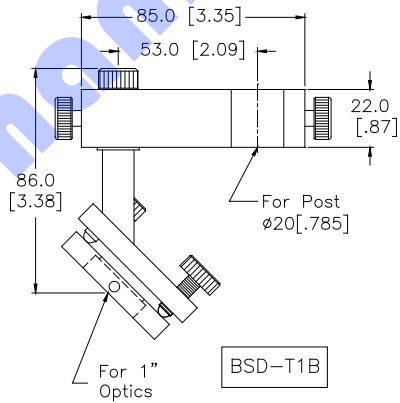


BSD-T1B

BSD-T1A



BSD-T1B



Item Numbers

Item Number	Drive Type	Mirror Diameter Ø mm (inch)	Post Diameter Ø mm (inch)	Post Length Ø mm (inch)	Weight (kg)
BSD-1	100	25.0 (1")	12.7 (0.5")	300(11.81")	0.83
BSD-1A	100	25.0 (1")	12.7 (0.5")	300(11.81")	0.85
BSD-1B	100	25.0 (1")	20.0 (0.785")	300(11.81")	1.58
BSD-T1A	100	25.0 (1")	12.7 (0.5")	---	0.23
BSD-T1B	100	25.0 (1")	20.0 (0.785")	---	0.34

- **100** = 100 pitch screw / **130 (F)** = 130 pitch screw / To order Imperial model please add ***I*** to Item number

Optical Tables

Stages

Optical Mounts

Components

Motion Systems

Education Systems

Lasers

Optics & Crystals

Other Equipment



BSD

Beam Steering Sets

Optical Tables

Stages

Optical Mounts

Components

Motion Systems

Education Systems

Lasers

Optics & Crystals

Other Equipment



Overview

- Mirror Diameter: Ø 50.0 mm (2")
- Post Diameter: Ø 38.1 mm (1.50")
- Post Length: 355.6 mm (14")
- SR-B base diameter: Ø 76 x 16 mm
- Tilt Range: ± 4°
- Weight: 2.76 kg (BSD-2) / 0.72 kg (BSD-T2A)
- Driver Type: 100-pitch screws
- Full beam direction and height control
- Disc spring MM-1 mount with 100-pitch screw provides stable fine angular adjustments
- Metric version
- To order Imperial model please add * I- * to Item

Specification & Item Numbers



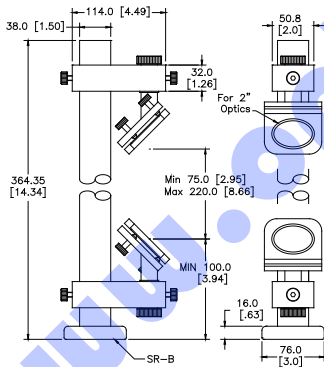
BSD-2A



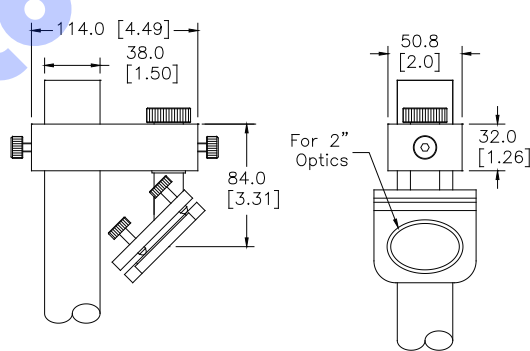
BSD-T2A



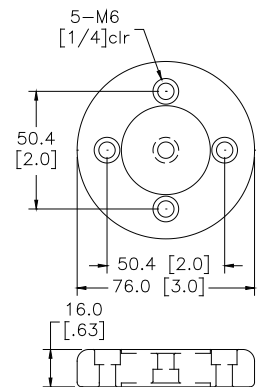
SR-B



BSD-2A



BSD-T2A



SR-B

- **100** = 100 pitch screw / **130 (F)** = 130 pitch screw / To order Imperial model please add * I- * to Item number

Item Number	Drive Type	Mirror Diameter Ø mm (inch)	Post Diameter Ø mm (inch)	Post Length Ø mm (inch)	Weight (kg)
BSD-2A	100	50.0 (2")	38.1 (1.50")	355.6(14")	2.76
BSD-T2A	100	50.0 (2")	38.1 (1.50")	---	0.72
SR-B		Size Ø 76.0x16.0 (3.0x0.63")			

Beam Steerer



Overview

- Mirror Diameter: Ø 50.0 mm (2")
- Post Diameter: Ø 38.1 mm (1.50")
- Post Length: 355.6 mm (14")
- SR-A base diameter: Ø 76 x 16 mm
- Tilt Range: ± 4°
- Driver Type: 100-pitch screws
- Easy tilting adjustment
- Metric version
- Material: Aluminum
- To order Imperial model please add * I- * to Item

Optical Tables

Stages

Optical Mounts

Components

Motion Systems

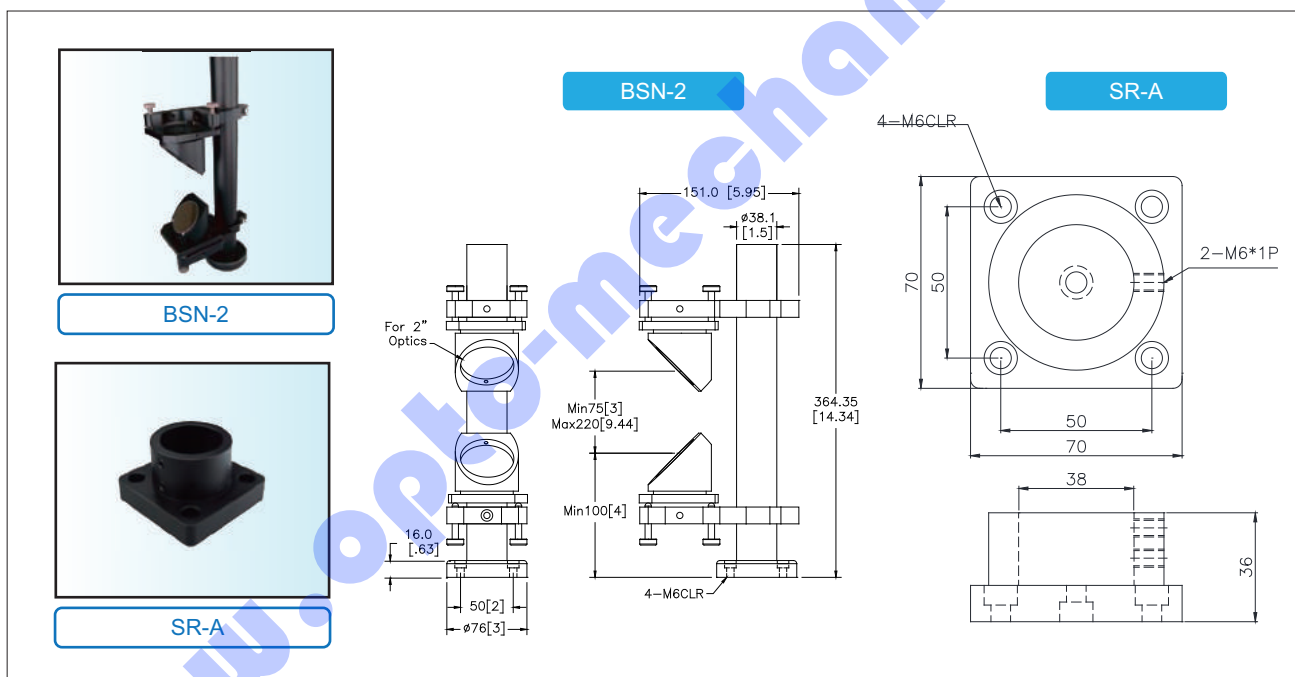
Education Systems

Lasers

Optics & Crystals

Other Equipment

Specification & Item Numbers



Item Numbers

Item Number	Drive Type	Mirror Diameter Ø mm (inch)	Post Diameter Ø mm (inch)	Weight (kg)
BSN-2	100	50.0 (2")	38.0 (1.5")	0.72
SR-A	Size Ø 70x70x36 (2.76x2.76x1.42")			

- **100** = 100 pitch screw / **130 (F)** = 130 pitch screw / To order Imperial model please add * I- * to Item number



MA

B45° Optics Mount & Angle Post

Optical Tables

Stages

Optical Mounts

Components

Motion Systems

Education Systems

Lasers

Optics & Crystals

Other Equipment

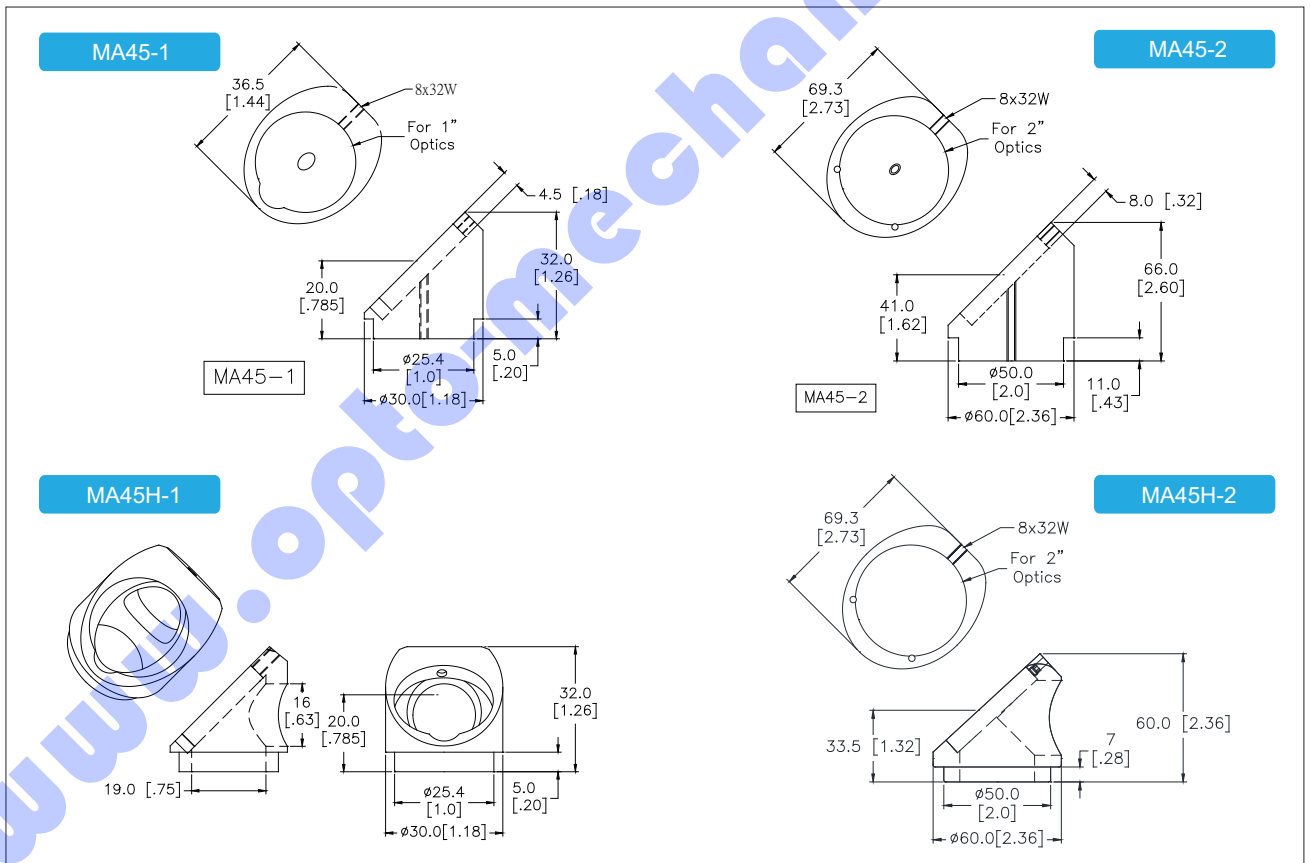


MA45-1 / MA45-2 / MA45H-1

Overview

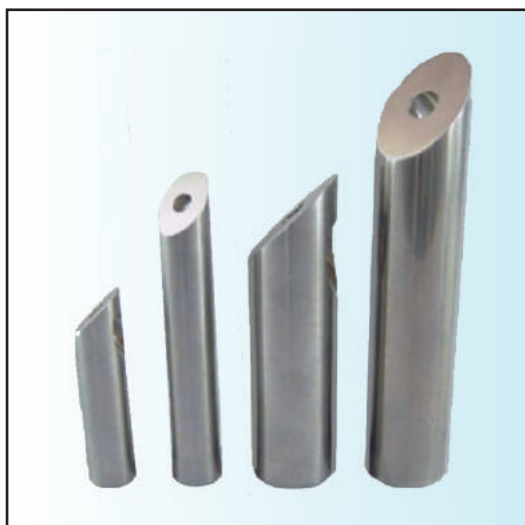
- For Optics: Ø 1", Ø 2"
- Add OA 1005 for fitting Ø 0.5" optics
- Angle: 45°
- Height of holder center: 0.71" (MA45-1) / 1.42" (MA45-2)
- Weight: 0.02 kg (MA45-1) / 0.24 kg (MA45-2)
- Ideal for beam steering applications
- Material: Aluminum

Specification & Item Numbers



Item Number	Optics Diameter Ø mm (inch)	Angle	Height of holder Center mm (inch)	Weight (kg)
MA45-1	25.0(1")	45°	18(0.71")	0.02
MA45-2	50.0(2")	45°	36.1(1.42")	0.24
MA45H-1	25.0(1")	45°	18(0.71")	0.02
MA45H-2	50.0(2")	45°	36.1(1.42")	0.24

B45° Optics Mount & Angle Post



Overview

- Diameter: 12.7 mm (0.5")PA-series / 20 mm (1.97")PAX-series
- 45° angle cut design
- Various heights for selection
- Weight: 0.02 ~ 0.27 kg
- Material: Stainless Steel

Specification & Item Numbers

APPLICATION

Item#	A	B	C
PA45-1	25.4[1.0"]	12.7[0.5"]	M4[#8]
PA45-1.5	38.1[1.5"]	12.7[0.5"]	M4[#8]
PA45-2	50.8[2.0"]	12.7[0.5"]	M4[#8]
PA45-3	76.2[3.0"]	12.7[0.5"]	M4[#8]
PA45-4	101.6[4"]	12.7[0.5"]	M4[#8]
PA45-5	127[5.0"]	12.7[0.5"]	M4[#8]
PAX45-1	25[1.0"]	20.0[.785"]	M6[1/4]
PAX45-2	50.8[2.0"]	20.0[.785"]	M6[1/4]
PAX45-3	76.2[3.0"]	20.0[.785"]	M6[1/4]
PAX45-4	101.6[4"]	20.0[.785"]	M6[1/4]
PAX45-5	127[5.0"]	20.0[.785"]	M6[1/4]

Item Number	Length A mm (inch)	Diameter B mm (inch)	Weight (kg)
PA45-1	25.4 (1")	12.7 (0.5")	0.02
PA45-1.5	38.1 (1.5")	12.7 (0.5")	0.03
PA45-2	50.8 (2")	12.7 (0.5")	0.04
PA45-3	76.2 (3")	12.7 (0.5")	0.05
PAX45-2	50.8 (2")	20.0 (1.97")	0.1
PAX45-3	76.2 (3")	20.0 (1.97")	0.16
PAX45-4	101.6 (4")	20.0 (1.97")	0.21
PAX45-5	127 (5")	20.0 (1.97")	0.27



CGM

Compact Gimbal Mirror Mounts with 2 adjusters

Optical Tables

Stages

Optical Mounts

Components

Motion Systems

Education Systems

Lasers

Optics & Crystals

Other Equipment



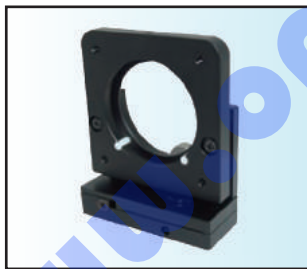
Overview

- For Optics: Ø1", 2"
- Adjustable Axis: (θ_x , θ_y)
- Compact, true gimbal designed
- 0.3 mrad resolution^o
- Unique Disc-Spring design
- Material : Aluminum
- Metric Version
- 100 pitch screws available
- To order Imperial model please add *I-* to Item

Specification & Item Numbers

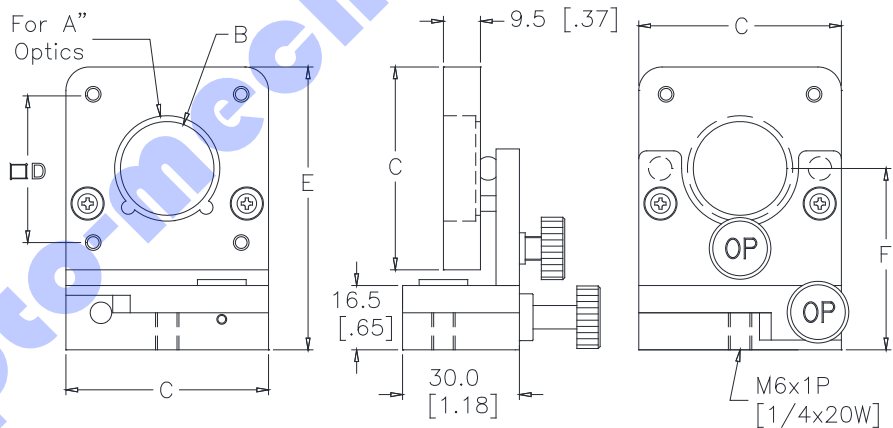


CGM-1



CGM-2

CGM-1



Item#	A	B	C	D	E	F	
CGM-1	25.4	24	52	38	71	45	UNIT: mm
CGM-2	50.8	47	76	57	96	58	

CGM-2

Item Numbers

Item Number	Drive Type	Mirror Diameter Ø mm (inch)	Optics Diameter Ø mm (inch)	Travel Range	Weight (kg)
CGM-1	100	3.0 (0.12")	25.4(1")	± 4°	0.16
CGM-2	100	6.01 (0.24")	50.8 (2")	± 4°	0.25

• **100** = 100 pitch screw / **130 (F)** = 130 pitch screw / To order Imperial model please add *I-* to Item number

Gimbal Mount for Beamsplitters



Overview

- For Optics: Ø1", 2", 4", 6"
- Adjustable Axis: (θ_x , θ_y)
- Travel Range: $\pm 5^\circ$
- 3 Types of driven screw with 13mm travel (θ_x and θ_y)
- Center Mount 360 degree rotary
- Retaining ring protect lens
- Gimbal adjusting for great stability
- Material : Aluminum
- Metric Version
- 100 pitch / 130 pitch screws available
- To order Imperial model please add * I- * to Item
- To order 130 pitch screws please add * F * to item

Specification & Item Numbers

GMM-series

GMM-6

For ØA Optics

Item#	A	B	C	D	E max	max F min	G
GMM-2	50.8 (2.)	82.0 (3.23)	119 (4.69)	74.0 (2.91)	9.50 (0.375)	102.0 92.0 (4.02) (3.62)	134.0 (5.28)
GMM-4	101.6 (4.)	110.0 (4.33)	173.0 (6.81)	126.0 (4.96)	15.0 (0.60)	115.0 102.0 (4.53) (4.02)	188.0 (7.40)
GMM-6	152.4 (6.)	136.0 (5.35)	227.0 (8.94)	182.0 (7.16)	15.0 (0.60)	115.0 102.0 (4.53) (4.02)	224.0 (9.60)

- **100** = 100 pitch screw / **130 (F)** = 130 pitch screw / To order Imperial model please add * I- * to Item number

Item Number	Drive Type	Optics Diameter Ø	Weight (kg)
GMM-1	micrometer	25.4 (1")	0.02
GMM-2	micrometer	50.8 (2")	0.76
GMM-4	micrometer	101.6 (4")	1.2
GMM-6	micrometer	152.4 (6")	2.3
GMM-1A / F	100 / 130	25.4 (1")	0.21
GMM-2A / F	100 / 130	50.8 (2")	0.76
GMM-4A / F	100 / 130	101.6 (4")	1.2
GMM-6A / F	100 / 130	152.4 (6")	2.3



PPM

Polarizer Rotary Mounts

Optical Tables

Stages

Optical Mounts

Components

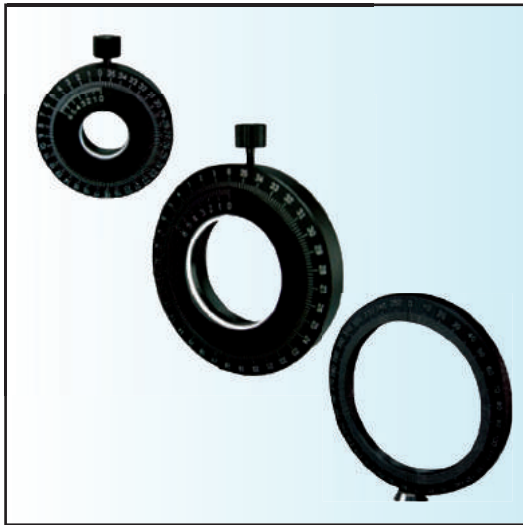
Motion Systems

Education Systems

Lasers

Optics & Crystals

Other Equipment



Overview

- For Optics: Ø 1", 2"
- Travel range: 360°
- 360° Coarse Rotation
- Retaining ring protect optics
- With M6*1p fixing tapped screw
- Hold Max 14mm thick optics
- Material: Aluminum
- Metric / Imperial Version
- To order Imperial model please add * I-* to Item

Specification & Item Numbers



PPM-1



PPM-2



PME-52

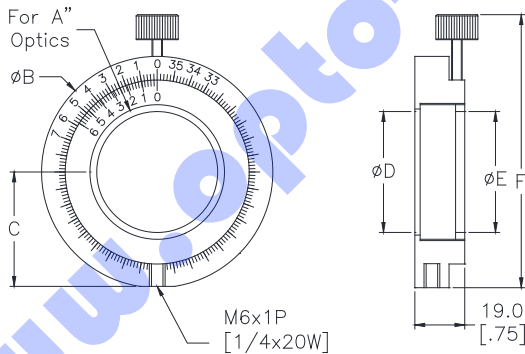


PME-52 application

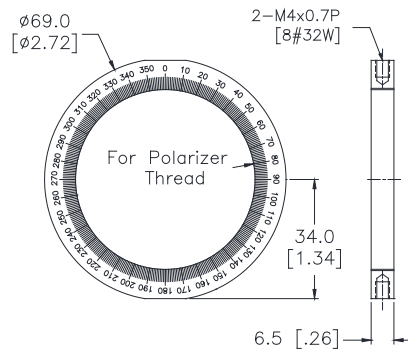
PPM-1

PPM-2

PME-52



Item#	A	B	C	D	E	F
PPM-1	25.4 [1.0]	63.0 [2.48]	31.0 [1.22]	23.0 [.91]	21.0 [.83]	74.5 [2.93]
PPM-2	50.8 [2.0]	88.0 [3.46]	43.5 [1.71]	47.0 [1.85]	45.5 [1.79]	103.5 [4.07]



360° scale with minimum 1° reading

Part Number	Optics Dia:Ø	Min reading	Weight
PME-52	52mm	1°	0.06kg

Item Numbers

Item Number	A mm (inch)	B mm (inch)	C mm (inch)	D mm (inch)	Optics Thickness Max mm (inch)	Min Reading (°)	Weight (kg)
PPM-1	25.4 (1")	63.0 (2.48")	31.0 (1.2")	23 (0.91")	0~14(.55")	2 / 60	0.11
PPM-2	50.0(2")	88 (3.46")	43.5 (1.71")	47 (1.95")	0~14(.55")	2 / 60	0.16



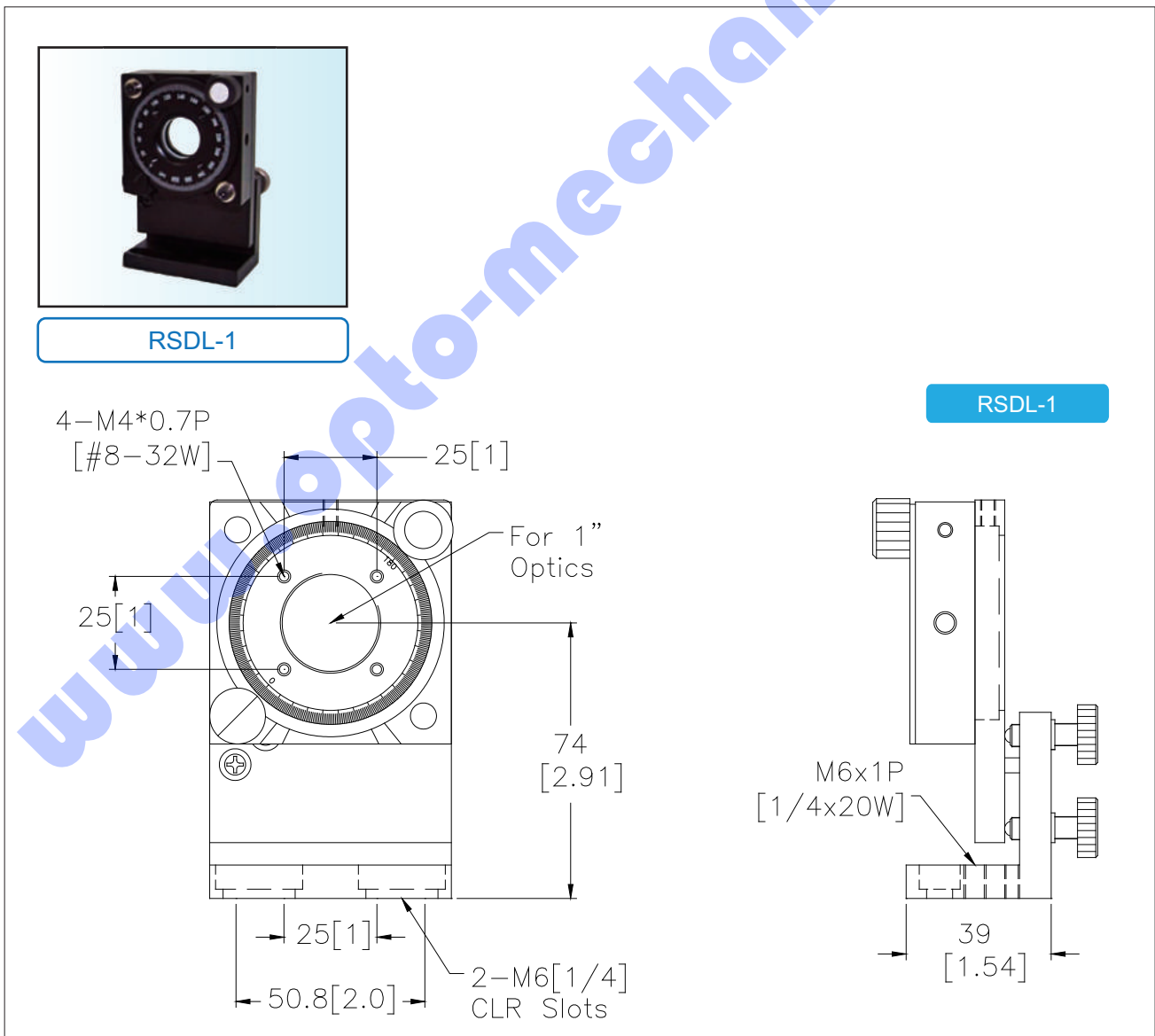
Kinematic and Rotary Mount with 3 adjusters



Overview

- For Optics: $\varnothing 1''$
- Optics Thickness: Max 8 mm
- Center Height: 74 mm
- Weight: 0.27 kg
- Completed RSB-1 = RSD-1 + BM-2F
- Complete system includes adopting rotary stage and heighten kinematic mount
- Material : Aluminum
- Metric / Imperial Version
- To order Imperial model please add * I- * to Item

Specification & Item Numbers



- Optical Tables
- Stages
- Optical Mounts
- Components
- Motion Systems
- Education Systems
- Lasers
- Optics & Crystals
- Other Equipment