

C

Production Line C

Optical Mounts

Optical Tables

Stages

Optical Mounts

Components

Motion Systems

Education Systems

Lasers

Optics & Crystals

Other Equipment

Products Categories



New Products



Best Seller



All the mounts can also add lock ring.

1
Kinematic Mounts

1

C Type Kinematic Mount with 2 adjusters

C.03 - 09 / 65

1

C Type Kinematic Mount with 3 adjusters

C.10 - 12

1

Kinematic Round Mounts with 2 adjusters

C.13 - 23

2
Adaptors & Beam Steerers

2

Adaptors

C.31 - 32

2

C Mounts

C.33

2

Flip Mount

C.34

3
Gimbal Mounts

3

Compact Gimbal Mirror Mounts

C.41

3

Gimbal Mounts For Beamsplitters

C.42

3

Polarizer Rotary Mounts

C.43

4
Stainless Steel Mounts

4

Stainless Steel C Mounts

C.46 - 49

4

Stainless Steel Round Mounts

C.50 - 51

4

Stainless Steel Round Mounts

C.52

5
Fixed Lens Mounts

5

Compact Gimbal Mirror Mounts

C.55

5

Adjustable Radius Chucks

C.56

5

Filter Wheels Holder

C.57 - 58

1 NEW



Kinematic Round Mounts with 3 adjusters

• C.22 - 25

1



Kinematic Round Mounts with 4 adjusters

• C.26

1 NEW



Kinematic Prism / Reflective Mirror Mounts

• C.27 - 30 / 62

1 NEW



C Type Kinematic Mount with 2 adjusters

• C.65

2 BEST



Beam Steering Sets

• C.35 - 38

2



45° Optics Mounts / Angle Post

• C.39 - 40

2



Optic Adapter

• C.64


1 NEW



Vertical Dive Kinematic Mirror

• C.66

3



Rotary Mounts With 3 Adjusters

• C.44

3



Rotary Mounts With 3 Adjusters

• C.45

4



Stainless Steel Round Mounts

• C.53

4 BEST



Stainless Steel Round Mounts

• C.54

5



Lens Holder

• C.59


5



Objective Kinematic Tilt Mount

• C.60

5



Objective Kinematic Tilt Mount

• C.61

- Optical Tables
- Stages
- Optical Mounts
- Components
- Motion Systems
- Education Systems
- Lasers
- Optics & Crystals
- Other Equipment



TNC

C Type Kinematic Mount with 2 adjusters

Optical Tables

Stages

Optical Mounts

Components

Motion Systems

Education Systems

Lasers

Optics & Crystals


Other Equipment



Overview

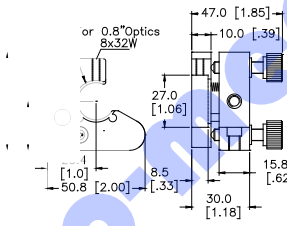
- For Optics: Ø 0.8", 1", 1.2", 1.5", 2"
- Adjustable Axis: (θ_x , θ_y)
- Designed for holding mirrors, beam splitters and other optics Teflon Tipped setscrew to fix lens
- Featuring unique Disc- Spring design (2 springs) for superior stiffness and stability
- C opening frame also allows broader angle for beam pass through
- Material : Aluminum
- Metric / Imperial version available
- Easy change of optics size with OA-1005 and OA-2010
- 100 pitch / 130 pitch screws available
- To order Imperial model please add * I - * to Item number

Specification & Item Numbers



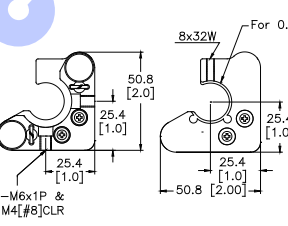
TNC-08 R / L

TNC-08 R




TNC-08R

TNC-08 L

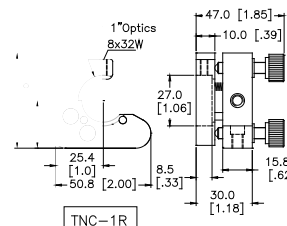


TNC-08L



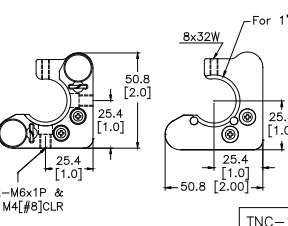
TNC-1 R / L

TNC-1 R



TNC-1R

TNC-1 L

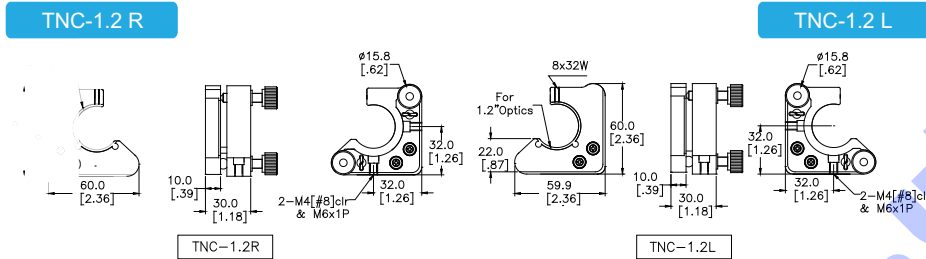


TNC-1L

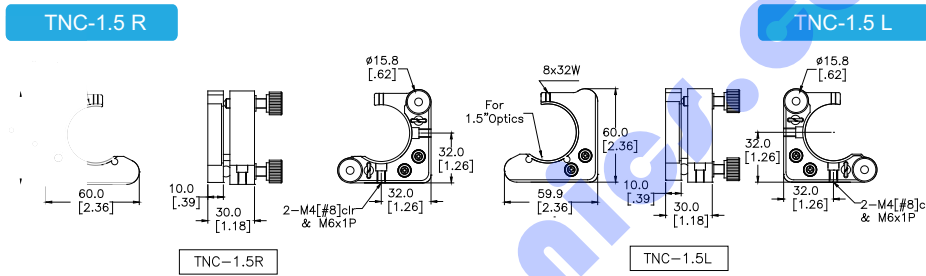




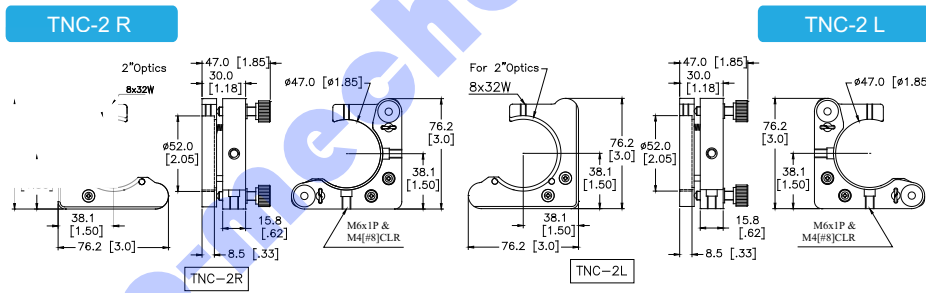
TNC-1.2 R / L



TNC-1.5 R / L



TNC-2 R / L



• **100** = 100 pitch screw / **130 (F)** = 130 pitch screw / To order Imperial model please add * **I-** * to Item number

Item Number	Drive Type	Optics Diameter Ø mm (inch)	Height of Holder Center mm (inch)	Travel Range (degree)	Weight (kg)
TNC-08 R (F)	100 / 130 (F)	20.0 (0.8")	25.4 (1")	± 4°	0.10
TNC-1 R (F)	100 / 130 (F)	25.0 (1")	25.4 (1")	± 4°	0.11
TNC-1.2 R (F)	100 / 130 (F)	30.0 (1.2")	38.1 (1.5")	± 4°	0.15
TNC-1.5 R (F)	100 / 130 (F)	38.1 (1.5")	38.1 (1.5")	± 4°	0.17
TNC-2 R (F)	100 / 130 (F)	50.8 (2")	38.1 (1.5")	± 4°	0.20
TNC-05 L (F)	100 / 130 (F)	12.5 (0.5")	15.0 (0.6")	± 4°	0.04
TNC-08 L (F)	100 / 130 (F)	20.0 (0.8")	25.4 (1")	± 4°	0.10
TNC-1 L (F)	100 / 130 (F)	25.0 (1")	25.4 (1")	± 4°	0.11
TNC-1.2 L (F)	100 / 130 (F)	30.0 (1.2")	38.1 (1.5")	± 4°	0.15
TNC-1.5 L (F)	100 / 130 (F)	38.1 (1.5")	38.1 (1.5")	± 4°	0.17
TNC-2 L (F)	100 / 130 (F)	50.8 (2")	38.1 (1.5")	± 4°	0.20
TNC-3 L(F)	100 / 130 (F)	76.2 (3")	55.0 (2.17")	± 4°	0.30
TNC-4 L(F)	100 / 130 (F)	101.2 (4")	69.0 (2.72")	± 4°	0.40
TNC-5 L(F)	100 / 130 (F)	127.0 (5")	82.5 (3.25")	± 4°	0.80
TNC-6 L(F)	100 / 130 (F)	152.4 (6")	97.0 (3.82")	± 4°	1.0



TM
CL

C Type Extensive Plate Kinematic Mounts

Optical Tables

Stages

Optical Mounts

Components

Motion Systems

Education Systems

Lasers

Optics & Crystals

Other Equipment



Overview

- Adjustable Axis: (θ_x, θ_y)
- Optics Thickness: Max 8 mm (0.31")
- Travel Range: $\pm 4^\circ$
- Weight: 0.15 kg
- Can be mounted directly on the platform
- Vertical and Horizontal mounts available
- Right and Left version for different path setting pattern
- Minimum distance between mounts can reach below 12.5 mm
- 100 pitch / 130 pitch screws available
- To order Imperial model please add * I - * to Item
- To order 130 pitch screws please add * F * to item

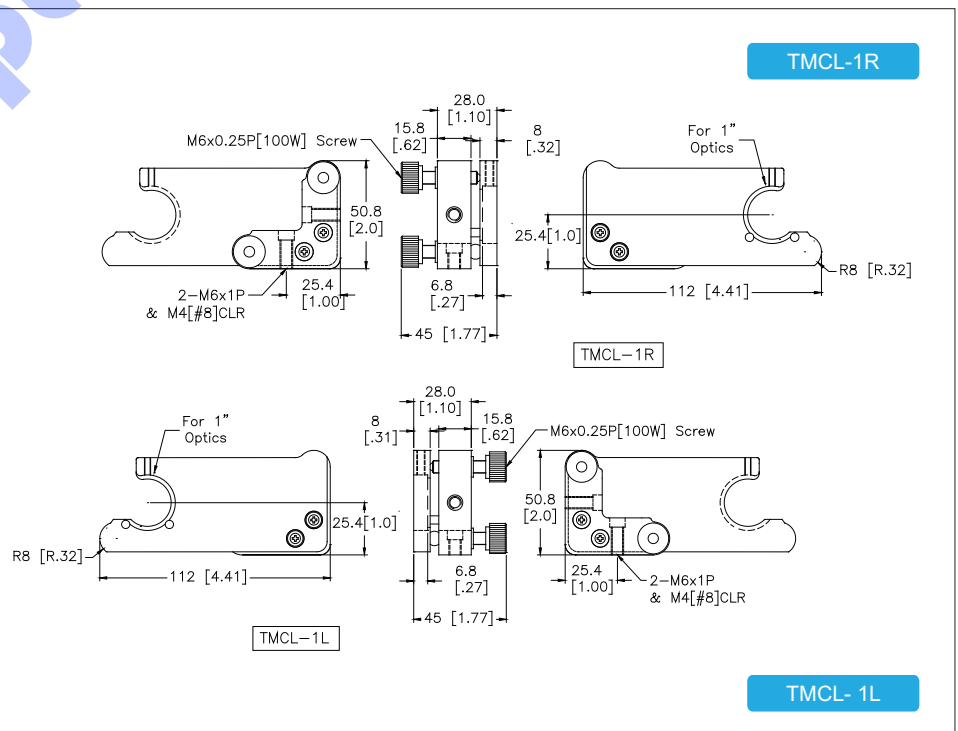
Specification



Extensive plate design

This unique mechanical design allows more optical components to be used in combination in short beam path. Featuring 2 high precision screws which can be functioned for micro adjustment.

The TMCL mounts are designed for holding the mirrors, beam splitters and other optics. Featuring unique Disc-Spring design for superior stiffness and stability. The extensive plate design also allowed optics or mirrors to be easily inserted in the optical path between fixed optical mounts without the need of rearranging the mounts again.

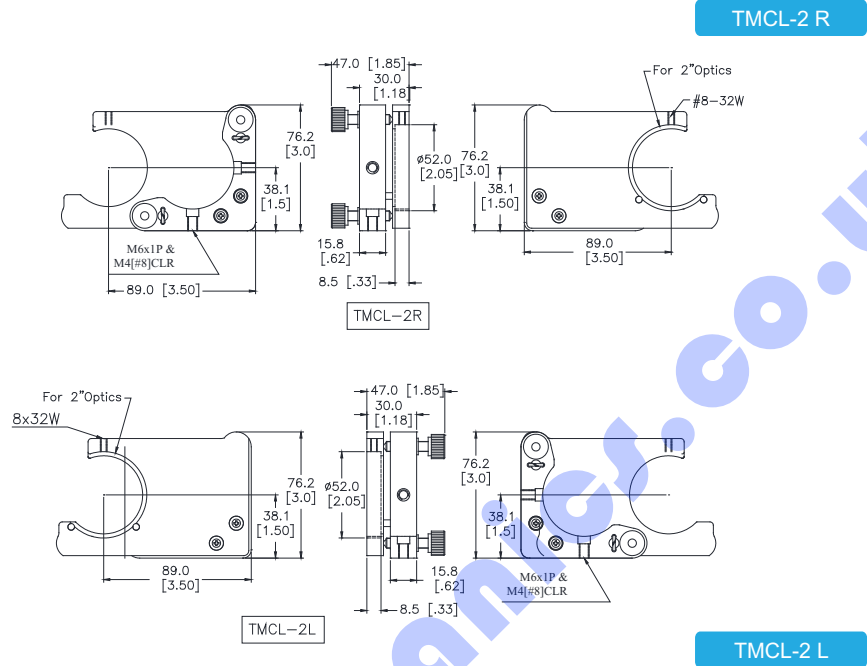




TMCL-2 R



TMCL-2 L



Item Numbers

Item Number	Drive Type (mm)	Diameter \varnothing mm (inch)	Height of Holder Center (mm)	Travel Range (mm)	Weight (kg)
TMCL-1 R (F)	100 / 130 (F)	25.0 (1")	25.4 (1")	$\pm 4^\circ$	0.15
TMCL-1 L (F)	100 / 130 (F)	25.0 (1")	25.4 (1")	$\pm 4^\circ$	0.15
TMCL-2 R (F)	100 / 130 (F)	50.8 (2")	50.8 (2")	$\pm 4^\circ$	0.27
TMCL-2 L (F)	100 / 130 (F)	50.8 (2")	50.8 (2")	$\pm 4^\circ$	0.27

- **100** = 100 pitch screw / **130 (F)** = 130 pitch screw
- To order Imperial model please add * **I** * to Item number

Optical Tables

Stages

Optical Mounts

Components

Motion Systems

Education Systems

Lasers

Optics & Crystals

Other Equipment



TMQ TMQC

Kinematic Mount for Rectangular Optics

Optical Tables

Stages

Optical Mounts

Components

Motion Systems

Education Systems

Lasers

Optics & Crystals

Other Equipment



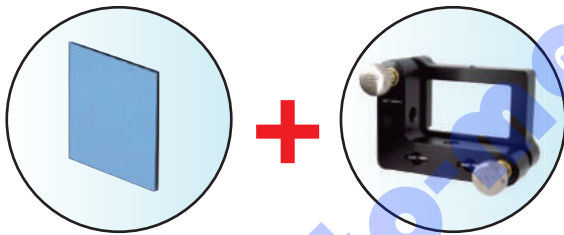
Overview

- The TMQC series are specially designed for holding rectangular mirrors, beam splitters and other optics.
- Two-axis adjusters (θ_x , θ_y)
- Teflon Tipped Setscrew to fix lens
- C opening frame allows broader angle for beam go through
- TMQC-1F in Disc-spring design for greater stability and better lifespan.
- TMQ-1.2F and TMQ-2F in 3 strong springs design
- Material : Aluminum with black anodized
- Metric / Imperial Version available
- 100 pitch / 130 pitch screws available
- To order Imperial model please add * I- * to Item number

Specification

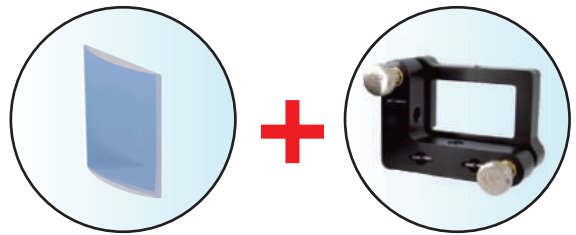
Application 1

Specially designed for holding rectangular optics



Application 2

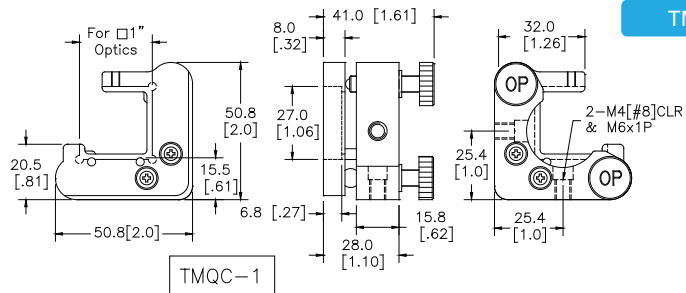
Specially designed for holding rectangular cylindrical optics



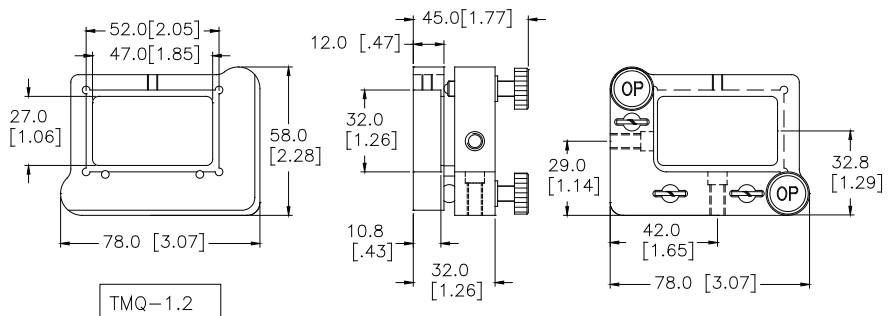
TMQC-1



TMQ-1.2

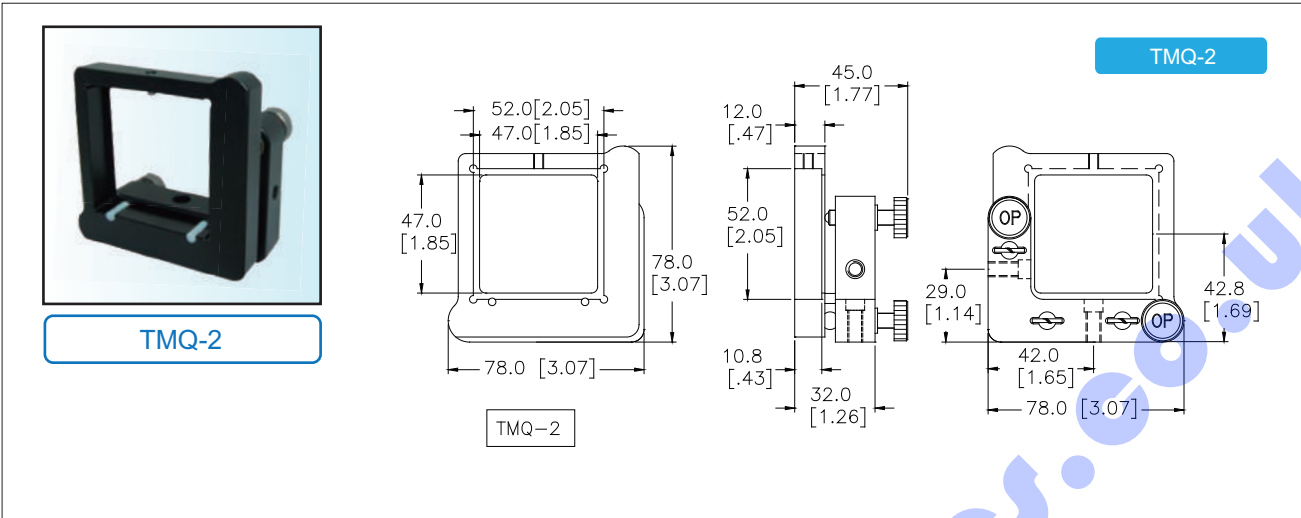


TMQC-1



TMQ-1.2

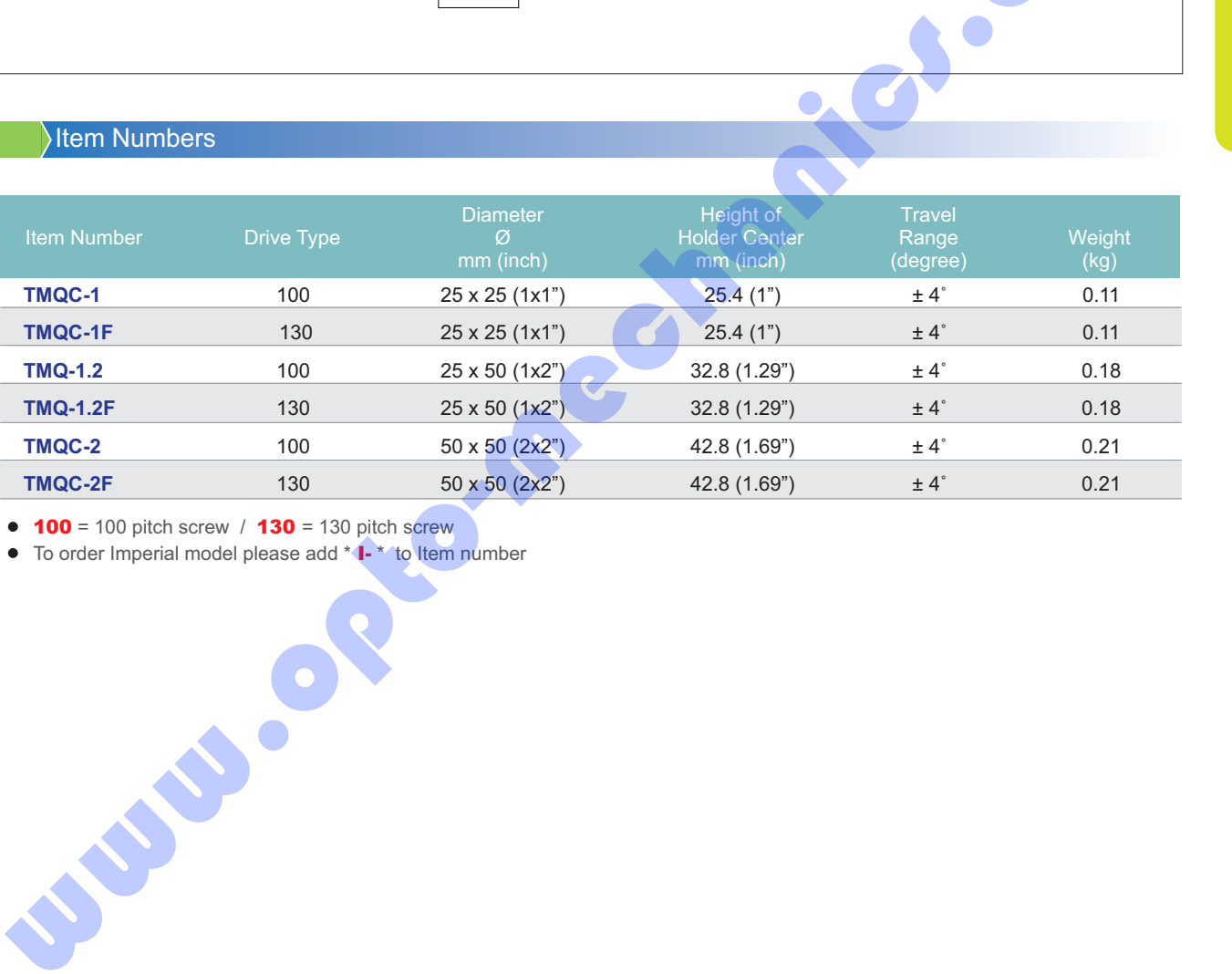
TMQ-1.2



Item Numbers

Item Number	Drive Type	Diameter Ø mm (inch)	Height of Holder Center mm (inch)	Travel Range (degree)	Weight (kg)
TMQC-1	100	25 x 25 (1x1")	25.4 (1")	± 4°	0.11
TMQC-1F	130	25 x 25 (1x1")	25.4 (1")	± 4°	0.11
TMQ-1.2	100	25 x 50 (1x2")	32.8 (1.29")	± 4°	0.18
TMQ-1.2F	130	25 x 50 (1x2")	32.8 (1.29")	± 4°	0.18
TMQC-2	100	50 x 50 (2x2")	42.8 (1.69")	± 4°	0.21
TMQC-2F	130	50 x 50 (2x2")	42.8 (1.69")	± 4°	0.21

- **100** = 100 pitch screw / **130** = 130 pitch screw
- To order Imperial model please add ***I*** to Item number



- Optical Tables
- Stages
- Optical Mounts
- Components
- Motion Systems
- Education Systems
- Lasers
- Optics & Crystals
- Other Equipment



TM
SC

C Type Kinematic Mount with 2 adjusters

Optical Tables

Stages

Optical Mounts

Components

Motion Systems

Education Systems

Lasers

Optics & Crystals

Other Equipment



Overview

- For Optics: Ø 1", 1.5" 2"
- Adjustable Axis: (θ_x , θ_y)
- Optics Thickness: Min 8 mm (0.31")
- Travel Range: $\pm 4^\circ$
- 3 strong springs preload for higher stability
- Teflon Tipped Setscrew to fix lens
- Can be mounted directly on the platform
- C opening frame design which allows broader angle for beam to go through
- Material : Aluminum
- Metric / Imperial Version
- 100 pitch / 130 pitch screws available
- To order Imperial model please add * I - * to item number

Specification & Item Numbers

TMSC-series

ITEM#	A	B	C
TMSC-05	12.5[0.5"]	15.2[0.6"]	31.0[1.27]
TMSC-08	20.32[0.8"]	25.4[1"]	50.8[2.0]
TMSC-1	25.0[1"]	25.4[1"]	50.8[2.0]
TMSC-1.5	38.1[1.5"]	32.0[1.26]	60.0[2.36]
TMSC-2	50.0[2"]	38.1[1.5"]	76.2[3.0]

• **100** = 100 pitch screw / **130 (F)** = 130 pitch screw • To order Imperial model please add * I - * to item number

Item Number	Drive Type	Optics Diameter Ø mm (inch)	Optics Thickness mm (inch)	Travel Range (degree)	Weight (kg)
TMSC-05R (F)	100 / 130 (F)	12.5 (0.5")	15.2 (0.6")	$\pm 4^\circ$	0.04
TMSC-08R (F)	100 / 130 (F)	20.3 (0.8")	25.4 (1")	$\pm 4^\circ$	0.12
TMSC-1R (F)	100 / 130 (F)	25 (1")	25.4 (1")	$\pm 4^\circ$	0.11
TMSC-1.5R (F)	100 / 130 (F)	38.1 (1.5")	32 (1.26")	$\pm 4^\circ$	0.14
TMSC-2R (F)	100 / 130 (F)	50 (2")	38.1 (1.5")	$\pm 4^\circ$	0.18
TMSC-05L (F)	100 / 130 (F)	12.5 (0.5")	15.2 (0.6")	$\pm 4^\circ$	0.04
TMSC-08L (F)	100 / 130 (F)	20.3 (0.8")	25.4 (1")	$\pm 4^\circ$	0.12
TMSC-1L (F)	100 / 130 (F)	25 (1")	25.4 (1")	$\pm 4^\circ$	0.11
TMSC-1.5L (F)	100 / 130 (F)	38.1 (1.5")	32 (1.26")	$\pm 4^\circ$	0.14
TMSC-2L (F)	100 / 130 (F)	50 (2")	38.1 (1.5")	$\pm 4^\circ$	0.18

C Type Kinematic Mount with 3 adjusters



Overview

- For Optics: Ø 1", 2"
- Adjustable Axis: (θ_x , θ_y , θ_z)
- Optics Thickness: Min 8 mm (0.31")
- Center Height: 25.4 mm (1")
- Travel Range: $\pm 4^\circ$
- 4 strong springs preload for higher stability
- Teflon tipped setscrew to fix lens
- Three-axis adjusters and C opening frame design which allows broader angle for beam to go through
- Material : Aluminum with black anodized
- 100 pitch / 130 pitch screws available
- Metric / Imperial version available
- To order Imperial model please add * I - * to Item number

Specification & Item Numbers

TTMSC-1 R / L

TTMSC-1 R

TTMSC-1 L

TTMSC-2 R / L

TTMSC-2 R

TTMSC-2 L

Item Number	Drive Type	Optics Ø (mm)	Optics Thickness (mm)	Center Height (mm)	Travel Range (degree)	Weight / Load (kg)
TTMSC-1R (F)	100 / 130 (F)	25 (1")	Min 3	25.4(1")	$\pm 4^\circ$	0.12
TTMSC-1L (F)	100 / 130 (F)	25 (1")	Min 3	25.4(1")	$\pm 4^\circ$	0.12
TTMSC-2R (F)	100 / 130 (F)	50 (2")	Min 3	38.1(1.5")	$\pm 4^\circ$	0.22
TTMSC-2L (F)	100 / 130 (F)	50 (2")	Min 3	38.1(1.5")	$\pm 4^\circ$	0.22

• **M** = Micrometer / **100** = 100 pitch screw / **130 (F)** = 130 pitch screw
 • To order Imperial model please add * I - * to Item number



TT
MC

C Type Kinematic Mount with 3 adjusters

Optical Tables

Stages

Optical Mounts

Components

Motion Systems

Education Systems

Lasers

Optics & Crystals

Other Equipment



Overview


- For Optics: \varnothing 0.5", 0.6", 1", 1.2", 2", 4"
- Adjustable Axis: (θ_x , θ_y , θ_z)
- Travel Range: $\pm 4^\circ$
- Designed for holding mirrors, beam splitters and other optics with the benefits of reducing incident angle and minimizing beam distortion
- Featuring 3 axis adjusters and 4 strong springs reload for higher stability
- Can be mounted directly on the platform
- Material : Aluminum with black anodized
- Metric / Imperial version available
- 100 pitch / 130 pitch screws available
- To order Imperial model please add * I - * to Item number

Specification & Item Numbers

	TTMC-05 R							TTMC-05 L
TTMC-05 L / R		TTMC-05R				TTMC-05L		
	TTMC-06 R							TTMC-06 L
TTMC-06 L / R		TTMC-06R				TTMC-06L		
	TTMC-1 R							TTMC-1 L
TTMC-1 L / R		TTMC-1R				TTMC-1L		

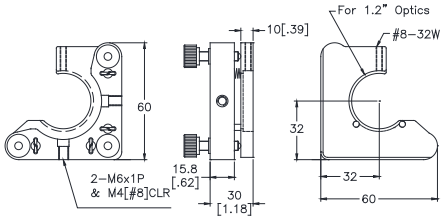






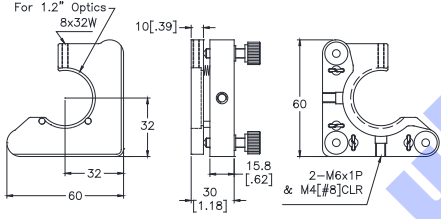
TTMC-1.2 L / R

TTMC-1.2 R




TTMC-1.2R

TTMC-1.2 L

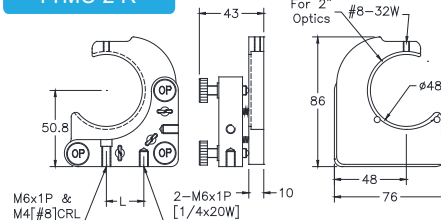


TTMC-1.2L

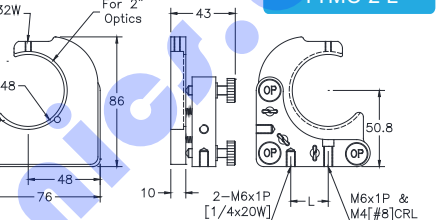


TTMC-2 L / R


TTMC-2 R



TTMC-2 L

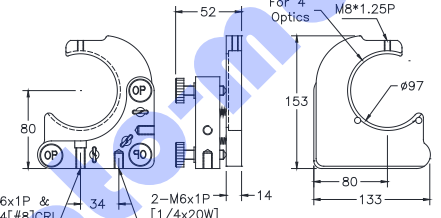


UNIT: mm										
ITEM#	A	B	C	D	E	F	G	H	K	L
TTMC-2	2"	#8x32W	86.5	48.0	48.0	76.0	43.0	50.8	10.0	25.0
TTMC-4	4"	M8x1.25	153.0	97.0	80.0	133.0	52.0	80.0	14.0	34.0

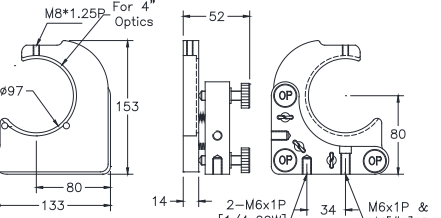


TTMC-4 L / R

TTMC-4 R



TTMC-4 L



● **100** = 100 pitch screw / **130 (F)** = 130 pitch screw / To order Imperial model please add * **I-*** to Item number

Item Number	Drive Type	Optics Diameter Ø mm (inch)	Height of Holder Center mm (inch)	Travel Range (degree)	Weight (kg)
TTMC-05 R (F)	100 / 130 (F)	12.5 (0.5")	25.4 (1")	± 4°	0.06
TTMC-06 R (F)	100 / 130 (F)	15.0 (0.6")	25.4 (1")	± 4°	0.06
TTMC-1 R (F)	100 / 130 (F)	25.0 (1")	25.4 (1")	± 4°	0.12
TTMC-1.2 R (F)	100 / 130 (F)	30.0 (1.2")	25.4 (1")	± 4°	0.12
TTMC-2 R (F)	100 / 130 (F)	50.0 (2")	50.8 (2")	± 4°	0.22
TTMC- 4 R (F)	100 / 130 (F)	100.0 (4")	80.8 (3.18")	± 3°	0.51
TTMC-05 L (F)	100 / 130 (F)	12.5 (0.5")	25.4 (1")	± 4°	0.06
TTMC-06 L (F)	100 / 130 (F)	15.0 (0.6")	25.4 (1")	± 4°	0.06
TTMC-1 L (F)	100 / 130 (F)	25.0 (1")	25.4 (1")	± 4°	0.12
TTMC-1.2 L (F)	100 / 130 (F)	30.0 (1.2")	25.4 (1")	± 4°	0.12
TTMC-2 L (F)	100 / 130 (F)	50.0 (2")	50.8 (2")	± 4°	0.22
TTMC- 4 L (F)	100 / 130 (F)	100.0 (4")	80.8 (3.18")	± 3°	0.51



BM

Beam Splitter Mounts with 2 adjusters

Optical Tables

Stages

Optical Mounts

Components

Motion Systems

Education Systems

Lasers

Optics & Crystals

Other Equipment

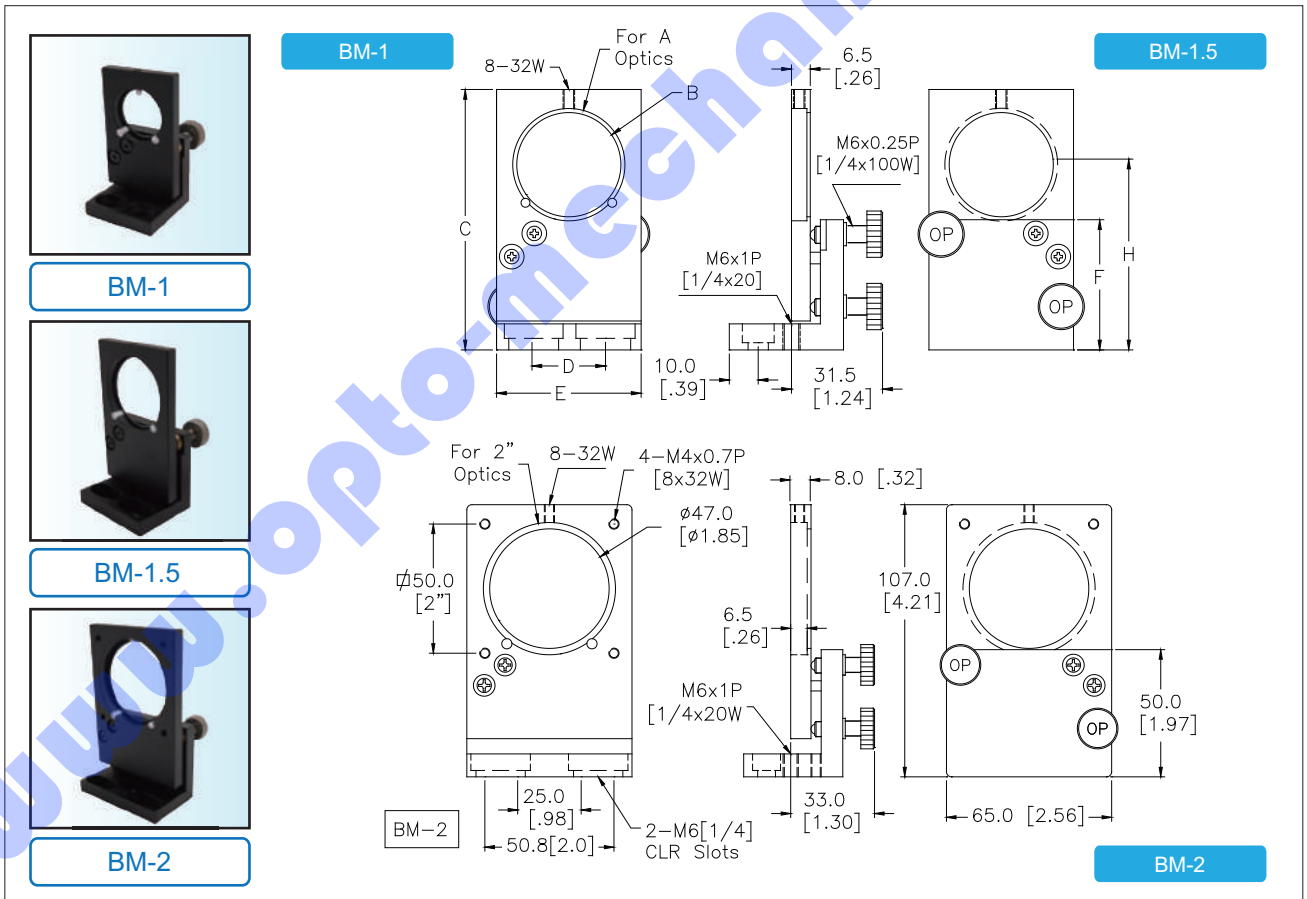


BM-1 / BM-1.5 / BM-2

Overview

- For Optics: Ø 1", 1.5", 2"
- Optics Thickness: 3~8 mm (0.12~0.31")
- Adjustable Axis: θ_x, θ_y
- Travel Range: $\pm 4^\circ$
- Teflon tipped setscrew to fix lens
- L base heighten mounting frame
- Unique Disc-Spring design
- Material : Aluminum with black anodized
- Metric / Imperial version available
- 100 pitch / 130 pitch screws available
- To order Imperial model please add * I- * to Item number

Specification & Item Numbers



• 100 = 100 pitch screw / 130 (F) = 130 pitch screw / To order Imperial model please add * I- * to Item number

Item Number	Drive Type	Optics Diameter Ø mm (inch)	Travel Range (degree)	Weight (kg)
BM-1 (F)	100 / 130 (F)	25.0 (1")	$\pm 4^\circ$	0.12
BM-1.5 (F)	100 / 130 (F)	38.0 (1.5")	$\pm 4^\circ$	0.15
BM-2 (F)	100 / 130 (F)	50.0 (2")	$\pm 4^\circ$	0.22

Kinematic Round Mounts with 2 adjusters



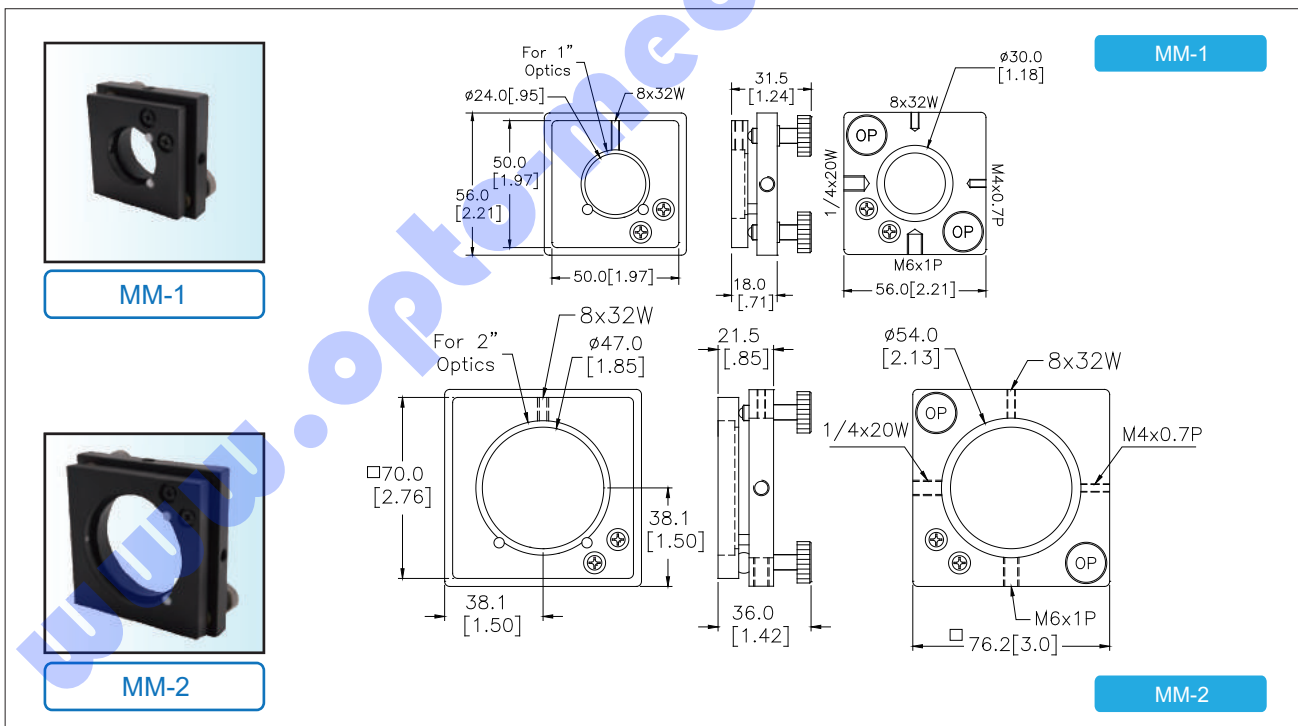
MM-1 / MM-2

Overview

- For Optics: \varnothing 1", 2"
- Optics Thickness: Min 8mm (0.31")
- Adjustable Axis: θ_x, θ_y
- Travel Range: $\pm 4^\circ$
- Disc-spring design for greater stability and better lifespan
- Teflon Tipped Setscrew to fix lens
- Material : Aluminum with black anodized
- Metric / Imperial version available
- 100 pitch / 130 pitch screws available
- To order Imperial model please add * I - * to Item number

Specification & Item Numbers

The MM-series kinematic mounts are specially designed for holding mirrors, beam splitters and other optics. Featuring unique Disc-Spring design which provides superior stiffness and stability. Both MM-1 and MM-2 come with high resolution 100 / 130-pitch adjustment screws with brass sleeve for repeatability and accurate adjustment.



- **100** = 100 pitch screw / **130 (F)** = 130 pitch screw / To order Imperial model please add * I - * to Item number

Item Number	Drive Type	Optics Diameter \varnothing mm (inch)	Travel Range (degree)	Center Holder Height mm (inch)	Weight (kg)
MM-1 (F)	100 / 130 (F)	25.0 (1")	$\pm 4^\circ$	28.0 (1.1")	0.15
MM-2 (F)	100 / 130 (F)	50.0 (2")	$\pm 4^\circ$	38.1 (1.5")	0.29



MN

Kinematic Round Mounts with 2 adjusters

Optical Tables

Stages

Optical Mounts

Components

Motion Systems

Education Systems

Lasers

Optics & Crystals

Other Equipment

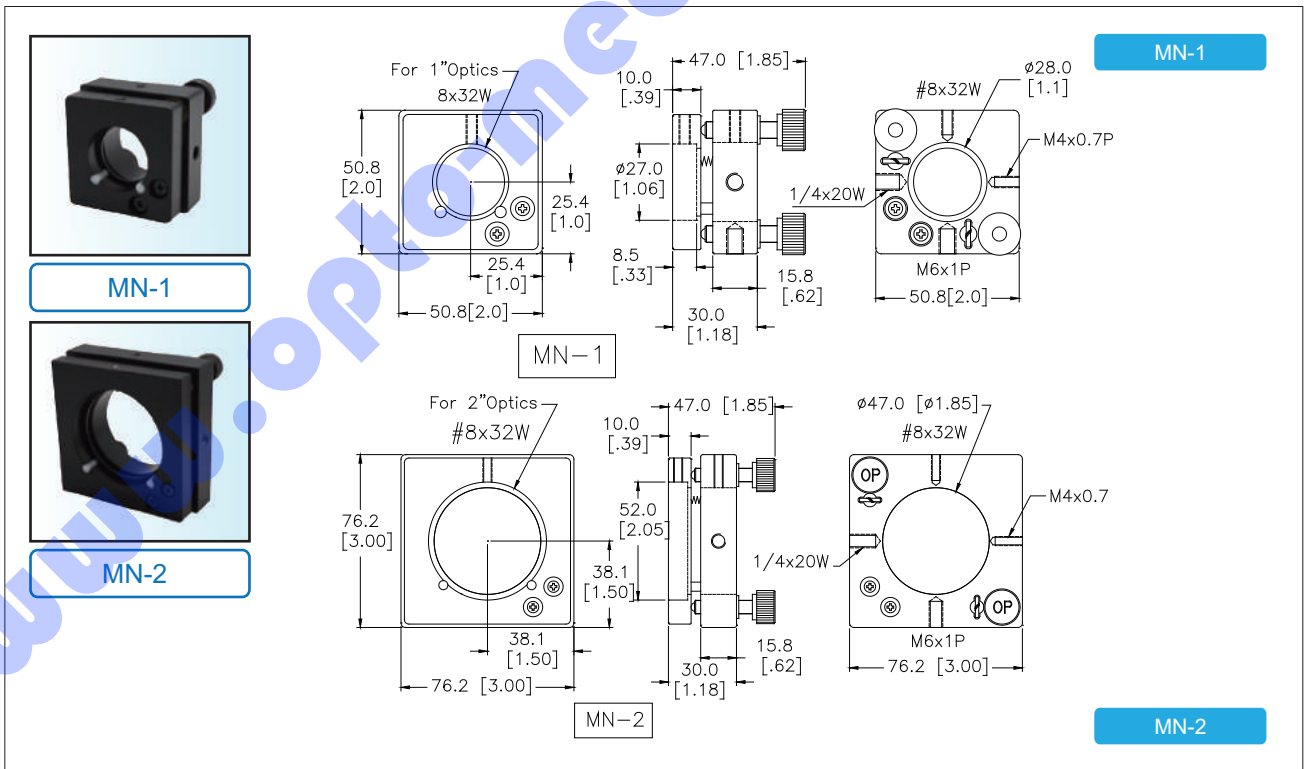


Overview

- For Optics: Ø 1", 2"
- Optics Thickness: Min 8 mm (0.31")
- Adjustable Axis: θ_x, θ_y
- Travel Range: $\pm 4^\circ$
- Can be mounted directly on the platform
- Unique Disc-Spring design
- Teflon tipped setscrew to fix lens
- Material : Aluminum with black anodized
- Metric / Imperial version available
- 100 pitch / 130 pitch screws available
- To order Imperial model please add * I- * to Item number

Specification & Item Numbers

The MN-series kinematic mounts are specially designed for holding mirrors, beam splitters and other optics. Both mounts featuring Disc-Spring design which provides superior stiffness and nylon tipped setscrew to fix and protect lens. The series also feature high resolution 100-pitch adjustment screws with brass sleeves for repeatability and very fine adjustment.



• **100** = 100 pitch screw / **130 (F)** = 130 pitch screw / To order Imperial model please add * I- * to Item number

Item Number	Drive Type	Optics Diameter Ø mm (inch)	Travel Range (degree)	Height of Center Height mm (inch)	Weight (kg)
MN-1 (F)	100 / 130 (F)	25.0 (1")	$\pm 4^\circ$	25.4 (1")	0.16
MN-2 (F)	100 / 130 (F)	50.8 (2")	$\pm 4^\circ$	38.1 (1.5")	0.30

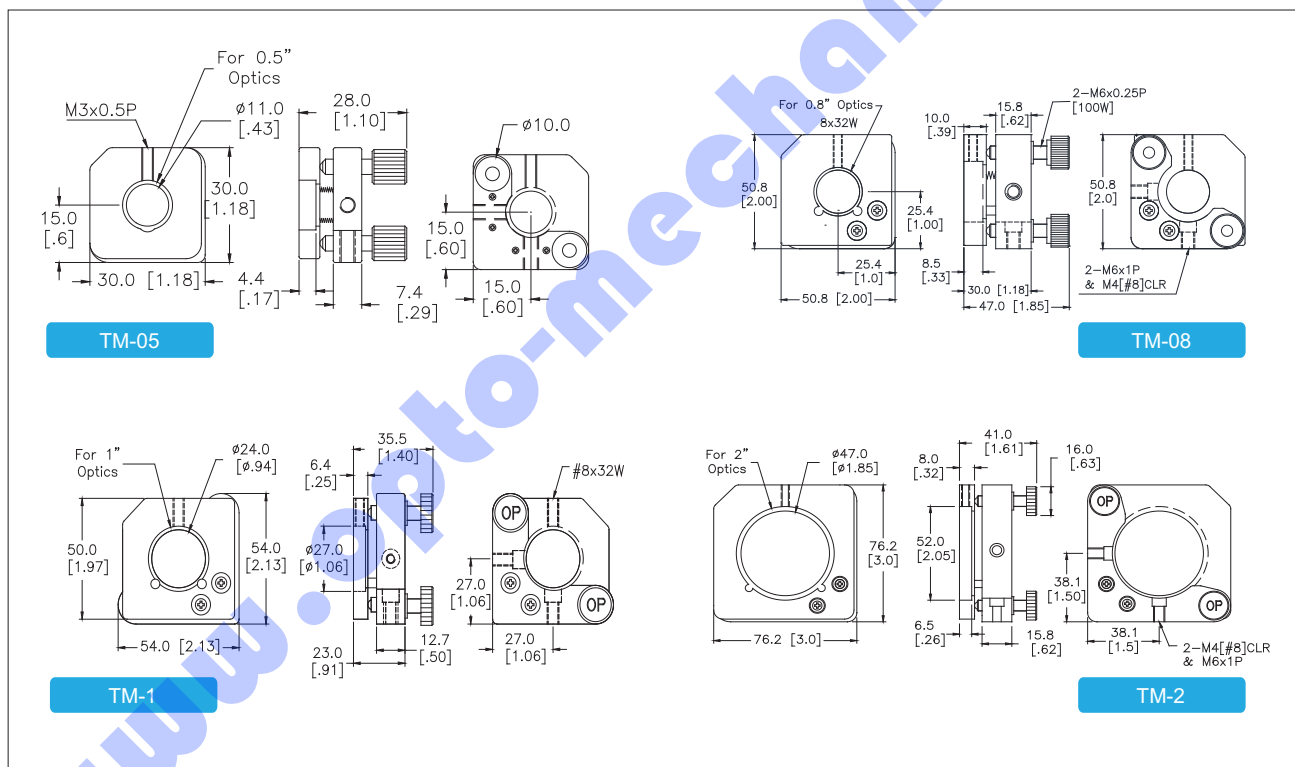
Kinematic Round Mounts with 2 adjusters



Overview

- For Optics: Ø 0.8", 0.5", 1", 2"
- Optics Thickness: 3~8mm(0.12~0.31")
- Disc-spring design for greater stability and better lifespan
- Teflon Tipped Setscrew to fix lens
- Material : Aluminum with black anodized
- Metric Version / Imperial version available
- 100 pitch / 130 pitch screws available
- To order Imperial model please add * I- * to Item number

Specification & Item Numbers



Item Numbers

• **100** = 100 pitch screw / **130 (F)** = 130 pitch screw / To order Imperial model please add * I- * to Item number

Item Number	Drive Type	Optics Diameter Ø mm (inch)	Travel Range (degree)	Center Holder Height mm (inch)	Weight (kg)
TM-08 (F)	100 / 130 (F)	20 (0.8")	± 4°	25.4 (1")	0.11
TM-05 (F)	100 / 130 (F)	12.5 (0.5")	± 4°	15 (0.6")	0.03
TM-1 (F)	100 / 130 (F)	25.4 (1")	± 4°	25.4 (1")	0.12
TM-2 (F)	100 / 130 (F)	50.0 (2")	± 4°	38.1 (1.5")	0.20



TMS

Kinematic Round Mounts with 2 adjusters

Optical Tables

Stages

Optical Mounts

Components

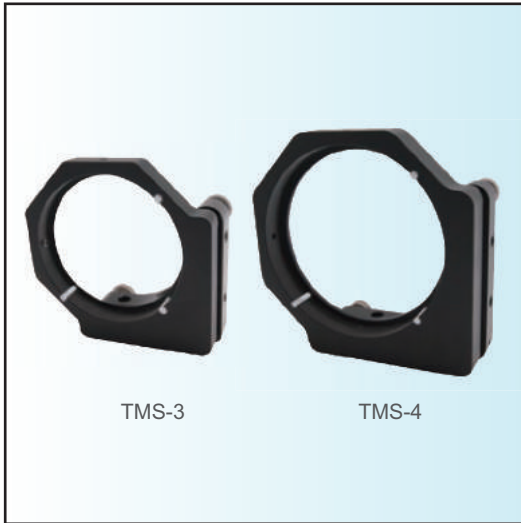
Motion Systems

Education Systems

Lasers

Optics & Crystals

Other Equipment



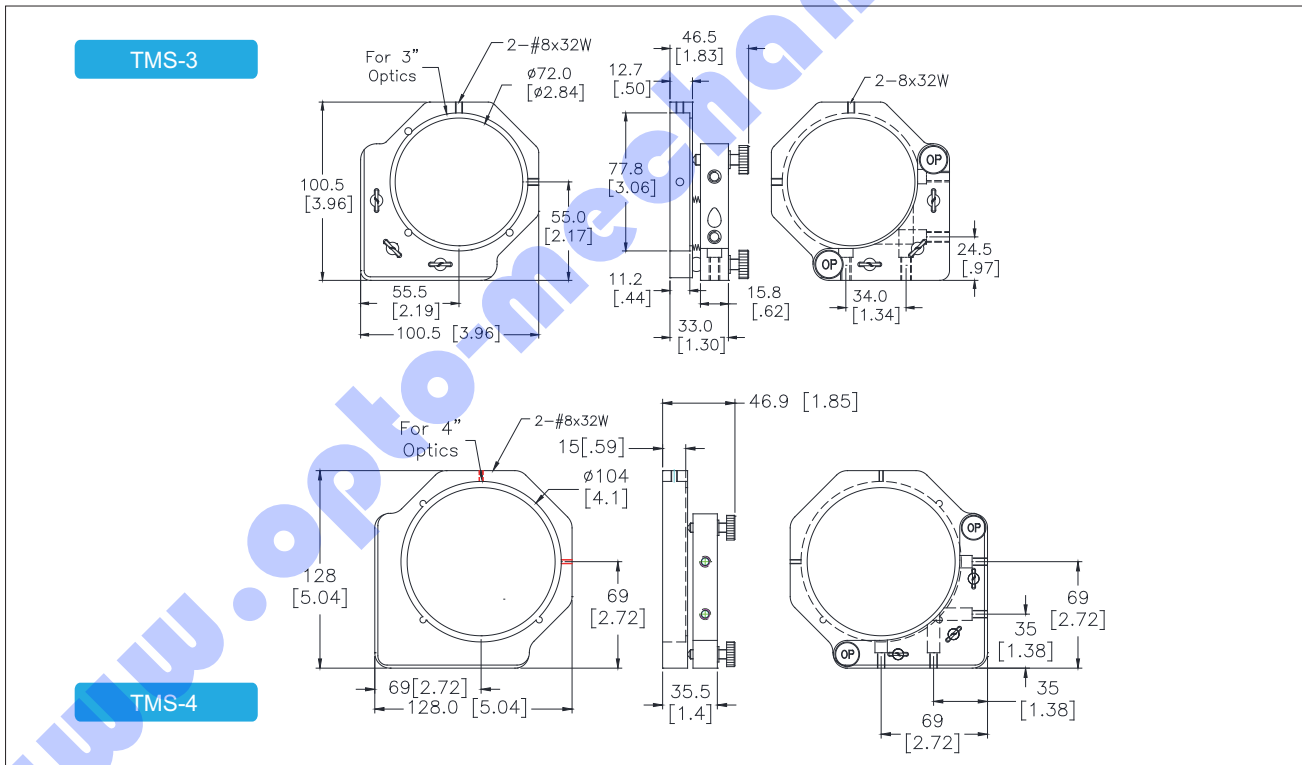
TMS-3

TMS-4

Overview

- For Optics: Ø 3", 4"
- Optics Thickness: 3~8mm(0.12~0.31")
- Disc-spring design for greater stability and better lifespan
- Teflon Tipped Setscrew to fix lens
- Material : Aluminum with black anodized
- Metric Version / Imperial version available
- 100 pitch / 130 pitch screws available
- To order Imperial model please add * I- * to Item number

Specification & Item Numbers



Item Numbers

- **100** = 100 pitch screw / **130 (F)** = 130 pitch screw / To order Imperial model please add * I- * to Item number

Item Number	Drive Type	Optics Diameter Ø mm (inch)	Travel Range (degree)	Center Holder Height mm (inch)	Weight (kg)
TMS-3	100 / 130 (F)	75.0 (3")	± 4°	55.5 (2.19")	0.25
TMS-3F	100 / 130 (F)	75.0 (3")	± 4°	55.5 (2.19")	0.25
TMS-4	100 / 130 (F)	100 (4")	± 4°	69.0 (2.72")	0.43
TMS-4F	100 / 130 (F)	100 (4")	± 4°	69.0 (2.72")	0.43

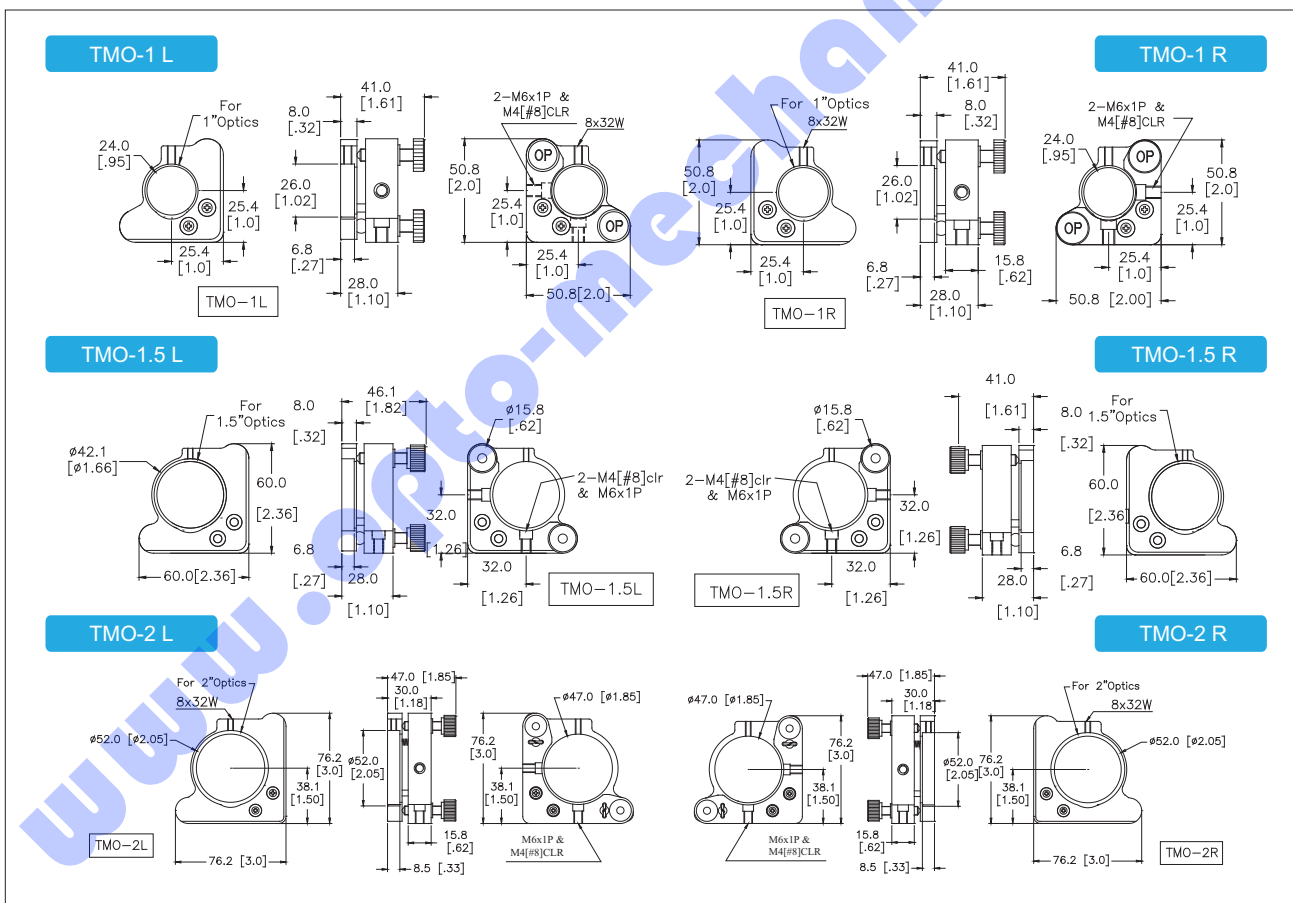
Kinematic Round Mounts with 2 adjusters



Overview

- For Optics: Ø 1", 1.5", 2"
- Adjustable Axis: θ_x, θ_y
- Teflon tipped locking screw
- Disc Spring design
- Removable Adjuster Knobs (optional)
- Custom design is upon request
- Material : Aluminum
- Metric Version / Imperial version
- 100 pitch / 130 pitch screws available
- To order Imperial model please add * I - * to Item number
- To order 130 pitch screws please add * F * to item number

Specification & Item Numbers



• **100** = 100 pitch screw / **130 (F)** = 130 pitch screw / To order Imperial model please add * I - * to Item number

Item Number	Drive Type	Optics Diameter Ø mm (inch)	Center Height mm (inch)	Weight (kg)
TMO-1 L / R (F)	100 / 130 (F)	25 (1")	25.4 (1")	0.13
TMO-1.5 L / R (F)	100 / 130 (F)	38 (1.5")	32 (1.26")	0.16
TMO-2 L / R (F)	100 / 130 (F)	50 (2")	38.1 (1.5")	0.19



TM
SO

Kinematic Round Mounts with 2 adjusters

Optical Tables

Stages

Optical Mounts

Components

Motion Systems

Education Systems

Lasers

Optics & Crystals


Other Equipment



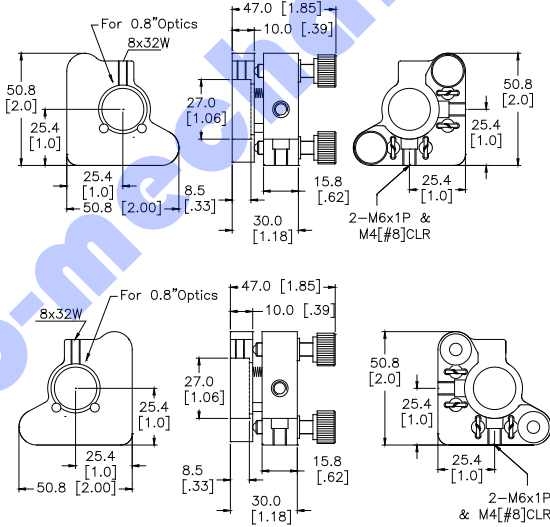
Overview

- One of our most recommended best sellers
- For Optics: \varnothing 0.8", 1", 1.2", 2"
- Adjustable Axis: θ_x , θ_y
- Left and Right (L / R) versions available
- 3 strong springs design
- Teflon Tip to protect and fix lens
- Material : Aluminum with black anodized
- 100 pitch / 130 pitch screws available
- Metric / Imperial version available
- To order Imperial model please add * I-* to Item number

Specification



TMSO-08 L / R




For 0.8" Optics
8x32W

47.0 [1.85]
10.0 [.39]
50.8 [2.0]
25.4 [1.0]
27.0 [1.06]
25.4 [1.0]
50.8 [2.00]
8.5 [.33]
30.0 [1.18]
15.8 [.62]
25.4 [1.0]
25.4 [1.0]

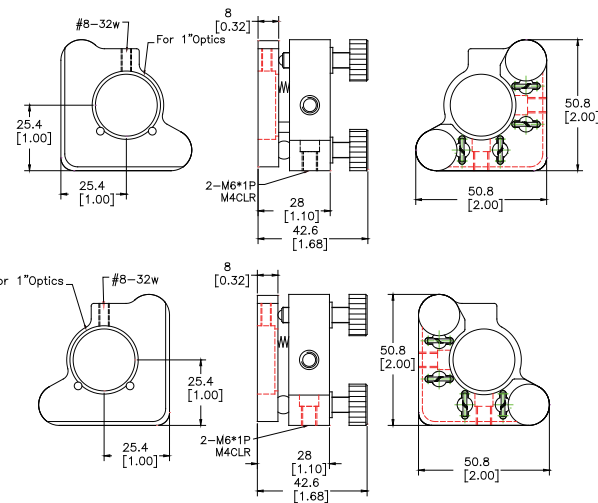
2-M6x1P & M4[#8]CLR

TMSO-08 R

TMSO-08 L



TMSO-1 L / R



#8-32w For 1" Optics


8 [0.32]
25.4 [1.00]
25.4 [1.00]
28 [1.10]
42.6 [1.68]
50.8 [2.00]
50.8 [2.00]

2-M6*1P M4CLR

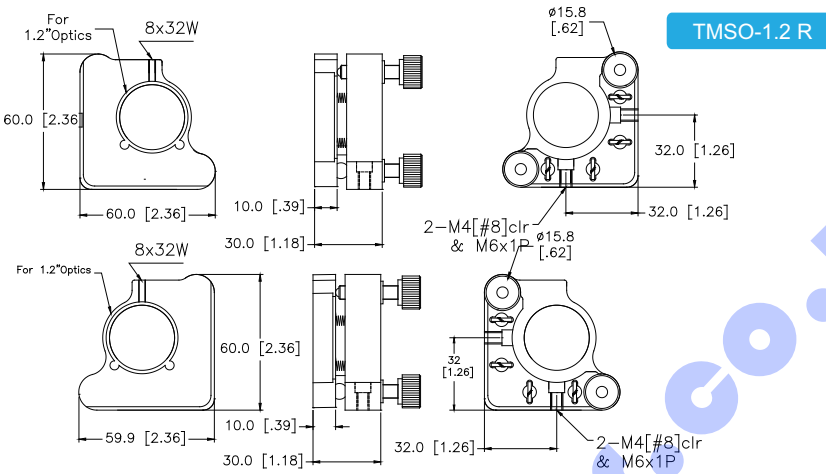
TMSO-1 R

TMSO-1 L






TMSO-1.2 L / R

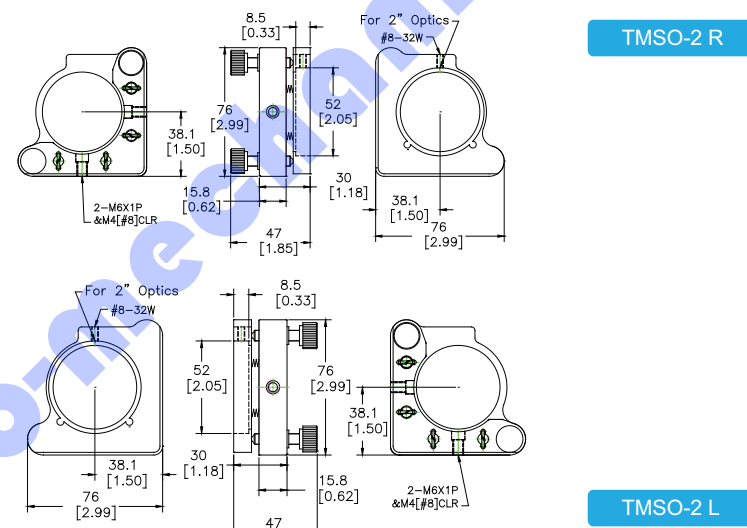


TMSO-1.2 R

TMSO-1.2 L



TMSO-2 L / R



TMSO-2 R

TMSO-2 L

Item Numbers

Item Number	Drive Type	Optics Diameter Ø mm (inch)	Center Holder Height mm (inch)	Weight (kg)
TMSO-08 R (F)	100 / 130 (F)	20 (0.8")	25.4 (1")	0.10
TMSO-1 R (F)	100 / 130 (F)	25 (1")	25.4 (1")	0.12
TMSO-1.2 R (F)	100 / 130 (F)	30 (1.2")	38.1 (1.5")	0.13
TMSO-2 R (F)	100 / 130 (F)	50 (2")	38.1 (1.5")	0.18
TMSO-08 L (F)	100 / 130 (F)	20 (0.8")	25.4 (1")	0.10
TMSO-1 L (F)	100 / 130 (F)	25 (1")	25.4 (1")	0.12
TMSO-1.2 L (F)	100 / 130 (F)	30 (1.2")	38.1 (1.5")	0.13
TMSO-2 L (F)	100 / 130 (F)	50 (2")	38.1 (1.5")	0.18

● **100** = 100 pitch screw / **130 (F)** = 130 pitch screw / To order Imperial model please add * **I**-* to Item number



TTL

Kinematic Mount for 0.5", 0.6" optics

Optical Tables

Stages

Optical Mounts

Components

Motion Systems

Education Systems

Lasers

Optics & Crystals

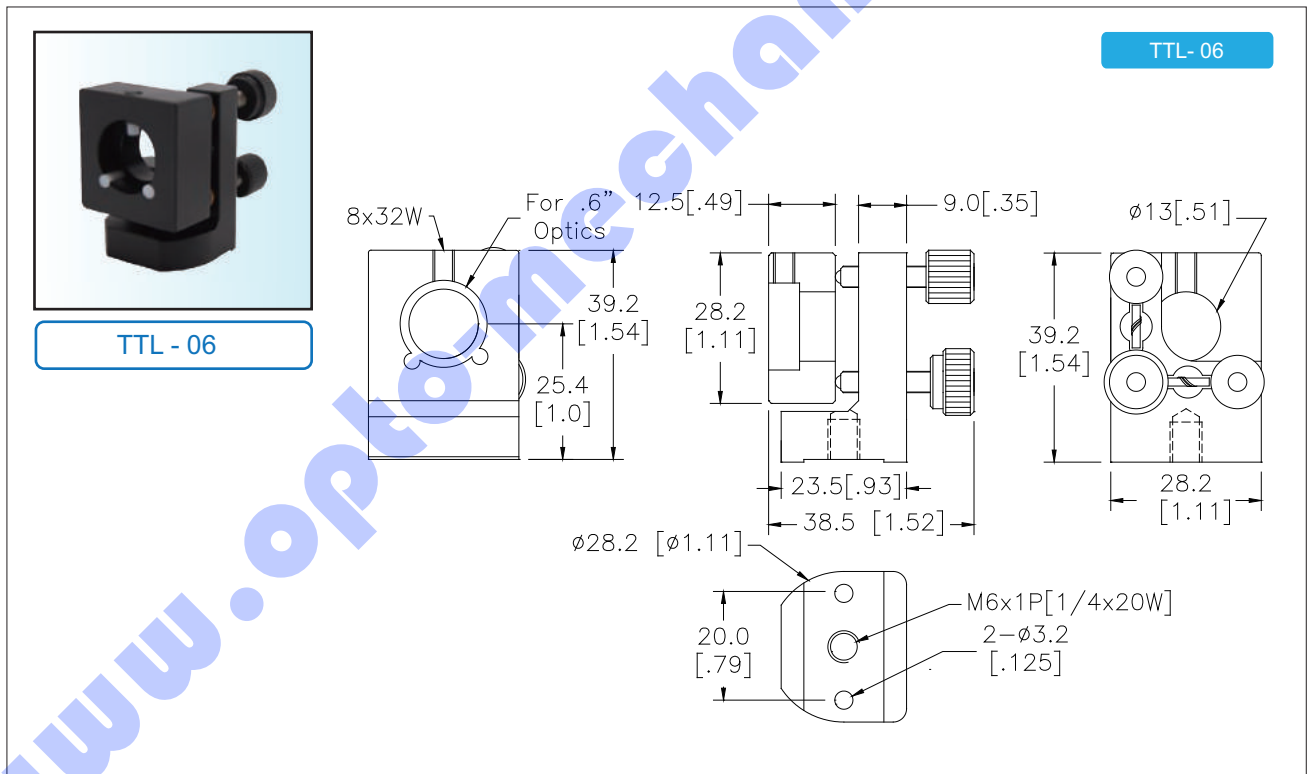
Other Equipment



Overview

- For Optics: Ø 0.5", 0.6"
- Adjustable Axis: (θ_x , θ_y , θ_z)
- Optics Thickness: 3 ~8mm(0.12~0.31")
- Center Height: 25.4 mm (1")
- Travel Range: $\pm 4^\circ$
- Weight: 0.05 kg
- Reduce incident angle & minimize beam distortion
- Material : Aluminum with black anodized
- Metric / Imperial version available
- To order Imperial model please add *-I-* to Item number

Specification & Item Numbers



Item Number	Drive Type (mm)	Optics Ø (inch)	Adjustable Axis	Optics Thickness mm (inch)	Center Height mm (inch)	Travel Range (degree)	Weight / Load (kg)
TTL-05	100	0.5"	θ_x , θ_y , θ_z	3 (0.12")~8(0.31")	25.4 (1")	$\pm 4^\circ$	0.05
TTL-05 F	130	0.5"	θ_x , θ_y , θ_z	3 (0.12")~8(0.31")	25.4 (1")	$\pm 4^\circ$	0.05
TTL-06	100	0.6"	θ_x , θ_y , θ_z	3 (0.12")~8(0.31")	25.4 (1")	$\pm 4^\circ$	0.05
TTL-06 F	130	0.6"	θ_x , θ_y , θ_z	3 (0.12")~8(0.31")	25.4 (1")	$\pm 4^\circ$	0.05

- **M** = Micrometer / **100** = 100 pitch screw / **130** = 130 pitch screw
- To order Imperial model please add *-I-* to Item number

Kinematic Round Mounts with 2 adjusters



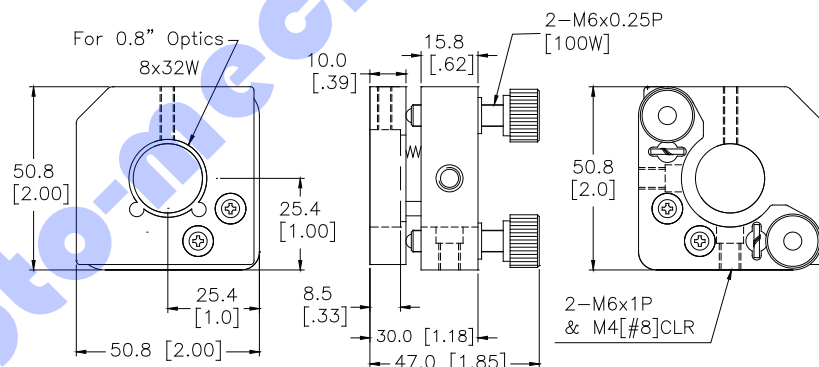
Overview

- For Optics: \varnothing 0.8", 1", 1.2", 1.5", 2"
- Adjustable Axis: θ_x, θ_y
- Specially designed for holding mirrors, beam splitters and other optics
- Unique Disc-Spring design for superior stiffness and stability
- Can be mounted directly on the platform
- Easy change of optics size with OA-1005, OA-2010
- Material : Aluminum with black anodized
- Matric Version / Imperial version available
- 100 pitch / 130 pitch screws available
- To order 130 pitch screws please add * F * to item number
- To order Imperial model please add * I - * to Item number

Specification & Item Numbers



TN-08



TN-1

