



PRS

Precision Rotary Stages

Optical Tables

Stages

Optical Mounts

Components

Motion Systems

Education Systems

Lasers

Optics & Crystals

Other Equipment




Overview

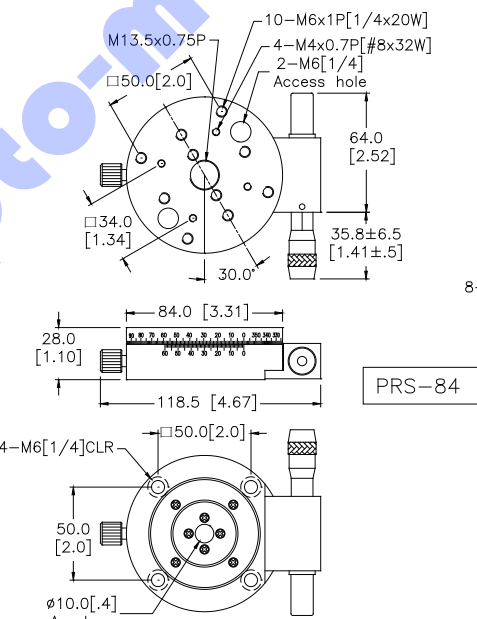
- Stage Diameter: Ø84mm
- Base Dimension: 90 x 84 x 9.5 mm
- Coarse Adjustment: 360°
- Fine Adjustment: ±5°
- Weight: 0.64 kg (PRS-84)
- Load: 8 kg
- Read Resolution: 1arc-min
- Drive Type: Micrometer
- Read Resolution: 1arc-min
- Travel Guide: V-grooved ball bearing
- Metric / Imperial version available
- Material: Aluminum
- To order Imperial model please add * I - * to Item number

Specification & Item Numbers


The PRS-84 rotary stages feature continuous 360° coarse rotation when loosen the side lock screw. ±5° precision adjustment driven by precision Micrometer with the side screw locked in place. Generous array of Imperial or Metric tapped mounting holes are provided. Bottom base can be added by ordering (PRS-84B).



PRS-84

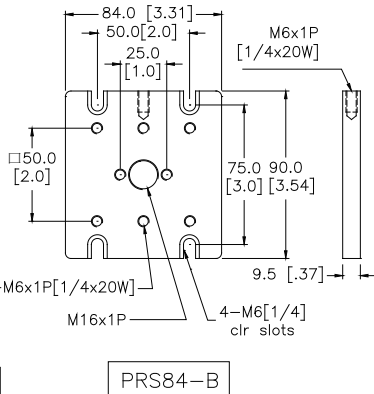


PRS-84



*Base plate only
Stage not included

PRS-84B



PRS84-B

Item Number	Travel Guide	Rotation Range	Drive Type	Read Resolution (arc-min)	Read Resolution (arc-min)	Precision Adjustment (degree)	Weight / Load (kg)
PRS - 84	BB	360° cont	100	Ø 84 (2.60")	1	± 5°	0.42 / 5
PRS - 84B	Base plate for PRS-84 precision rotary stage with dimension of 90 x 84 x 9.5 mm (3.54 x 3.3 x 0.37")						

• I = To order Imperial model please add * I - * to Item number / BB = Ball Bearing / 100 = 100 pitch adjustment screw

Compact Rotary Stages



Overview

- Stage Diameter : Ø54.2 mm / Ø79 mm
- Coarse / Fine Adjustment : 360° continuous rotation
- Weight : 0.21 kg (RS-1) / 0.40 kg (RS-2)
- Load : 2 kg
- Bearing Type : Ball bearing
- Metric / Imperial version
- Material : Aluminum with black anodized
- Center and side with M6x1P tapped mounting holes
- Platform laser marked 360° scales with resolution 1°
- To order Imperial model please add * I - * to Item number
- MC-2 is not included and can be purchased separately for holding cylindrical optics

Specification & Item Numbers

RS-1

RS-2

RS-1

RS-2

Item Number	Travel Guide	Rotation Range	Drive Type	Platform Diameter (arc-min)	Center & Side Mounting Holes	Weight (kg)	Load (kg)
RS - 1	BB	360° cont	Gear	Ø 54.5 (2.15")	M6 x 1P	0.21	2
RS - 2	BB	360° cont	Gear	Ø 75.0 (3.0")	M6 x 1P	0.40	2

Item Number	
MC - 2	MC-2 can be purchased separately and used with RC-1 or RC-2 for holding cylindrical optics

• I = To order Imperial model please add * I - * to Item number / BB = Ball Bearing / 100 = 100 pitch adjustment screw



RS RSD

Rotary Stages with Threaded Apertures

Optical Tables

Stages

Optical Mounts

Components

Motion Systems

Education Systems

Lasers

Optics & Crystals

Other Equipment




RSD-1 / RSD-2


Overview

- Optics : 1" (RSD-1) / 2" (RSD-2)
- Stage Diameter : Ø54.5 mm (RSD-1) / Ø79.0 mm (RSD-2)
- Coarse / Fine Adjustment : 360° rotation
- Aperture : M27x1P (RSD-1) / M52x1P (RSD-2)
- Weight : 0.15 kg (RSD-1) / 0.30 kg (RSD-2)
- Load : 2 kg
- Add adaptor RS-05A to adapt 0.5" optics
- Add adaptor RS-A for solid stage platform
- Metric / Imperial version available
- Material : Aluminum with black anodized
- To order Imperial model please add * I - * to Item number
- Platform surface is laser marked 360° scales with 1° resolution

Specification & Item Numbers

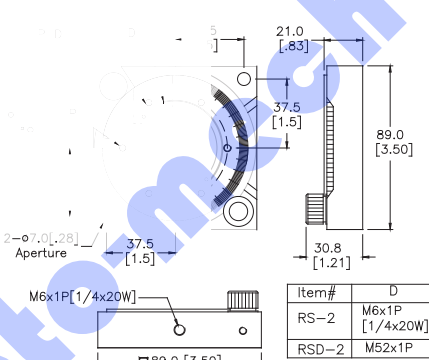


RSD-1



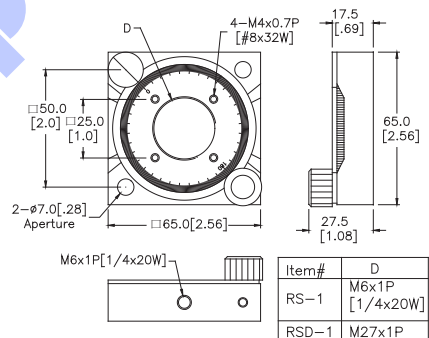
RSD-2

RSD-1

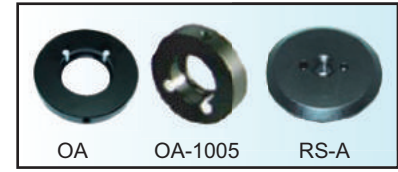


Item#	D
RS-2	M6x1P [1/4x20W]
RSD-2	M52x1P

RSD-2



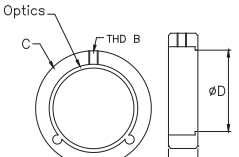
Item#	D
RS-1	M6x1P [1/4x20W]
RSD-1	M27x1P



Adaptors

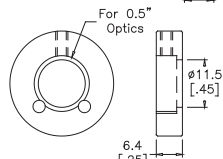
For A" Optics

OA

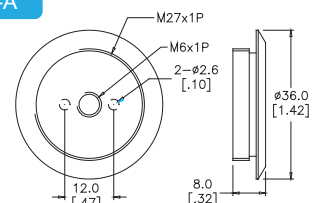


For 0.5" Optics

RS-1005



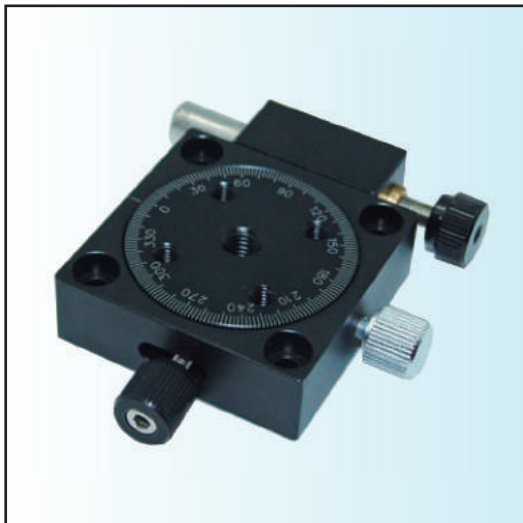
RS-A



Item Number	Travel Guide	Rotation Range	Drive Type	Platform Diameter (mm / inch)	Suitable Optics (mm / inch)	Weight (KG)	Load (kg)
RSD - 1	BB	360° cont	Gear	Ø 54.2 (2.15")	25 (1")	0.15	2
RSD - 2	BB	360° cont	Gear	Ø 79.0 (3.11")	50 (2")	0.30	2
Item Number				Item Number			
OA - 1005	Inserted into RSD-1 for holding 0.5" optics			RS - A	Added to RSD-1 for solid platform		
OA - 2010	Inserted into RSD-2 for holding 1" optics						

• I = To order Imperial model please add * I - * to Item number / BB = Ball Bearing / 100 = 100 pitch adjustment screw

Precision Rotary Stage & Mini Rotary Stage




Overview


- Stage Diameter : Ø38mm (1.5")
- Tilt Range : Fine ±5° / Coarse 360°
- Readable Resolution : 1°
- Weight : 0.1 kg (RSQ)
- Load : 0.5 kg / 1 kg
- Lead screw at side driven
- 360° coarse rotation when loosen the side screw
- Metric / Imperial version available
- Material: Aluminum
- To order Imperial model please add * I- * to Item number

Specification & Item Numbers

RSQ-38A compact, precision-engineered θ axis (rotation) stages with a fitting fit slide. Loosening the coarse / fine switching clamp enables coarse rotation in any direction. Tightening the clamp for fine control in ± 5° increments by the micrometer head or control knob from any stationary position.



RSQ-38A



MRS-05

Item Number	Platform Diameter (mm / inch)	Rotation Range (degree)	Travel Range (Fine)	Travel Accuracy (mm)	Readable Resolution (degree)	Parallelism (mm)	Weight (kg)
RSQ - 38A	Ø38 (1.5")	360° cont	± 5°	0.02	1°	0.21	0.1
MRS - 05	Ø28 (1.18")	360° cont	---	---	1°	---	0.04

• I = To order Imperial model please add * I- * to Item number / BB = Ball Bearing / 100 = 100 pitch



RSQ

Precision Rotary Stages

Optical Tables

Stages

Optical Mounts

Components

Motion Systems

Education Systems

Lasers

Optics & Crystals

Other Equipment



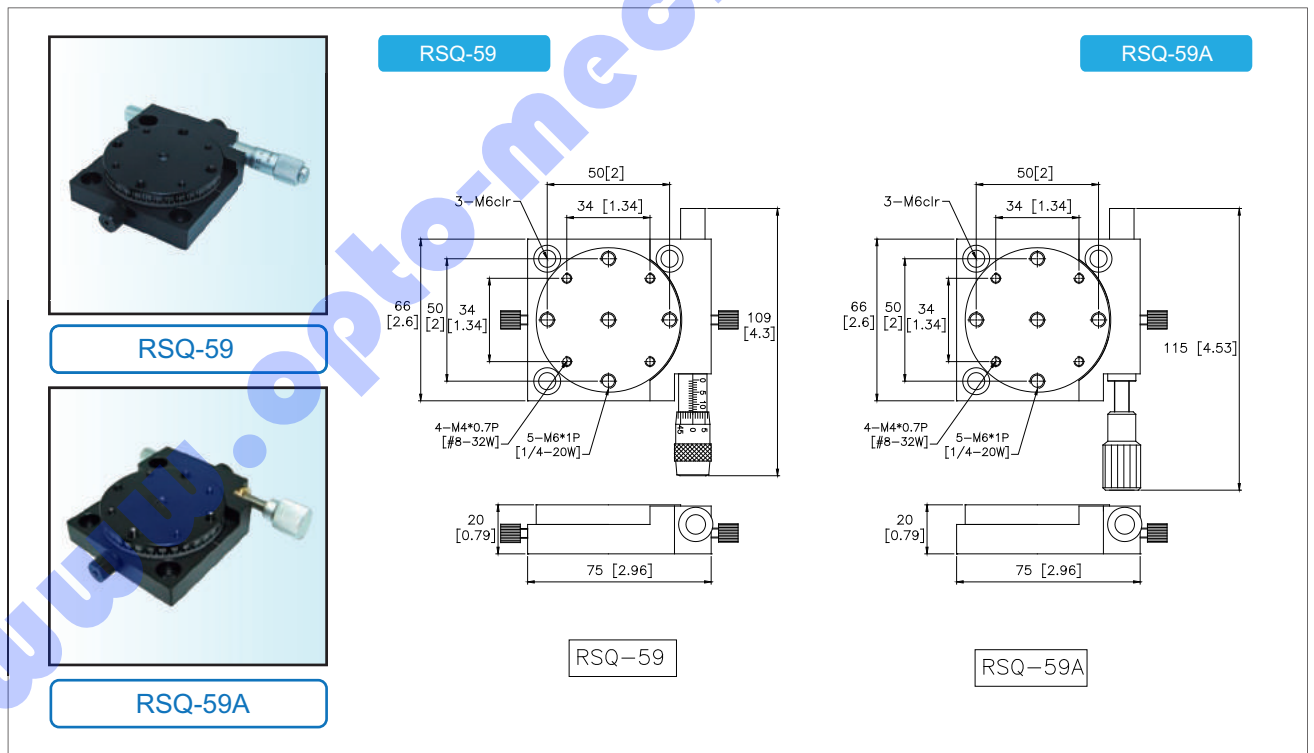
RSQ-59

Overview

- Stage Diameter : Ø59mm (2.32")
- Readable Resolution : 1°
- Travel Accuracy : 0.02 mm
- Coarse Adjustment : 360° coarse rotation when loosen the side screw
- Fine Adjustment : ±5° precision adjustment
- Accuracy : 1arc-sec
- Screw Type : 100 pitch leadscrew or micrometer available
- Metric / Imperial version available
- Material: Aluminum with black anodized
- To order Imperial model please add * I- * to Item number

Specification & Item Numbers

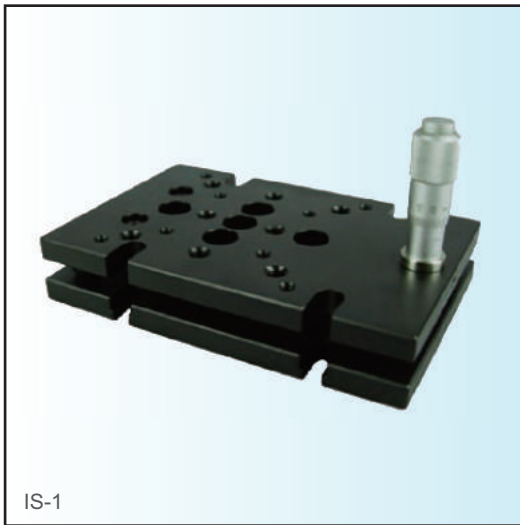
The RSQ-59 series is compact and precision-engineered θ axis (rotation) stages with a fitting fit slide. Loosening the coarse / fine switching clamp enables coarse rotation in any direction. Tightening the clamp for fine control in $\pm 5^\circ$ increments by the micrometer head or control knob from any stationary position.



Item Number	Diameter (mm / inch)	Rotation Range (Coarse / Fine)	Drive Type	Travel Accuracy (mm)	Readable Resolution (degree)	Parallelism (mm)	Weight (kg)
RSQ - 59	Ø59 (2.32")	360° cont / ±5°	M	0.02	1°	0.05	0.24
RSQ - 59A	Ø59 (2.32")	360° cont / ±5°	100	0.02	---	0.05	0.24

• I = To order Imperial model please add * I- * to Item number / M = Micrometer / 100 = 100 pitch adjustment screw

1-axis Tilt Stages



IS-1

Overview

- Stage Dimension : 80x120 mm
- Tilt Range : $\pm 5^\circ$
- Tilt Resolution : 2.0 arc-sec(IS-1A) / 3.5 arc-sec (IS-1)
- Weight : 0.39 kg (IS-1A) / 0.43 kg (IS-1)
- Loading : 10 kg
- Drive Type : 100 pitch screw or micrometer
- Disc-spring design
- Metric and Imperial tapped mounting holes for choices
- Material : Aluminum with black anodized
- To order Imperial model please add * I - * to Item
- Large platform with various spacing mounting tapped and clearance hole for your lab applications

Specification & Item Numbers

2

OPTIONS
for precision adjustment

1

Micrometer



Micrometer with reading scales for precision adjustment

2

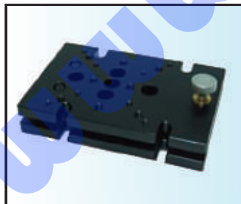
Adjustable Screw



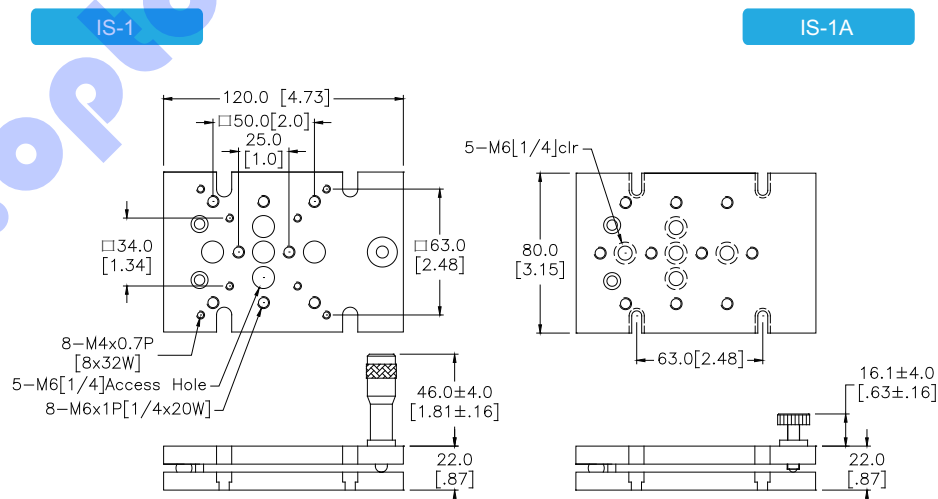
100 pitch or 130 pitch screws for precision adjustment



IS-1



IS-1A



- I = To order Imperial model please add * I - * to Item number / M = Micrometer / 100 = 100 pitch adjustment screw

Item Number	Drive Type	Platform Dimension (mm)	Tilt Range (degree)	Tilt Resolution (arc-sec)	Weight (kg)	Load (kg)
IS - 1	M	80 x 120	$\pm 5^\circ$	2.0	0.43	10
IS - 1A	100	80 x 120	$\pm 5^\circ$	2.0	0.39	10



TP

Multi-axis Tilt Stages

Optical Tables

Stages

Optical Mounts

Components

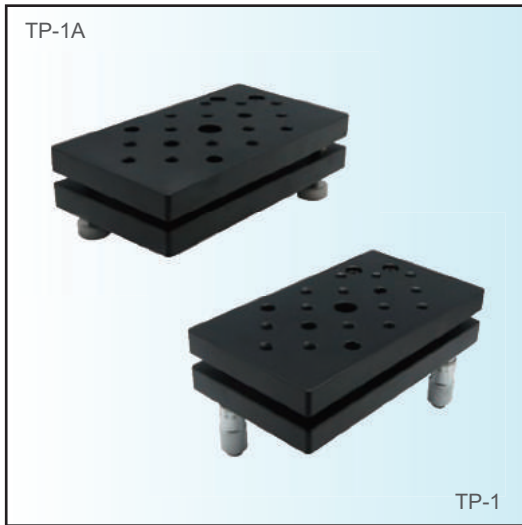
Motion Systems

Education Systems

Lasers

Optics & Crystals

Other Equipment



Overview

- Allows 2-axis tilting adjustment in different driven type
- Stage Dimension : 72 x 127 mm
- Tilt Range : $\pm 5^\circ$
- Tilt Resolution: 2.0 arc-sec (TP-1A) / 3.5 arc-sec (TP-1)
- Weight: 0.57 kg (TP-1A) / 0.59 kg (TP-1)
- Loading: 10 kg
- Drive Type: 100 pitch screw (TP-1A) / Micrometer (TP-1)
- Disc-spring design
- Metric / Imperial tapped mounting holes for selection
- Material : Aluminum with black anodized
- To order Imperial model please add * I - * to item number

Specification & Item Numbers

2

OPTIONS

for precision adjustment

1

Micrometer



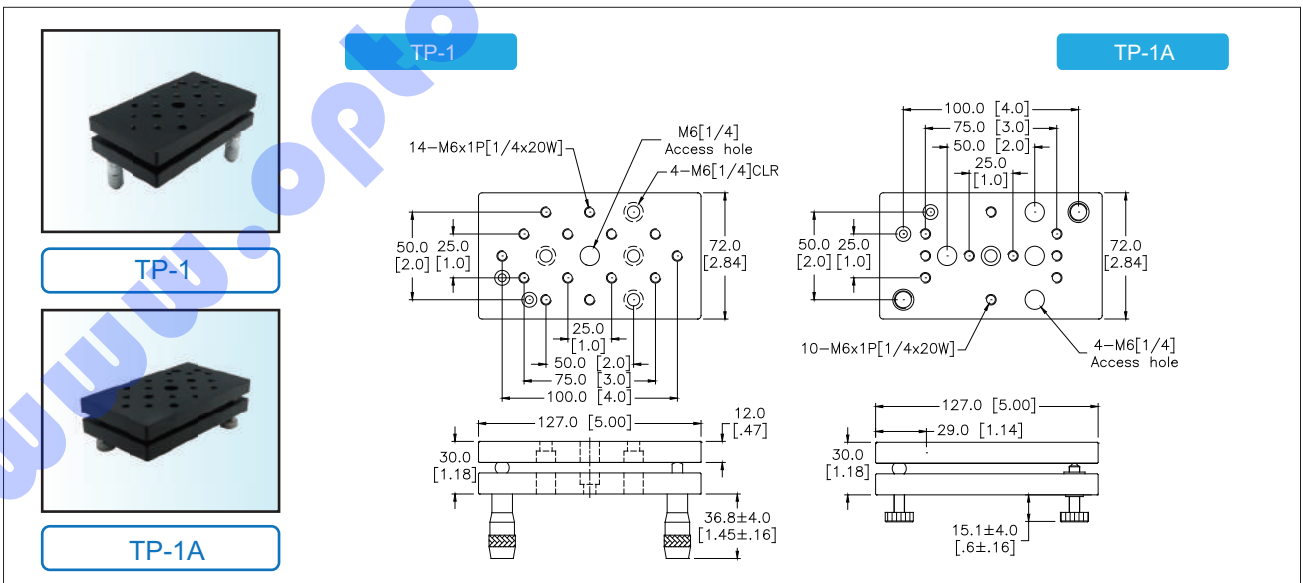
Micrometer with reading scales for precision adjustment

2

Adjustable Screw



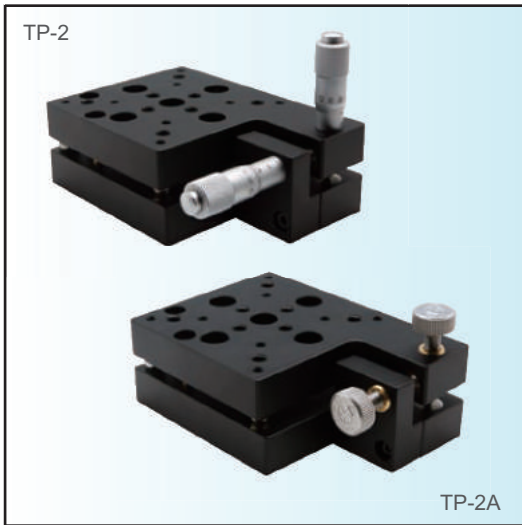
100 pitch or 130 pitch screws for precision adjustment



• I = To order Imperial model please add * I - * to Item number / M = Micrometer / 100 = 100 pitch adjustment screw

Item Number	Drive Type	Platform Dimension (mm)	Tilt Range (degree)	Tilt Resolution (arc-sec)	Weight (kg)	Load (kg)
TP - 1	M	72 x 127 (2.83x5")	$\pm 4^\circ$	3.5	0.57	10
TP - 1A	100	72 x 127 (2.83x5")	$\pm 4^\circ$	2.0	0.59	10

Multi-axis Tilt Stages



Overview

- Stage Dimension : 76 x 110 mm
- Tilt Range : $\pm 5^\circ$
- Tilt Resolution : 2.0 arc-sec(TP-2A) / 3.5 arc-sec (TP-2)
- Rotation Adjustment Range : $\pm 2.5^\circ$
- Weight : 0.60 kg (TP-2A) / 0.62 kg (TP-2)
- Loading : 10 kg
- Drive Type : 100 pitch screw (TP-2A) / Micrometer (TP-2)
- Disc-spring design
- Metric and Imperial tapped mounting holes for choices
- Material : Aluminum with black anodized
- To order Imperial model please add * I-* to Item number

Specification & Item Numbers

2 OPTIONS for precision adjustment

1 Micrometer

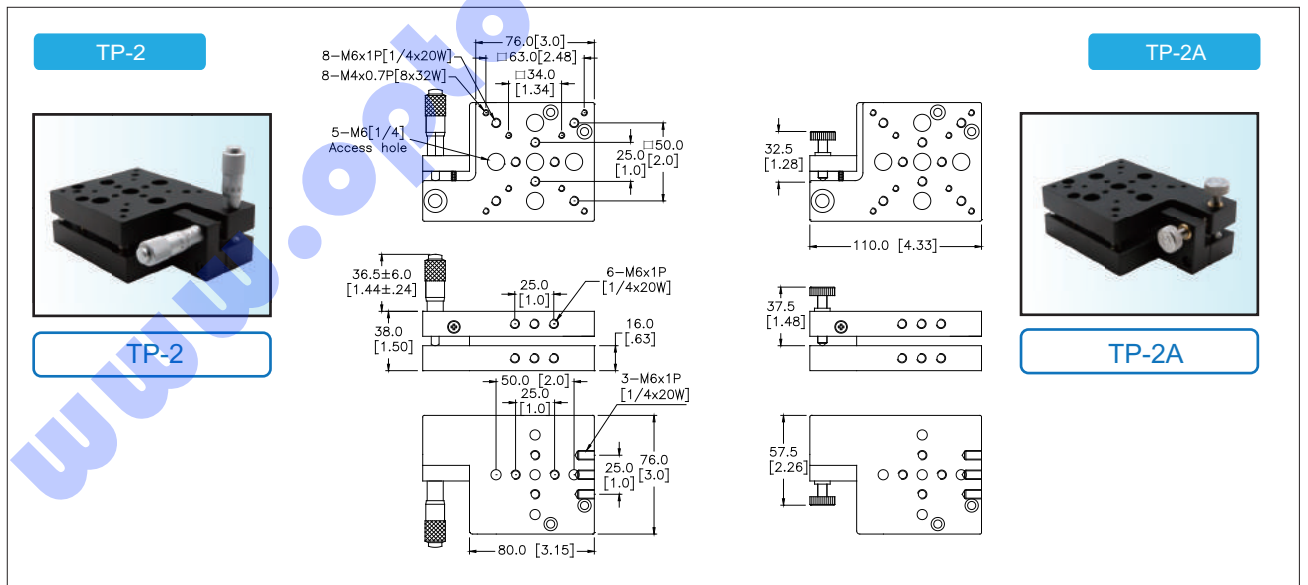


Micrometer with reading scales for precision adjustment

2 Adjustable Screw



100 pitch or 130 pitch screws for precision adjustment



• I = To order Imperial model please add * I-* to Item number / M = Micrometer / 100 = 100 pitch adjustment screw

Item Number	Drive Type	Platform Dimension (mm)	Tilt Range (degree)	Tilt Resolution (arc-sec)	Weight (kg)	Load (kg)
TP - 2	M	76 x 110	$\pm 4^\circ$	3.5	0.62	10
TP - 2A	100	76 x 110	$\pm 4^\circ$	2.0	0.60	10



TPM

Multi-axis Tilt Stages

Optical Tables

Stages

Optical Mounts

Components

Motion Systems

Education Systems

Lasers

Optics & Crystals

Other Equipment



Overview

- Stage Dimension : 65 x 90 mm
- Tilt Range : $\pm 4^\circ$
- Tilt Resolution : 2.0 arc-sec(TPM-1A) / 3.5 arc-sec (TPM-1)
- Weight : 0.3 kg (TPM-1A) / 0.32 kg (TPM-1)
- Loading : 10 kg
- Drive Type : 100 pitch screw (TPM-1A) / Micrometer (TPM-1)
- Disc-spring design
- Metric or Imperial tapped mounting holes for selection
- Material: Aluminum with black anodized
- To order Imperial model please add * I- * to Item number

Specification & Item Numbers

2
OPTIONS
for precision adjustment

1

Micrometer



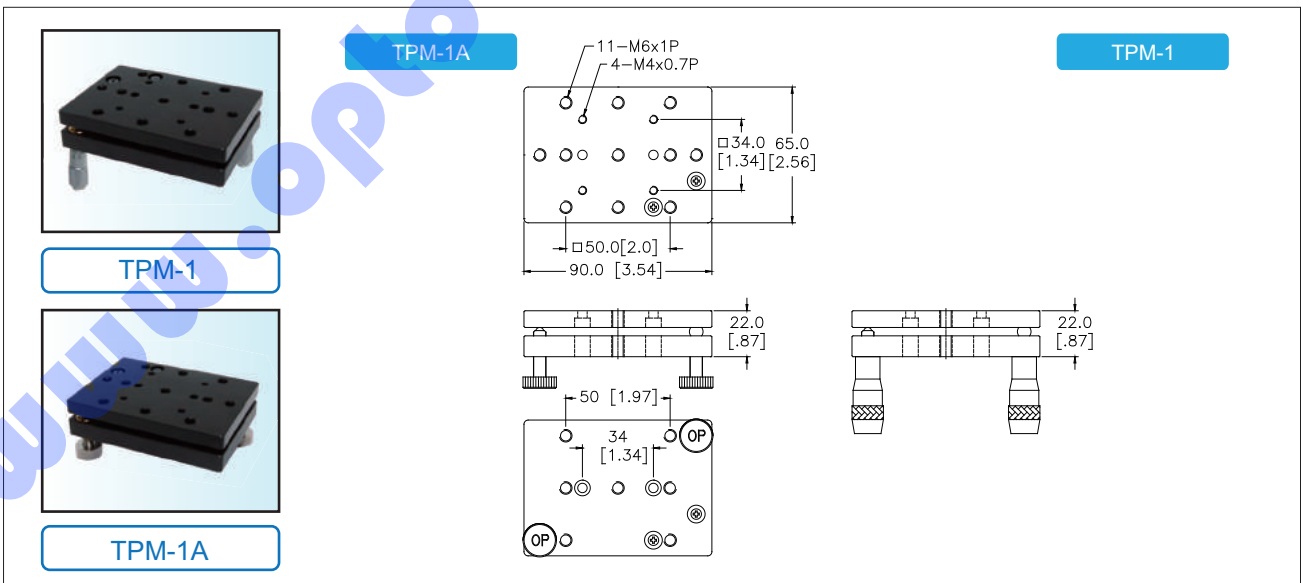
Micrometer with reading scales for precision adjustment

2

Adjustable Screw



100 pitch or 130 pitch screws for precision adjustment



• I = To order Imperial model please add * I- * to Item number

Item Number	Drive Type	Platform Dimension (mm)	Tilt Range (degree)	Tilt Resolution (arc-sec)	Weight (kg)	Load (kg)
TPM - 1	M	65 x 90	$\pm 4^\circ$	3.5	0.32	10
TPM - 1A	100	65 x 90	$\pm 4^\circ$	2.0	0.3	10



Tilt / Rotation Prism Stages



TRS-series with MC-series

Overview

- Tilting Range : $\pm 5^\circ$ (two rotary axis)
- Rotation Range : $\pm 3^\circ$ (one rotary axis)
- Rotation Resolution : 8 arc-sec
- Tilt Resolution : 15 arc-sec
- Weight : 0.32 kg (TRS-1) / 0.84 kg (TRS-2)
- Loading : 2 kg (TRS-1) / 5 kg (TRS-2)
- Drive Type : 100 pitch adjustment screw
- Metric or imperial tapped mounting holes for choices
- Material : Aluminum with black anodized
- To order Imperial model please add * I - * to Item number
- Complete system includes clamp for fixing application such as prisms or beamsplitters

Specification & Item Numbers

TRS-1

TRS-2

MC-1 / 2

TRS-1

TRS-2

• I = To order Imperial model please add * I - * to Item number / 100 = 100 pitch adjustment screw

Item Number	Drive Type	Platform Dimension (mm)	Tilting Range (degree)	Rotation Range (degree)	Rotation Resolution (arc-sec)	Weight / Load (kg)
TRS - 1	100	Ø 46	$\pm 5^\circ$	$\pm 3^\circ$	8	0.32 / 2
TRS - 2	100	Ø 80	$\pm 5^\circ$	$\pm 3^\circ$	8	0.84 / 5
MC - 1	Complete system includes clamp for fixing application such as prisms or beamsplitters					
MC - 2	Complete system includes clamp for fixing application such as prisms or beamsplitters					



AGV AS

Goniometers

Optical Tables

Stages

Optical Mounts

Components

Motion Systems

Education Systems

Lasers

Optics & Crystals

Other Equipment



Overview

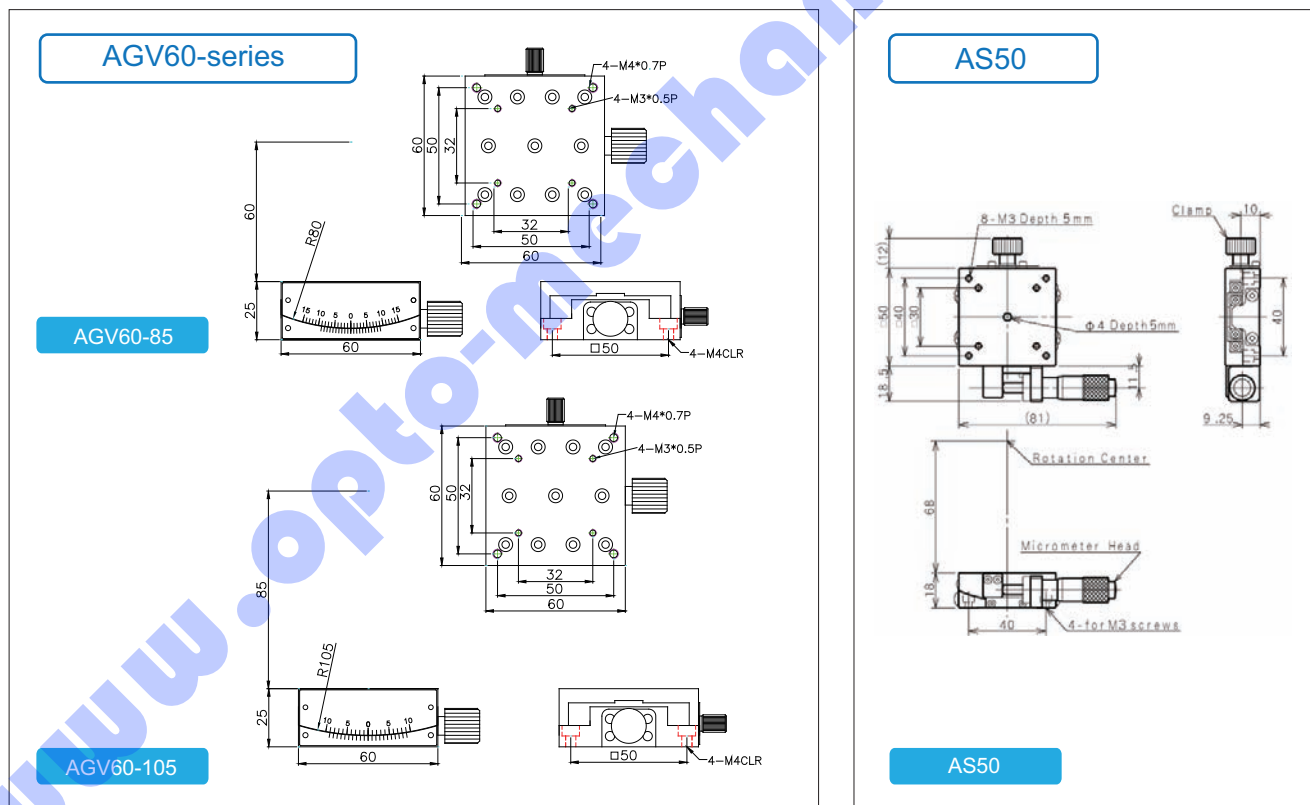
AGV-series Goniometer

- Stage Dimension : 60 x 60 mm
- Compact design
- Central Drive with lock knob
- Stage Material : Aluminum with black anodized
- To order imperial model please add *I* to item number

AS-series Goniometer

- Stage Dimension : 50 x 50 mm
- Compact design
- Side Drive with lock knob
- Stage Material : Aluminum with black anodized
- To order imperial model please add *I-* to item number

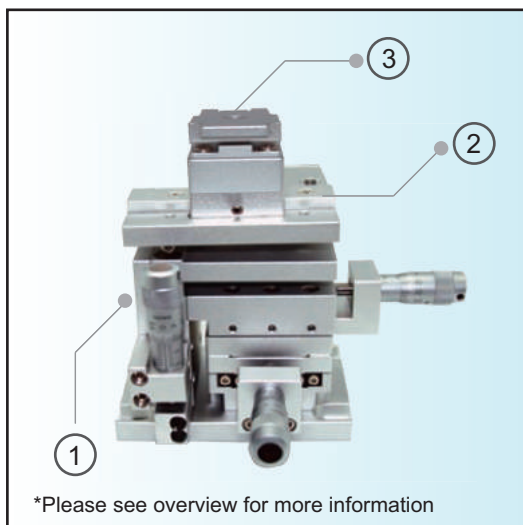
Parts Description & Specification



Item Number	Rail Type	Stage Dimension (mm)	Tilt Range (degree)	Rotation Center Height (mm)	Rotation Center Deviation (mm)	Minimum Reading Scale (mm)	Weight / Load (kg)
AGV60-85	DV	60 x 60	± 15 °	85	Ø 0.1 mm	1°	0.3 / 2
AGV60-105	DV	60 x 60	± 10 °	105	Ø 0.1 mm	1°	0.3 / 2
AGV60-XY-105	DV	60 x 60	(X) ± 10 ° / (Y) ± 15 °	105	Ø 0.1 mm	1°	0.6 / 2
AS50	VC	50 x 50	---	---	Ø 0.1 mm	1°	--- / ---

- **DV** =Dovetail Design / **VC** = Carbon Steel V-Grooved Crossed Roller Bearing
- **I** = To order Imperial model please add *I-* to Item number

FP-XYZT Tip / Tilt Fiber Stages



Overview

The FP-XYZT tip / tilt fiber stage is a 3 parts assembly system for holding fiber with multi-configuration of XYZ and tilt adjustments. Customer may also order the system without the fiber holder (FP-XYZT θ).

Complete System includes :

- 1 FX-XYZ-05 XYZ Positioner
- 2 FPT Tip / Tilt Platform
- 3 Bare Fiber Holder

- Left or Right versions available
- Aluminum material with silver surface treatment
- Metric version only

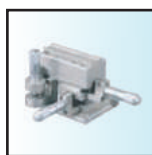
Parts Description & Specification



(Complete System)

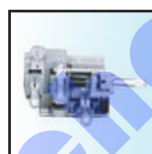
FP-XYZT- R / L Tip / Tilt Fiber Stage (5D)

FP-XYZT tip / tilt fiber stage is a 3 parts assembly system for holding fiber with multi-configuration of XYZ and tilt adjustments. These stages have greater thermal immunity due to their higher mass and larger diameter bearings increase the stiffness if the solution both right and left version are available for ergonomic actuator placement.



1 FP-XYZ-05 XYZ Positioner (3D)

The FP-XYZ-05 positioner features stainless construction for superior long-term stability, with thermally matched, hardened steel crossed roller bearings for unsurpassed performance.



(Complete System with Goniometer)

FP-XYZT θ - R / L Tip / Tilt Fiber Stage (6D)

Each FP-XYZT θ R/L stage axis is equipped with a non-influencing locking mechanism, to maintain sub-micron positioning, when locking or unlocking. These stages have greater thermal immunity due to their higher mass and larger diameter bearings increase the stiffness if the solution Both right and left version are available for ergonomic actuator placement.



2 FPT Tip / Tilt Fiber Platform

FPT Tip/Tilt Platforms provide two-axis (θ_y θ_z) angular alignment of the fiber with minimal translation. The series utilizes 100 tpi adjustment screws and come in both right and left-hand configuration.



3 FC-2S Bare Fiber Holder

Fiber holder made of aluminum material with improved design for holding 125 μ m diameter bare fibers.



FPT- θ Goniometer

For more information of FPT- θ Goniometer, please see page [B. 81](#)



Optical Tables

Stages

Optical Mounts

Components

Motion Systems

Education Systems

Lasers

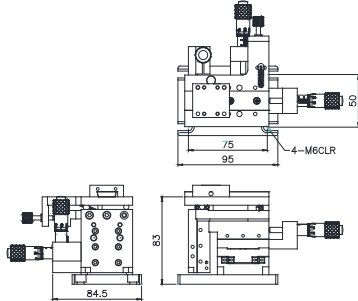
Optics & Crystals

Other Equipment

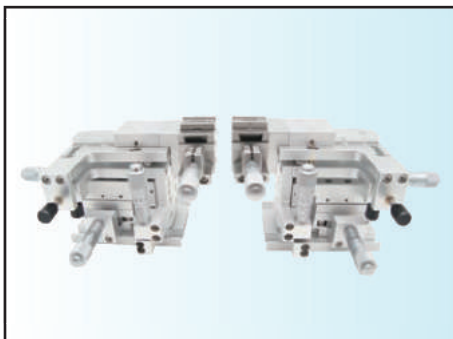
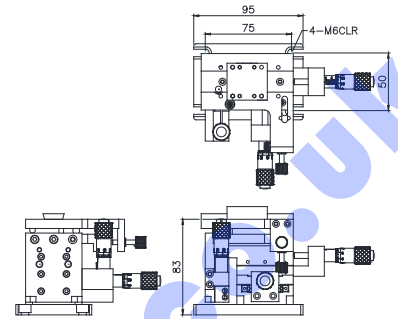


FP-XYZT- R / L

FP-XYZT- R

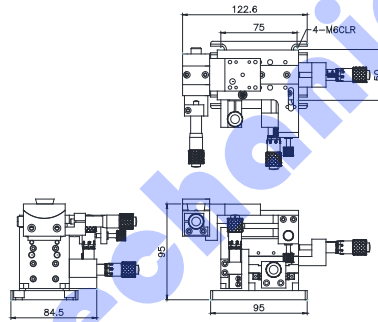


FP-XYZT- L

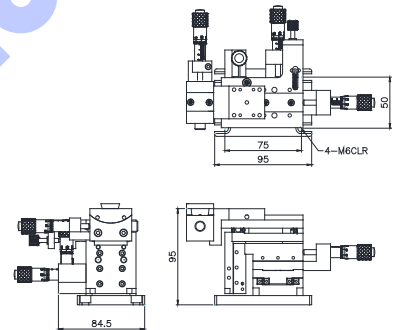


FP-XYZT0- R / L

FP-XYZT0- R

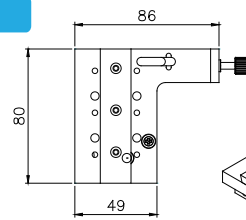


FP-XYZT0- L

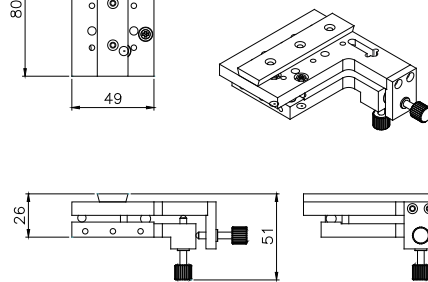


FPT- R / L

FPT- R

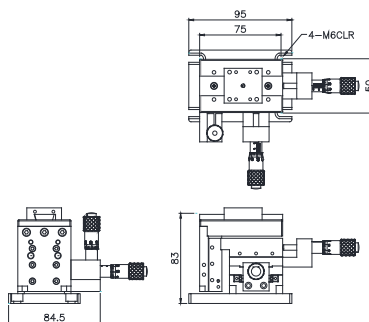


FPT- L

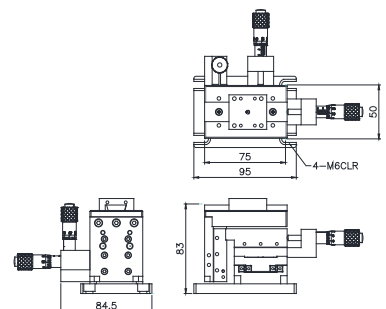


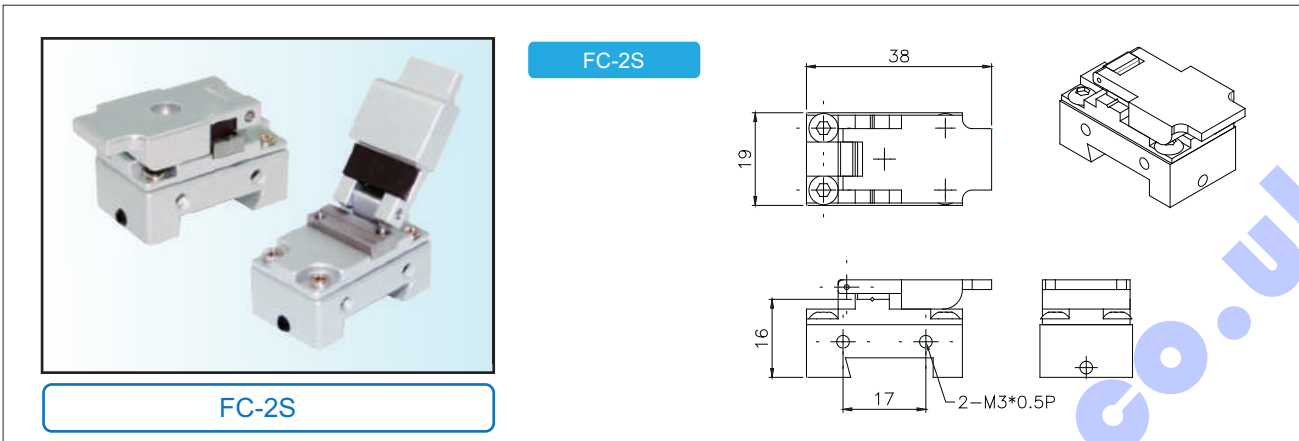
FP-XYZ-05 R / L

FP-XYZ-05 R



FP-XYZ-05 L





Optical Tables

Stages

Optical Mounts

Components

Motion Systems

Education Systems

Lasers

Optics & Crystals

Other Equipment

Item Numbers

- **M** = Micrometer / **100** = 100 pitch adjustment screw

FP-XYZT

Item Number	Drive Type	θ_y / θ_z (degree)	TX (mm)	TY (mm)	TZ (mm)	Accuracy (degree)	Weight / Load (kg)
FP-XYZT-R	M	$\pm 5^\circ / \pm 5^\circ$	12	12	6	---	---
FP-XYZT-L	M	$\pm 5^\circ / \pm 5^\circ$	12	12	6	---	---

FP-XYZT0

Item Number	Drive Type	θ_y / θ_z (degree)	TX (mm)	TY (mm)	TZ (mm)	Accuracy (degree)	Weight / Load (kg)
FP-XYZT0-R	M	$\pm 7^\circ / \pm 5^\circ$	12	12	6	---	---
FP-XYZT0-L	M	$\pm 7^\circ / \pm 5^\circ$	12	12	6	---	---

FPT

Item Number	Drive Type	θ_y / θ_z (degree)	TX (mm)	TY (mm)	TZ (mm)	Accuracy (degree)	Weight / Load (kg)
FPT-R	100	$\pm 5^\circ / \pm 5^\circ$	---	---	---	5°	---
FPT-L	100	$\pm 5^\circ / \pm 5^\circ$	---	---	---	5°	---

FP-XYZ-05

Item Number	Drive Type	θ_y / θ_z (degree)	TX (mm)	TY (mm)	TZ (mm)	Accuracy (degree)	Weight / Load (kg)
FP-XYZ-05-R	M	---	12	12	6	---	---
FP-XYZ-05-L	M	---	12	12	6	---	---

FC-2S

Item Number	Holding Fiber Size (um)	Weight (kg)	Placement
FC-2S	125	30	To be placed on top of FP-XYZT Tip / Tilt Fiber Stage



FP

YZ Positioner & Goniometer

Optical Tables

Stages

Optical Mounts

Components

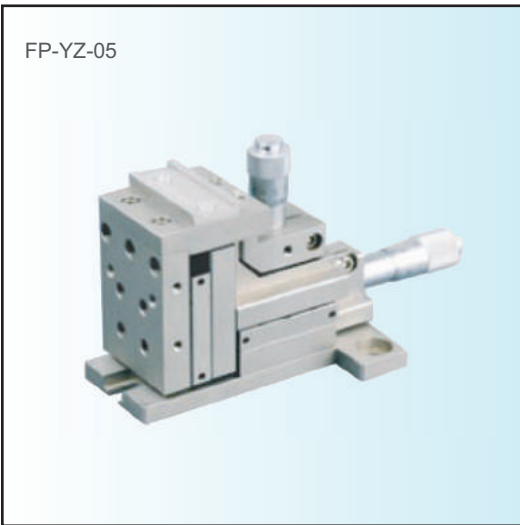
Motion Systems

Education Systems

Lasers

Optics & Crystals

Other Equipment

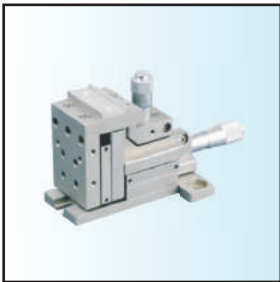


FP-YZ-05

Overview

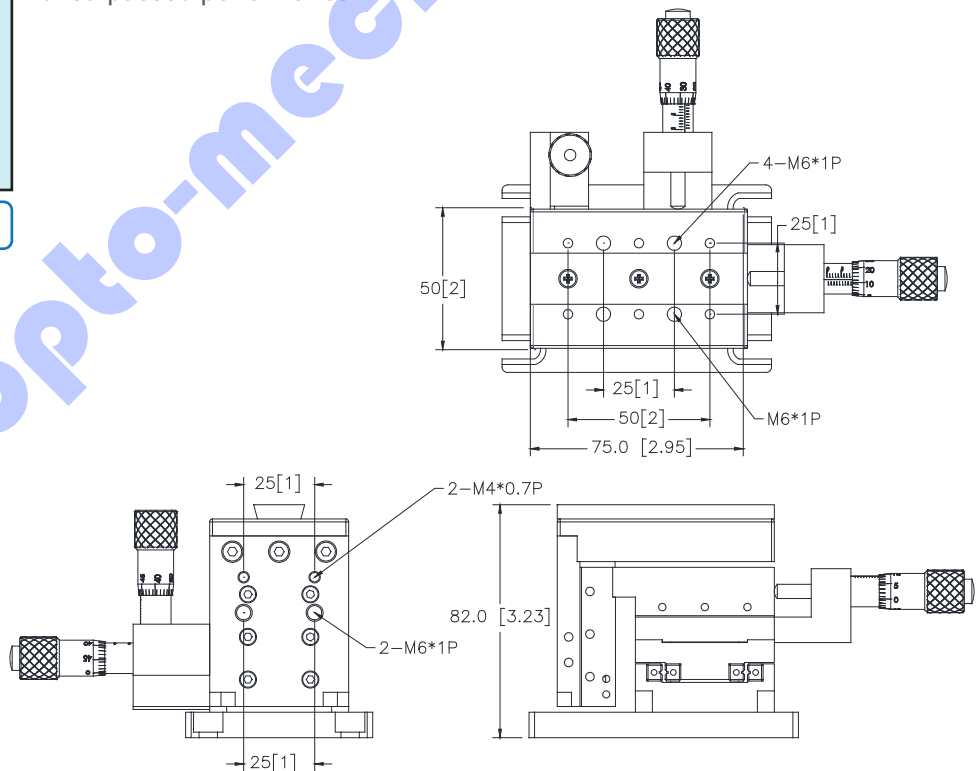
- Ty: 12 mm
- Tz: 6 mm
- Load: 2.3 kg
- Moving Parallelism: $< \mu$ 100 rad
- Center Height: 79 mm
- Material: Aluminum with silver anodized

Specification & Item Numbers



FP-YZ-05

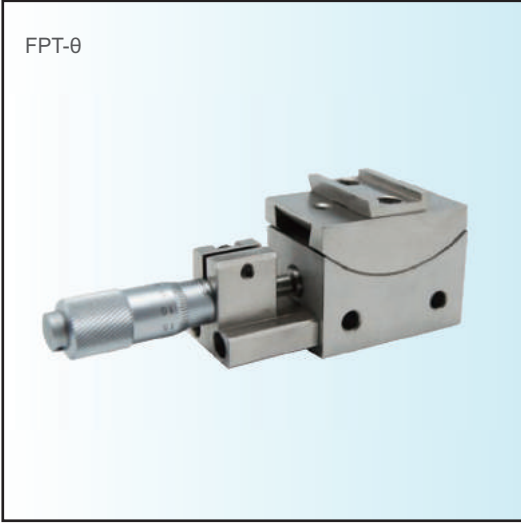
The FPYZ-05 positioner features stainless construction for superior long-term stability, with thermally matched, hardened steel crossed roller bearings for unsurpassed performance.



Item Numbers

Item Number	Drive Type	θ_y / θ_z (degree)	TX (mm)	TY (mm)	TZ (mm)	Accuracy (degree)	Weight / Load (kg)
FP-YZ-05	M	---	12	12	6	---	---

YZ Positioner & Goniometer



Overview

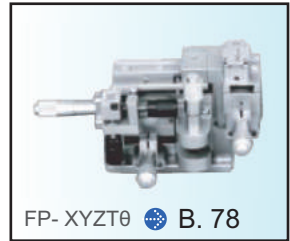
- $\theta_y : \pm 7^\circ$ • Accuracy: 6"
- Material: Aluminum with silver anodized
- Can be assembled with model FP-XYZT [B. 28](#)

Specification & Item Numbers

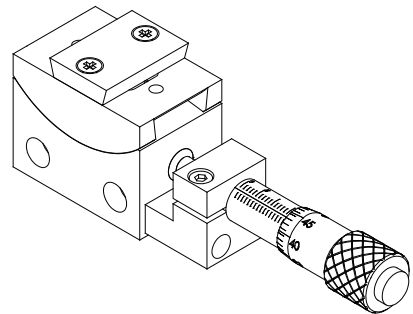
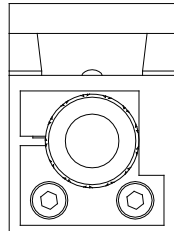
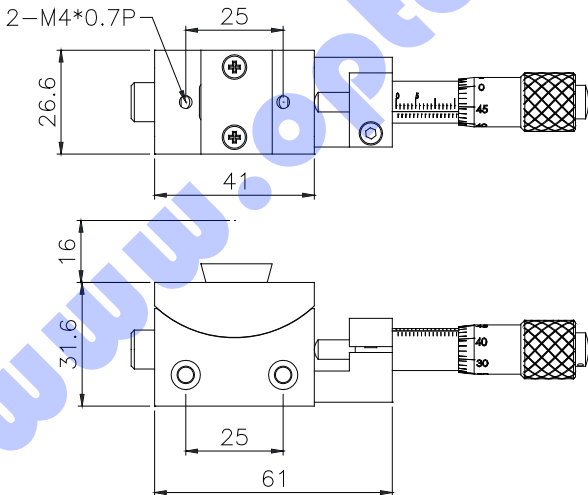


FPT-0

FPT-0 Goniometer provides rotation (θ_x) about the axis of the fiber. This is useful for aligning polarization maintaining fiber arrays. The goniometer must be attached to a Goniometer Bracket to mount it on a XYZ linear stage. Can be assembled with model FP-XYZT as **FP- XYZT0 Tip/Tilt Fiber Stage System.**



FP- XYZT0 [B. 78](#)



Item Numbers

Item Number	Drive Type	θ_y / θ_z (degree)	TX (mm)	TY (mm)	TZ (mm)	Accuracy (degree)	Weight / Load (kg)
FPT-0	M	---	12	12	6	---	---



FP

AP
FP

Fiber Components

Optical Tables

Stages

Optical Mounts

Components

Motion Systems

Education Systems

Lasers

Optics & Crystals

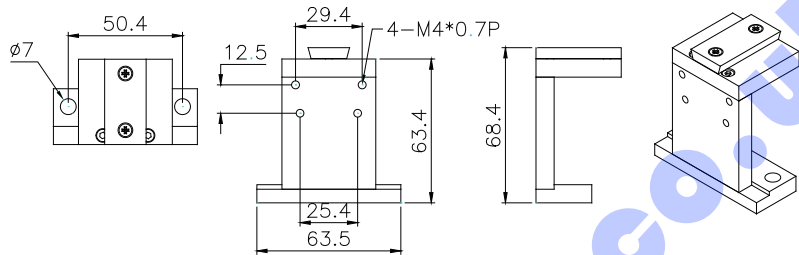
Other Equipment



FP-US

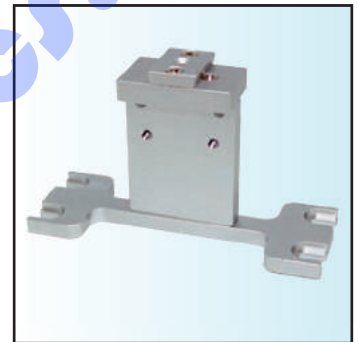
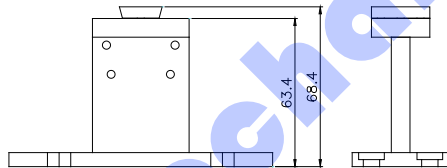
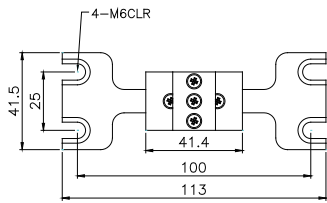
Universal Stand

Fixed platform for mounting components with positioning stage

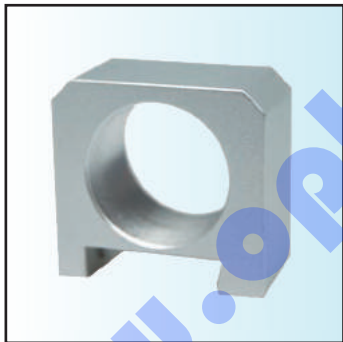


T - Stand

Fixed platform for mounting components between 2 positioning stages



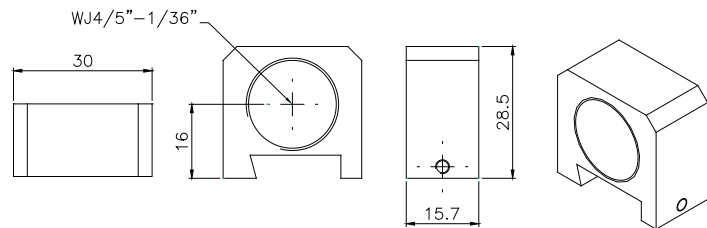
FP-TS



FP-OM

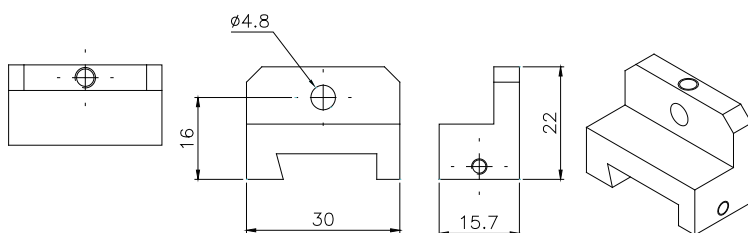
Objective Lens Mount

Mount used for microscope or laser diode objective lenses with Standard 0.800-36 RMS thread.

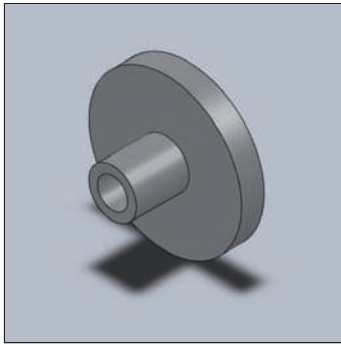


Blank Mounts

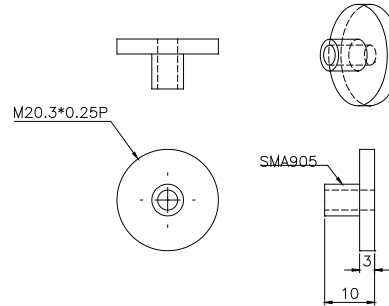
Machined to create custom component holders to mount on rail



FP-GH



Adaptor



FP-SMA

Optical Tables

Stages

Optical Mounts

Components

Motion Systems

Education Systems

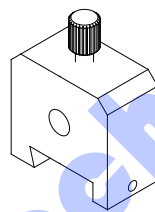
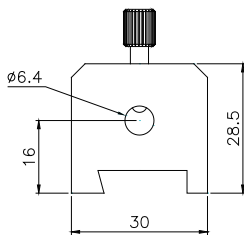
Lasers

Optics & Crystals

Other Equipment

Fiber Chuck

Designed to hold 0.25 inch (6.35 mm) diameter fiber chucks

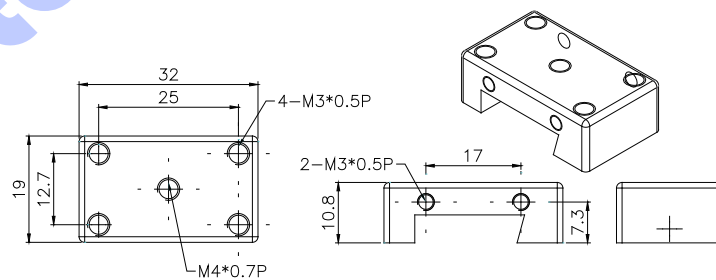


FP-FC



Universal Module

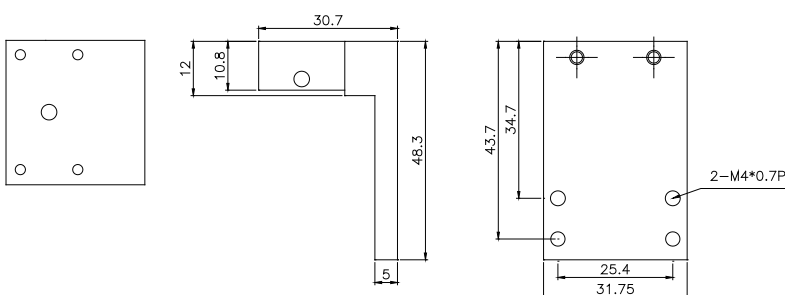
Used to mount custom component holders on the rail



FP-UM

Goniometer Bracket

Goniometer bracket with dovetail design



APFP-GB



TSS

2" Travel Range Linear Stages

Optical Tables

Stages

Optical Mounts

Components

Motion Systems

Education Systems

Lasers

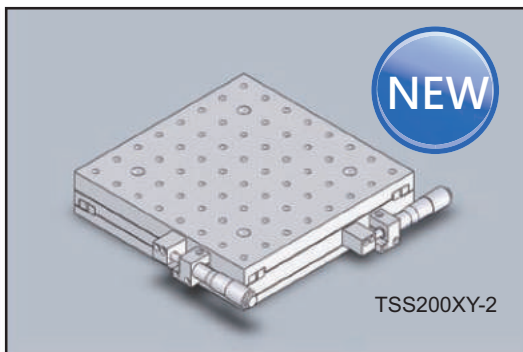
Optics & Crystals

Other Equipment



Overview

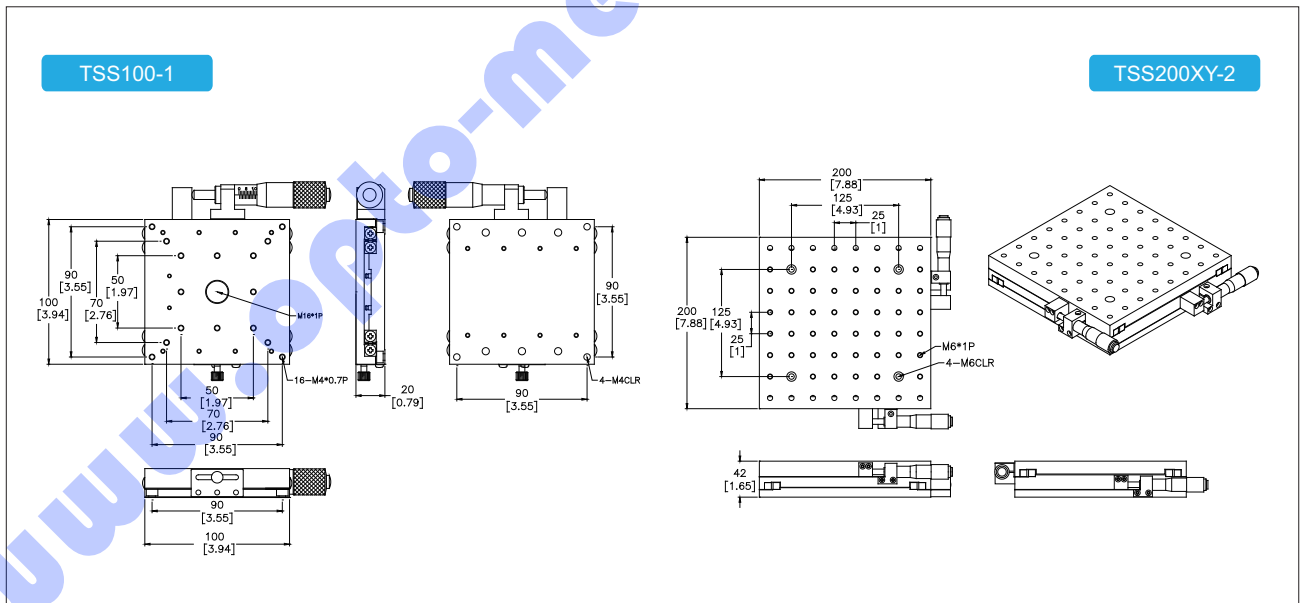
- Stage Dimension : 100 x 100 mm
- Travel Range : 1" (± 12.7 mm)
- Imperial or Metric tapped mounting holes
- Ø 36 mm Aperture in Center
- Additional Locking Plate for great stability
- Metric Version
- Allows assembly of 2 or 3-axis stages



Overview

- Stage Dimension : 120 x 120 mm
- Stage material : Aluminium
- Rail : Linear Aluminum crossed roller bearing
- V-Grooved crossed roller bearing
- Moving Parallelism : ± 0.01 / 0.006 mm
- Repeatability : 0.016 / 0.08 mm
- XY Micrometers driven at side
- To order Imperial model please add * I- * to Item

Specification



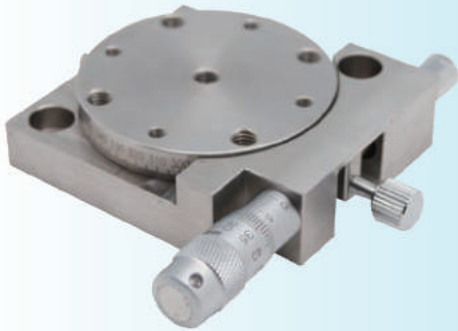
Item Numbers

• **M** = Micrometer / **SC** = Stainless Steel V-Grooved Crossed Roller Bearing

Item Number	Drive Type (mm)	Travel Guide	Repeatability (mm)	Moving Parallelism (mm)	Read Resolution (mm)	Travel Range (mm)	Weight / Load (kg)
TSS100-1	M	SC	0.003	± 0.005	0.01	± 12.7	1 / 30
TSS200XY-2	M	SC	0.005	± 0.01	0.01	± 25.4	6 / 50

Stainless Precision Rotary Stages

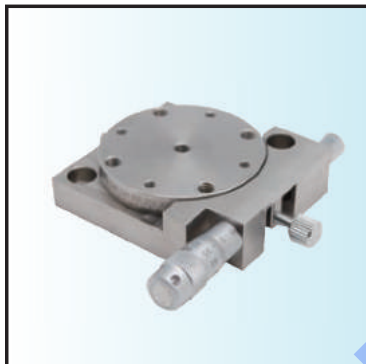
SRQ-59



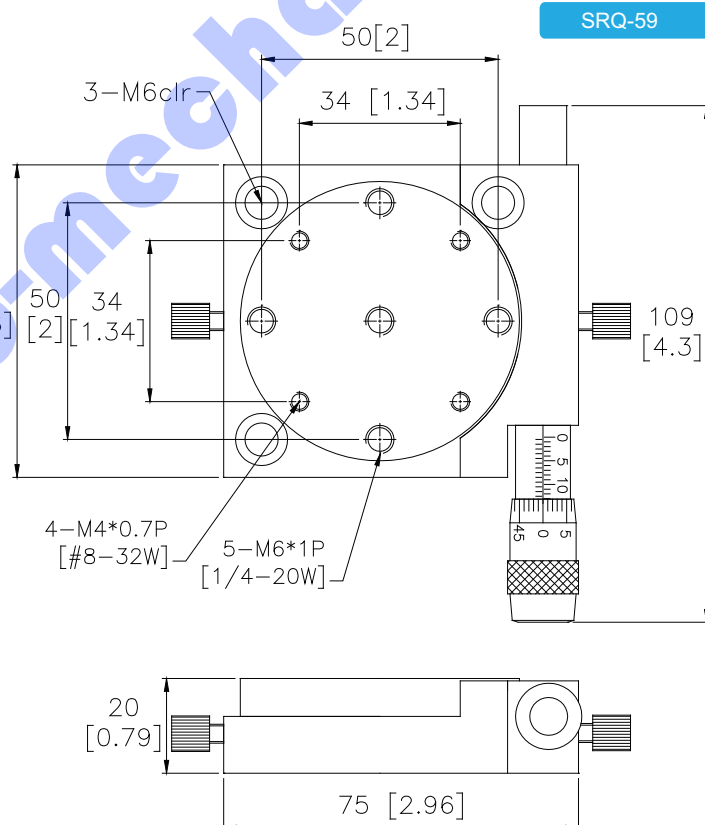
Overview

- Stage Diameter : Ø59mm (2.32")
- Readable Resolution : 1°
- Travel Accuracy : 0.02 mm
- Coarse Adjustment : 360° coarse rotation when loosen the side screw
- Fine Adjustment : ±5° precision adjustment
- Accuracy : 1arc-sec
- Screw Type : 100 pitch leadscrew or micrometer available
- The stainless material can apply to vacuum and high temperature experimental environment
- Metric / Imperial version available
- Material: Aluminum with black anodized
- To order Imperial model please add *I-* to Item number

Specification & Item Numbers



SRQ-59



SRQ-59

Item Number	Diameter (mm / inch)	Rotation Range (Coarse / Fine)	Drive Type	Travel Accuracy (mm)	Readable Resolution (degree)	Parallelism (mm)	Weight (kg)
SRQ-59	Ø59 (2.32")	360° cont / ±5°	M	0.02	1°	0.05	0.24
SRQ -59A	Ø59 (2.32")	360° cont / ±5°	100	0.02	---	0.05	0.24