



### MAKE IT SAFE

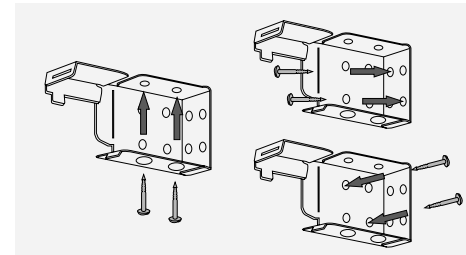


Young children can be strangled by loops in pull cords, chains tapes and inner cords that operate the product. To avoid strangulation and entanglement, keep cords out of the reach of young children. Cords may become wrapped around a child's neck. Move beds, cots and furniture away from window covering cords. Do not tie cords together. Make sure cords do not twist and create a loop.

## PRIVACY & HOLLYWOOD BLINDS

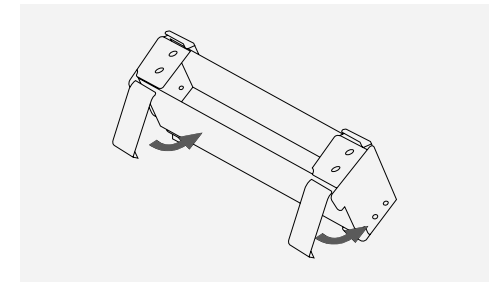
### STEP 1: FITTING THE BRACKETS

The box brackets provided can be fixed to any flat surface above (top fix), behind (face fix) or to the side (side fix) of the blind. Wider blinds are supplied with support brackets that can be top or faced fixed. These should be positioned to the centre of the window area, in line with the box brackets. Make sure that the position of the support brackets is at least 50mm from the ladder cord mechanisms in the headrail.



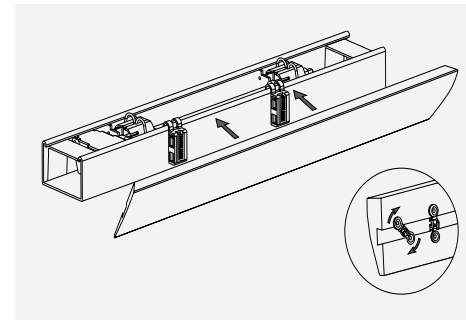
### STEP 2: FITTING THE BLINDS

Once the brackets have been installed, open the hinged door of the box brackets and slot the headrail in to them and the support brackets if necessary. Close the hinged door of the brackets to secure the blind in position, there will be an audible click when the door has been closed fully.



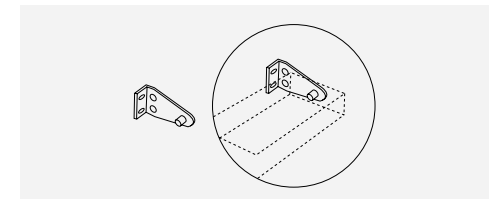
### STEP 3: ATTACHING THE VALANCE

Attach the adjustable valance clip plugs into the channel on the back of the valance and then hook the valance receptors to the headrail (if installing the blind within a recess, this should be done before Step 2). The clip plugs and receptors should be in corresponding positions on the valance and headrail. Align the two clips with each other and apply gentle pressure to the front of the valance, directly over the clips to click them together.

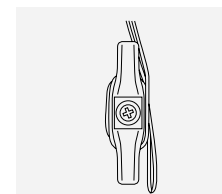


### STEP 4: ADDITIONAL ITEMS

**Hold down clips** - These allow the bottom bar to be pinned in place if you mount the blind onto a door. They are not required for window installations.



### STEP 3: MAKE IT SAFE



This blind contains two child safety devices; a cord consolidator and an accumulation device. The accumulation device must be securely fixed to the wall or recess adjacent to the blind and out of reach of children. The cord must be secured as shown after each operation of the blind.

- Headrails shall not be installed less than 1.5m from the floor
- The accumulation system shall be installed as close to the headrail as possible and in all cases not less than 1.5m from the floor.