

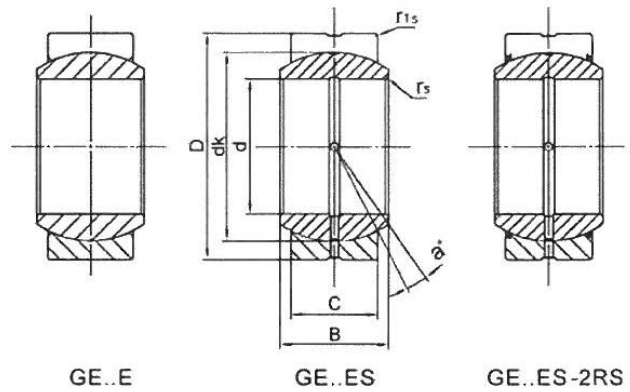
**GE..E
GE..ES
GE..ES-2RS**

Inner Race: Gcr15 Steel,hardened HRC 58-64,
surface phosphated.

Outer Race: Gcr15 Steel,hardened HRC 54-60,
surface phosphated.

Bore size $d \geq 140\text{mm}$: Inner and outer race are all Gcr15 SiMn.

Sliding contact surfaces: Steel/Steel



Bearing No.	Dimensions(mm)							Load ratings KN		a°	weight ≈ kg	
	d	D	B	C	dk	rs	r1s	Dynamic	Static			
GE4E		4	12	5	3	8	0.3	0.3	2	10	16	0.003
GE5E		5	14	6	4	10	0.3	0.3	3.4	17	13	0.005
GE6E		6	14	6	4	10	0.3	0.3	3.4	17	13	0.004
GE8E		8	16	8	5	13	0.3	0.3	5.5	27	15	0.008
GE10E		10	19	9	6	16	0.3	0.3	8.1	40	12	0.011
GE12E		12	22	10	7	18	0.3	0.3	10	53	10	0.015
GE15ES	GE15ES-2RS	15	26	12	9	22	0.3	0.3	16	84	8	0.027
GE17ES	GE17ES-2RS	17	30	14	10	25	0.3	0.3	21	106	10	0.041
GE20ES	GE20ES-2RS	20	35	16	12	29	0.3	0.3	30	146	9	0.066
GE25ES	GE25ES-2RS	25	42	20	16	35.5	0.6	0.6	48	240	7	0.119
GE30ES	GE30ES-2RS	30	47	22	18	40.7	0.6	0.6	62	310	6	0.153
GE35ES	GE35ES-2RS	35	55	25	20	47	0.6	1	79	399	6	0.233
GE40ES	GE40ES-2RS	40	62	28	22	53	0.6	1	99	495	7	0.306
GE45ES	GE45ES-2RS	45	68	32	25	60	0.6	1	127	637	7	0.427
GE50ES	GE50ES-2RS	50	75	35	28	66	0.6	1	156	780	6	0.546
GE55ES	GE55ES-2RS	55	85	40	32	74	0.6	1	200	1000	7	0.939
GE60ES	GE60ES-2RS	60	90	44	36	80	1	1	245	1220	6	1.04
GE70ES	GE70ES-2RS	70	105	49	40	92	1	1	313	1560	6	1.55
GE80ES	GE80ES-2RS	80	120	55	45	105	1	1	400	2000	6	2.31
GE90ES	GE90ES-2RS	90	130	60	50	115	1	1	488	2440	5	2.75
GE100ES	GE100ES-2RS	100	150	70	55	130	1	1	607	3030	7	4.45
GE110ES	GE110ES-2RS	110	160	70	55	140	1	1	654	3270	6	4.82
GE120ES	GE120ES-2RS	120	180	85	70	160	1	1	950	4750	6	8.05
GE140ES	GE140ES-2RS	140	210	90	70	180	1	1	1070	5350	7	11.02
GE160ES	GE160ES-2RS	160	230	105	80	200	1	1	1360	6800	8	14.01
GE180ES	GE180ES-2RS	180	260	105	80	225	1.1	1.1	1530	7650	6	18.65
GE200ES	GE200ES-2RS	200	290	130	100	250	1.1	1.1	2120	10600	7	28.03
GE220ES	GE220ES-2RS	220	320	135	100	275	1.1	1.1	2320	11600	8	35.51
GE240ES	GE240ES-2RS	240	340	140	100	300	1.1	1.1	2550	12700	8	39.91
GE260ES	GE260ES-2RS	260	370	150	110	325	1.1	1.1	3030	15190	7	51.54
GE280ES	GE280ES-2RS	280	400	155	120	350	1.1	1.1	3570	17850	6	65.06
GE300ES	GE300ES-2RS	300	430	165	120	375	1.1	1.1	3800	19100	7	78.07