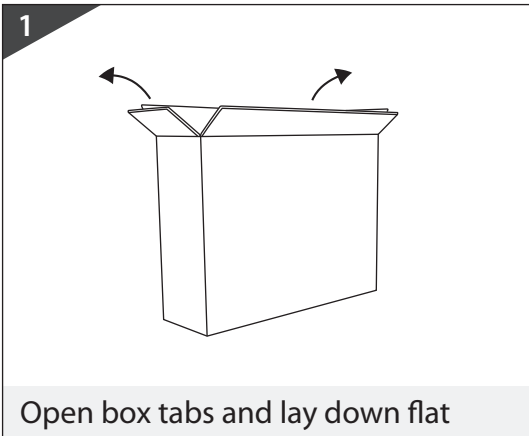
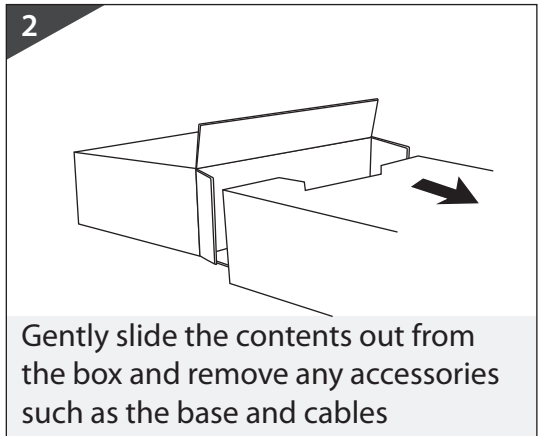


- | | |
|------------------|--------------------|
| ① -BRIGHTNESS | ⑦ USB 2.0 PORTS |
| ② + BRIGHTNESS | ⑧ POWER CABLE PORT |
| ③ A-ADVANCE MENU | ⑨ VGA PORT |
| ④ M-MONITOR OFF | ⑩ USB 3.0 PORTS |
| ⑤ RESET | ⑪ MICROPHONE INPUT |
| ⑥ POWER | ⑫ AUDIO OUTPUT |



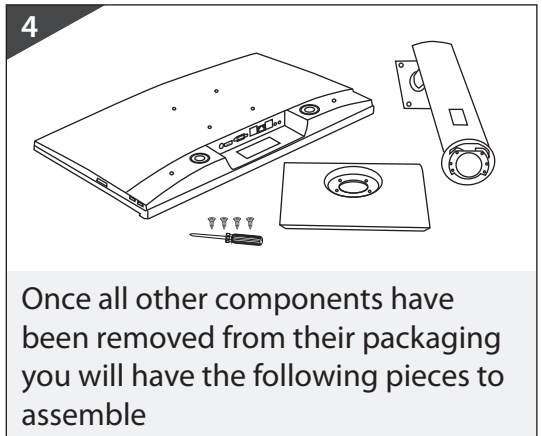
Open box tabs and lay down flat



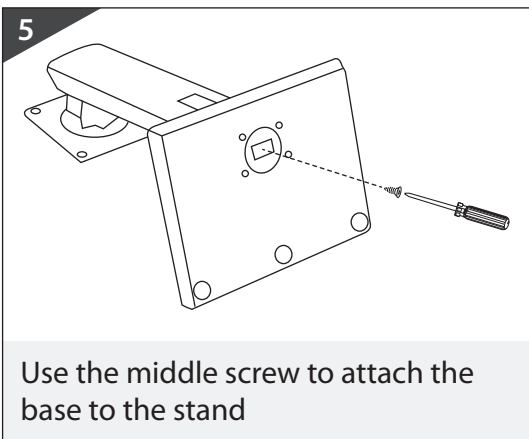
Gently slide the contents out from the box and remove any accessories such as the base and cables



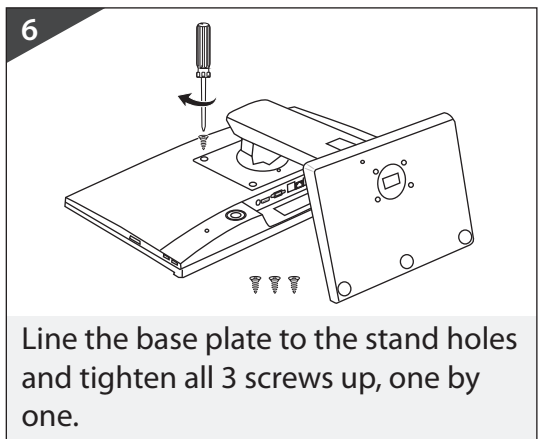
Remove packaging from the AIO and carefully remove the foam cover from the device.



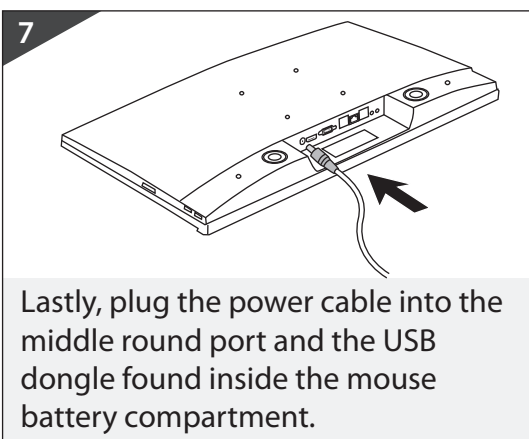
Once all other components have been removed from their packaging you will have the following pieces to assemble



Use the middle screw to attach the base to the stand



Line the base plate to the stand holes and tighten all 3 screws up, one by one.



Lastly, plug the power cable into the middle round port and the USB dongle found inside the mouse battery compartment.

Portus Digital, Unit 2
Sutton Business Park
Hackbridge, SM6 7AH

0208 6695 796
(10:00am - 17:00pm)

sales@portusdigital.com

www.portusdigital.com