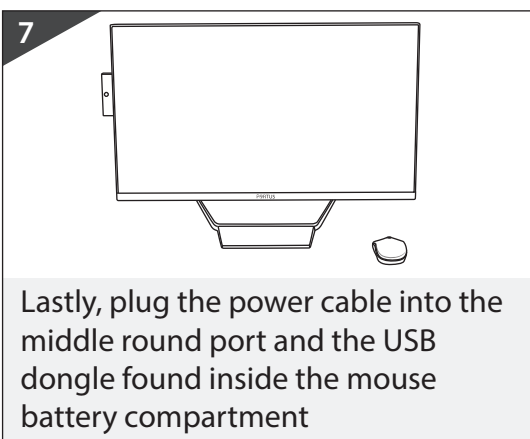
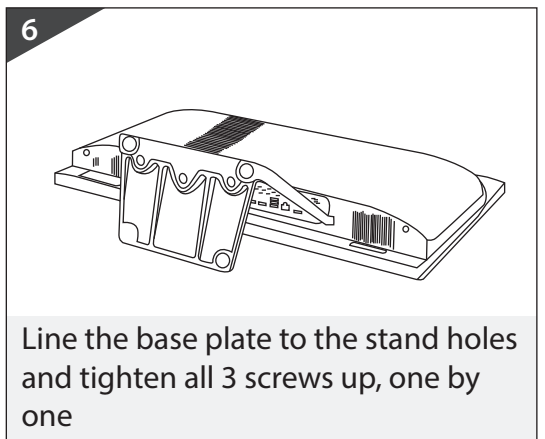
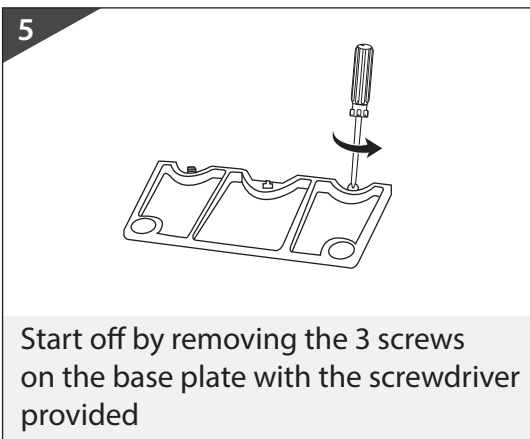
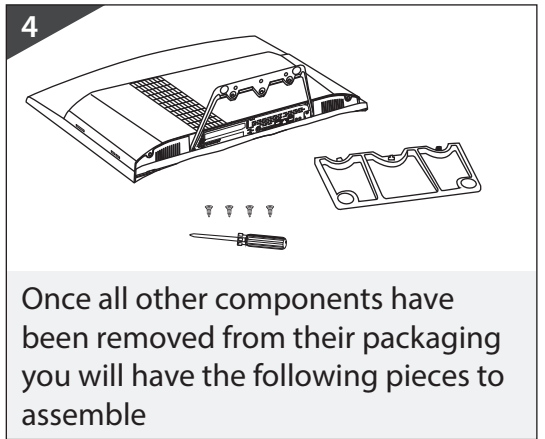
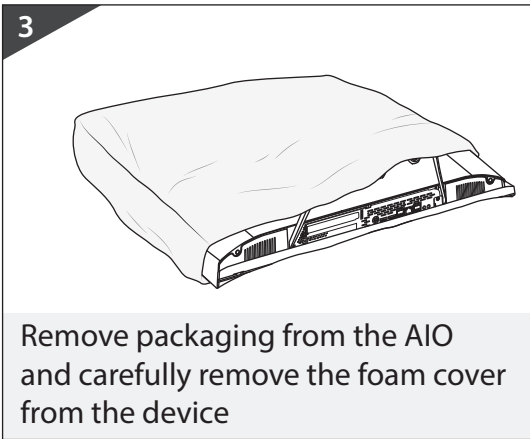
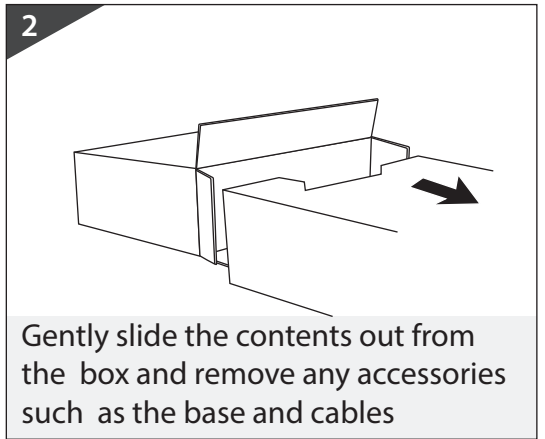
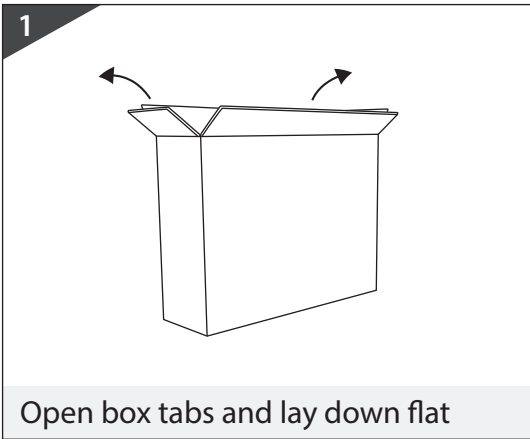
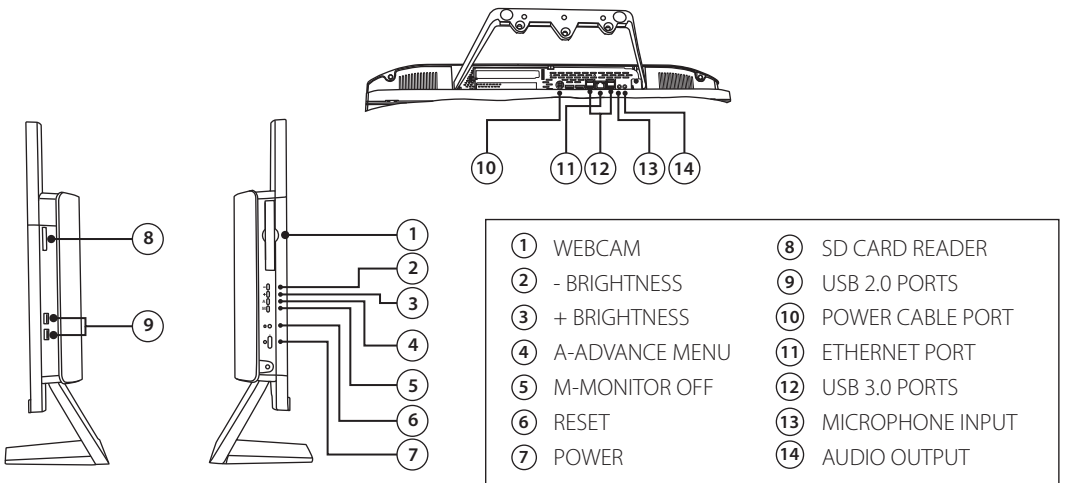


# PORTUS DIGITAL

PORTUS 27 SERIES

USER MANUAL



Portus Digital, Unit 2  
Sutton Business Park  
Hackbridge, SM6 7AH

0208 6695 796  
(10:00am - 17:00pm)

sales@portusdigital.com

www.portusdigital.com