

Reflex Roller Mount M1/M2/M3 – Data Sheet

MODEL M1

Fits 89mm–114mm (3.5"– 4.5") I-BEAM

Supply options: 89mm-102mm (3.5"-4.0")
102mm-114mm (4.0"- 4.5")

MODEL M2

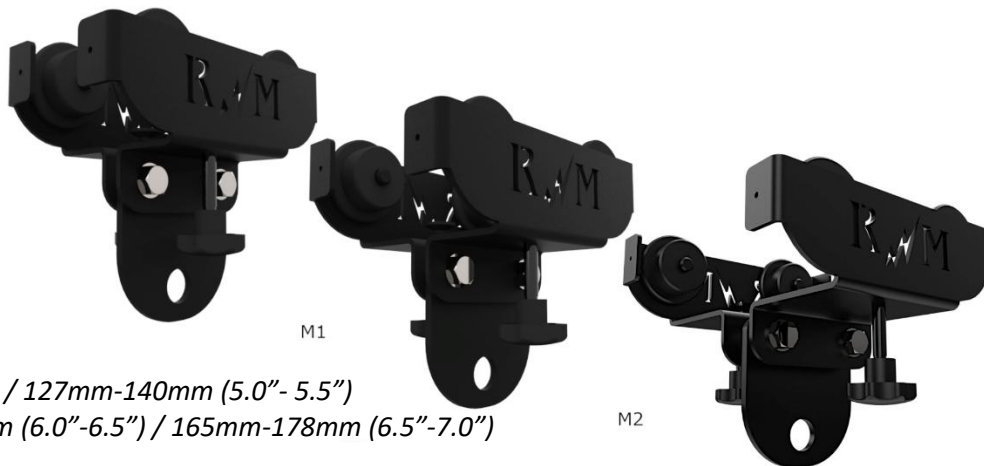
Fits 114mm – 178mm (4.5"– 7") I-BEAM

Supply options: 114mm-127mm (4.5"-5.0") / 127mm-140mm (5.0"- 5.5")
140mm-153mm (5.5"-6.0") / 153mm-165mm (6.0"-6.5") / 165mm-178mm (6.5"-7.0")

MODEL M3

Fits 178mm – 254mm (7"–10") I-BEAM

Supply options: 178mm-190mm (7.0"-7.5") / 190mm-203mm (7.5"- 8.0")
203mm-216mm (8.0"-8.5") / 216mm-229mm (8.5"-9.0") / 229mm-241mm (9.0"-9.5") / 241mm-254mm (9.5"-10.0")



- A rolling lockable punching bag mount for use with I-beams or the Reflex Roller Mount Track
- Turns your existing I-Beam into a punch bag sliding track rail quickly and easily
- For heavy bags up to 118kg/260lb.
- Suitable for both commercial and home gyms
- Made from 4mm British steel with durable powder coat finish
- UHMWPE wheels for a smooth rolling operation
- Grade 8.8 High Tensile mounting hardware included
- Laser cut Reflex Mounts logo
- 5-year warranty!
- Manufactured in the UK

