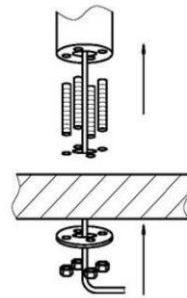


Installation guide

1) Secure the mounting tube

Line up the mounting tube and mark where you want to install it. Drill 4 screw holes and the central charge cable hole through the surface. You can use the round metal strengthening plate as a template to mark on the surface where you need to drill. Screw the four double headed screws into the tube all the way, then push the tube and screws into the drill holes. *Remember the power cable has to run through the hole in the middle of the tube, so ensure the middle drill hole is wide enough to pass a USB head through.* Secure the pole from the other side of the surface with the strengthening plate and the bolts provided as per the diagram.



NOTE! If your surface is not between 2.5 and 4.5cm thick or you can't access the other side surface, you need a LocPad screw mount base (ADLOC115W). You can attach the screw mount base to the surface from above, then screw the mounting pole to the base. There is no need to access the surface from behind to install in this case.

2) Attach the enclosure to the tube

Secure the enclosure chassis to the mount tube with the 4 x screws provided. Make sure you install the round metal strengthening plate behind the screws as highlighted in the picture. This is now a good time to ensure your charge cable is fed through the holes and in place



3) Install the fit kit

Install the four corners of the fit kit onto the predefined pegs of the enclosure. Make sure you install the corners the correct orientation, allowing for any indents for power switches / power cables etc.



4) Install the tablet

Connect the charging lead to the tablet and slot your tablet into the 'fit kit'. The tablet should fit perfectly into the fit kit. If it is not, check you have the fit-kit corners the correct way round. If the tablet doesn't fit at all, it's possible you have a fit-kit for another tablet brand. Give us a call.



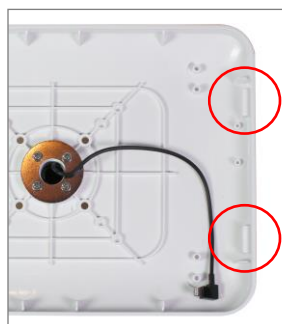
5) Lay the face plate over the tablet

Peel off the protective covering on the faceplate. Lay the plate on top of the tablet, ensuring it's on the right way round. The camera and home buttons (if selected) should clearly be in the correct place.



6) Install and lock the front metal enclosure plate

There are two hooks on the underside of the metal plate which should line up the appropriate receptacles on the rear part of the enclosure. Slot these in and pivot the rest of the metal plate down onto the enclosure, then press the barrel lock in to lock the face plate in place. Insert the key into the barrel lock and rotate to release the lock and allow the metal plate to be removed again.



Hook the metal front plate here.



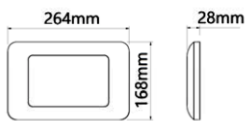
Specification sheet

The armourdog® LocPad anti-theft kiosk is a stylish and flexible way to protect your tablet from theft and damage in an open access area. The modular construction and simple design allows you to mount your tablet however you want; freestanding on the floor, wall mounted, or desk. There are a number of iterations available, and this guide will take you through the various options and how to install them.



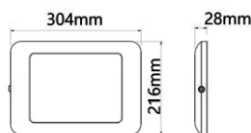
LocPad Enclosures

There are three sizes of tablet enclosure available, from the iPad Mini all the way up to the 12.9" iPad Pro. The 9" to 11" enclosure offers the most choice of tablet compatibility including Apple, Samsung, and Lenovo. We use an internal 'fit kit' with a specially fitted face plate to allow these various sized tablets to be securely held in place. These fit kits can be swapped out at a later date, allowing you to upgrade your tablet while retaining the same kiosk.



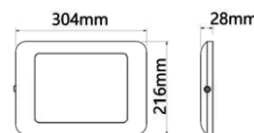
**Kiosk Enclosure 7"-9"
ADLOC102W**

iPad mini 4/5
Galaxy Tab 4/A 7
Galaxy Tab Active2 T390/395
Galaxy Tab A 8 (2019) T290/295
Lenovo M8 and M8 FHD Plus



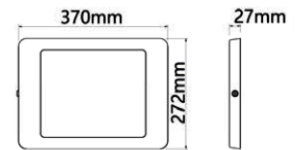
**Kiosk Enclosure 9"-11"
ADLOC100W**

iPad 2/3/4
iPad 2017/2018 9.7
iPad Air 1/2
Galaxy Tab A 9.7
Galaxy Tab S2 & S3 9.7
Galaxy Tab E 9.6
Lenovo Miix 320
Lenovo M10 /P10
Lenovo M10 FHD Plus



**Kiosk Enclosure v2 9"-11"
ADLOC103W**

iPad Air 10.5 / Pro 10.5
iPad Pro 11
iPad 10.2
Galaxy Tab A 10.5
Galaxy Tab 4 10.1
Galaxy Tab A /A6 10.1 T580
Galaxy Tab S4 10.5
Galaxy Tab A /A6 10.1 T510
Galaxy Tab A7 10.4 T500
Tab A4 10.5
Lenovo Tab 2/3 A10
Lenovo Tab4 10 / Tab4 10 Plus
Huawei MediaPad T310
Huawei MediaPad T5

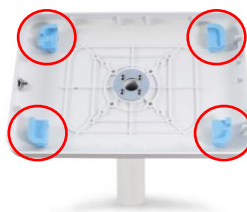


**iPad Pro 12.9" gen 1/2/3
ADLOC101W**

iPad Pro 12.9" gen 1/2/3

'Fit kits' and faceplates

Fit kits and the associated faceplates can be ordered separately, but will usually be bundled with a complete kiosk pack. Faceplates are available with the tablet's camera and home buttons both covered or both open, depending on your security requirements. Fit kits and faceplates can easily be changed at a later date so you don't have to buy a whole new LocPad if you update your tablet.



Fit Kit to hold tablet securely in place

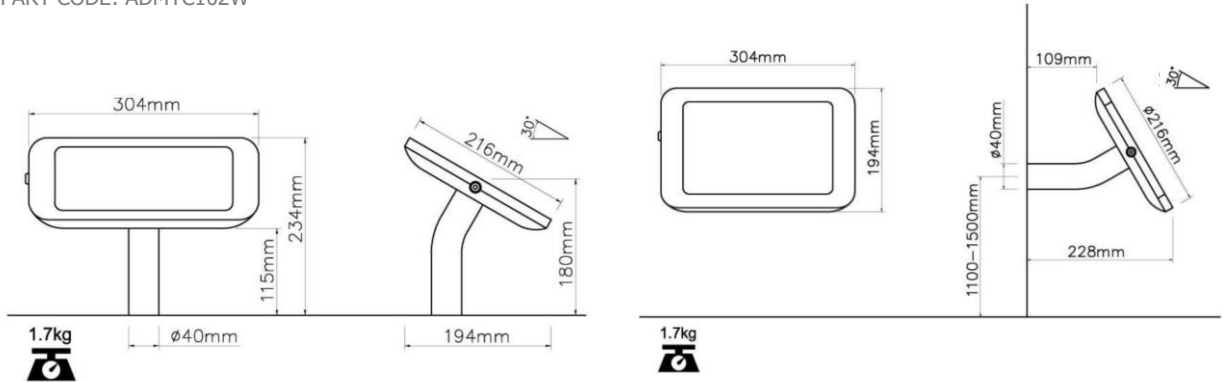


Tablet faceplate

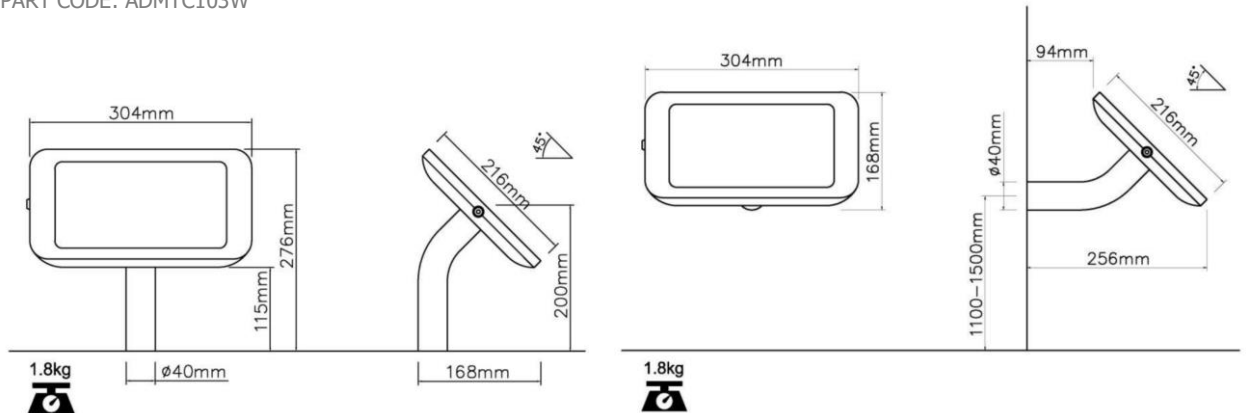
Mounting options

There are various mounting options for all three sizes of tablet enclosure. These are usually sold in a bundle with all of the components required for you to build a complete installation, but can be ordered separately if you wish to modify or upgrade your current LocPad. You can install the tablet onto the mount in a landscape or portrait orientation.

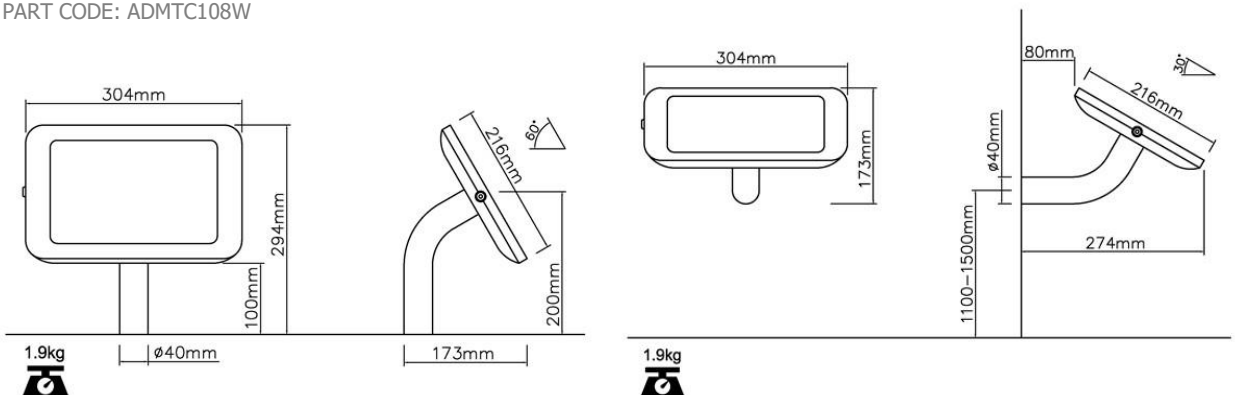
LocPad® 30° mounting tube. The 30° angled tube can be mounted onto a desk or wall and has a fairly shallow angle.
PART CODE: ADMTC102W



LocPad® 45° mounting tube. The 45° angled tube can be mounted onto a desk or wall and has is the best 'all round' choice for most installations. If you're not sure which mount to use, the 45° mounting tube is usually the one to go for.
PART CODE: ADMTC103W



LocPad® 60° mounting tube. The 60° angled tube can be mounted onto a desk or wall.
PART CODE: ADMTC108W



Mounting options

There are various mounting options for all three sizes of tablet enclosure. These are usually sold in a bundle with all of the components required for you to build a complete installation, but can be ordered separately if you wish to modify or upgrade your current LocPad. You can install the tablet onto the mount in a landscape or portrait orientation.

LocPad® 'Gooseneck' mount. This flexible tube allows for a wide degree of movement, allowing the user to adjust the angle of the screen for their viewing comfort. The display can be bent right over backwards to show a customer the screen for instance. This mount gives huge flexibility when various viewing angles are required.

PART CODE: ADMTC104W

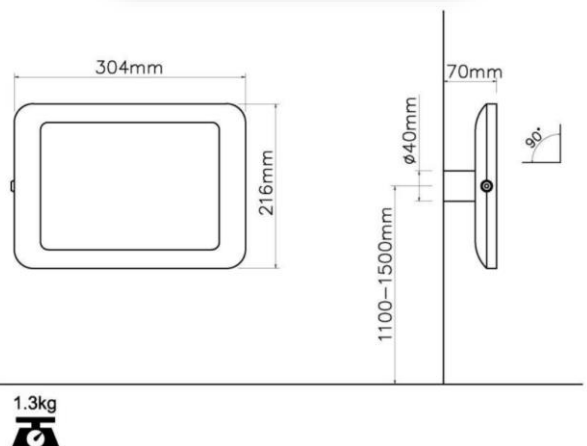
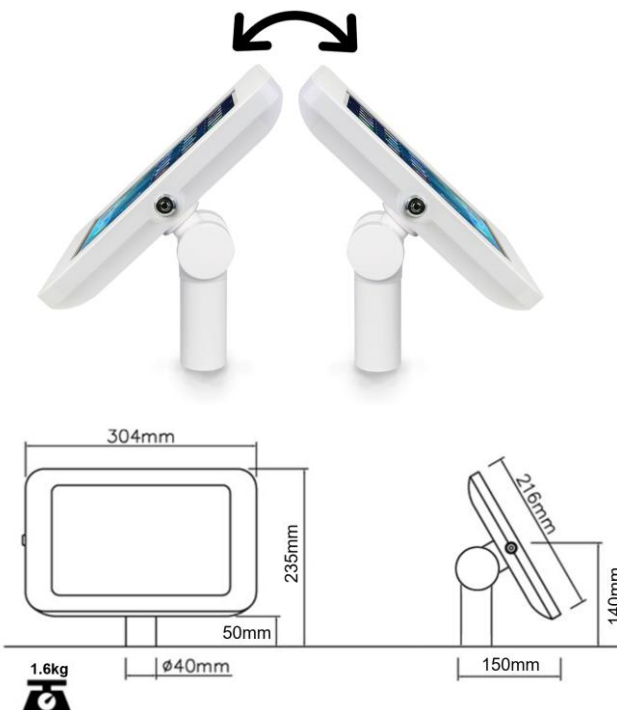


LocPad® tilt mount. This strong desk or wall mount allows the tablet to be tilted towards or away from the user. Useful in a retail environment to allow the tablet to be tilted towards the customer for them to inspect the screen. When wall mounted, the screen can be angled to suit users of varying heights. This also allows for easy use by wheelchair users.

PART CODE: ADMTC107W

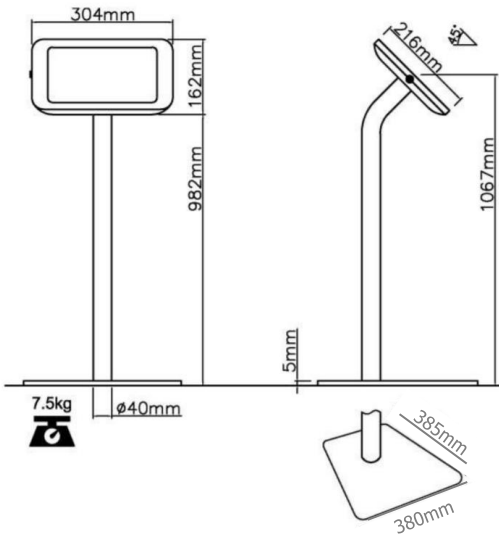
LocPad® wall mount. This short, 90° tube allows for easy configuration onto a solid or partition wall. When sold in a kiosk bundle, the wall mount is supplied with the 'screw mounting base' to allow for simple installation to solid walls.

PART CODE: ADMTC101W

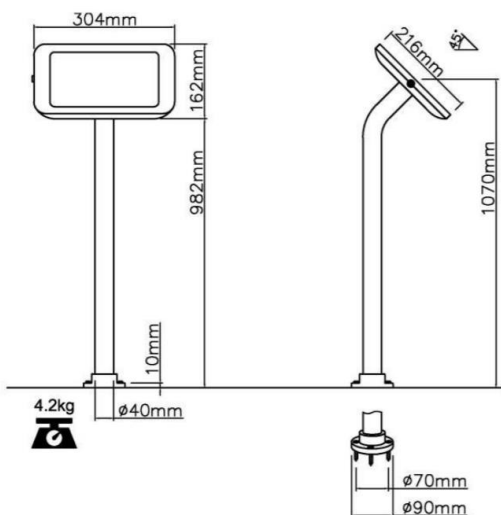


Mounting options

LocPad® Freestanding floor mount. At just over 1 metre tall, the floor mount is the perfect solution to present information to the customer where a suitable desk or wall mount isn't possible. The pole can be bolted directly into the floor, but installation onto the supplied floor plate allows the tablet to be moved according to requirements. There is a Kensington lock point at the base of the pole for added security. Great for a larger display like the iPad Pro 12.9". We suggest using one of our extended charge cables to power the tablet.
PART CODE: ADMTC105W



LocPad® Fixed floor mount. Similar to the freestanding in dimensions, the fixed floor mount requires screwing into the floor for a secure installation.
PART CODE: ADMTC109W



Other mounts and customisation options.

Other mounting options are available on request. We can also manufacture to custom colour and company logo specifications (although a Minimum Order Quantity maybe required). If you have any specific requirements, please just give us a call to discuss.



Accessories



LocPad® Freestanding desk base

If you require your LocPad tablet kiosk to be mobile or simply don't want to drill holes into your desk / furniture, this base will allow you to do both. The heavy-duty steel base supports the kiosk completely without having to damage your office furniture.
PART CODE: ADTBC113W

LocPad® Rotating desk base

This optional base allows the user to rotate the LocPad around its lower mount point. Useful if you need to spin the kiosk round to show the screen contents to a customer. The base allows for approx. 300 degrees of motion.
PART CODE: ADLOC117W

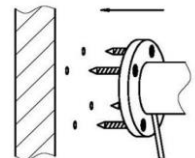


LocPad® Landscape / portrait mount

This optional kiosk mount allows the user to rotate the LocPad enclosure from landscape to portrait at will. The security of the enclosure is maintained while offering the flexibility of viewing positions.
PART CODE: ADLOC116W

LocPad® screw mount base.

The screw mount base allows you to secure the LocPad to a wall or desk without having to drill all the way through the surface. The screw mount base screws into the surface from above, then the LocPad attaches to the screw mount base. This is particularly useful when mounting to a solid wall.
PART CODE: ADLOC115W



Combination lock with 1.5m steel cable Keyed system lock with cable trap Keyed barrel lock with 1.5m steel cable

PART CODE: ADASH256

PART CODE: ADASH255

PART CODE: ADASH128

LocPad security locks have been designed to add a further level of visual security to your asset. The keyed and combination locks have a coated, tempered steel cable that can loop around a fixed point. The system lock with cable trap allows you to use a longer security cable to chain multiple LocPad's together.

Micro USB charge cable 3m with angled head Apple lightning charge cable. 3m with angled head USB Type-C charge cable 3m with angled head

PART CODE: ADCBC118

PART CODE: ADCBC119

PART CODE: ADCBC120

LocPad charge cables are specially designed to fit within the LocPad tablet enclosure to keep your tablet charged. The 3m long cable allows you to place the LocPad away from your power point.

