

# Gemini

## Double Sided Tablet Stand

Introducing our fully customisable double sided stand, designed to work with any iPad or Android tablet model.





# Universal Dual Display

This Double Sided tablet stand offers a versatile counter top point-of-sale solution that provides both a staff and customer facing user experience. Compatible with the Elite, Touch and Edge casing options to suit your unique use case. Designed and engineered by Bosstab.

# Multiple case options

This dual use tablet stand gives you the option to select unique casing options exclusive to Bosstab products. Choose from the Elite, Touch or Edge for your staff facing and customer facing displays. Mix and match to find a solution best fit for your use case.



# Mounting Options



**Freestanding**



**Screw Mount**



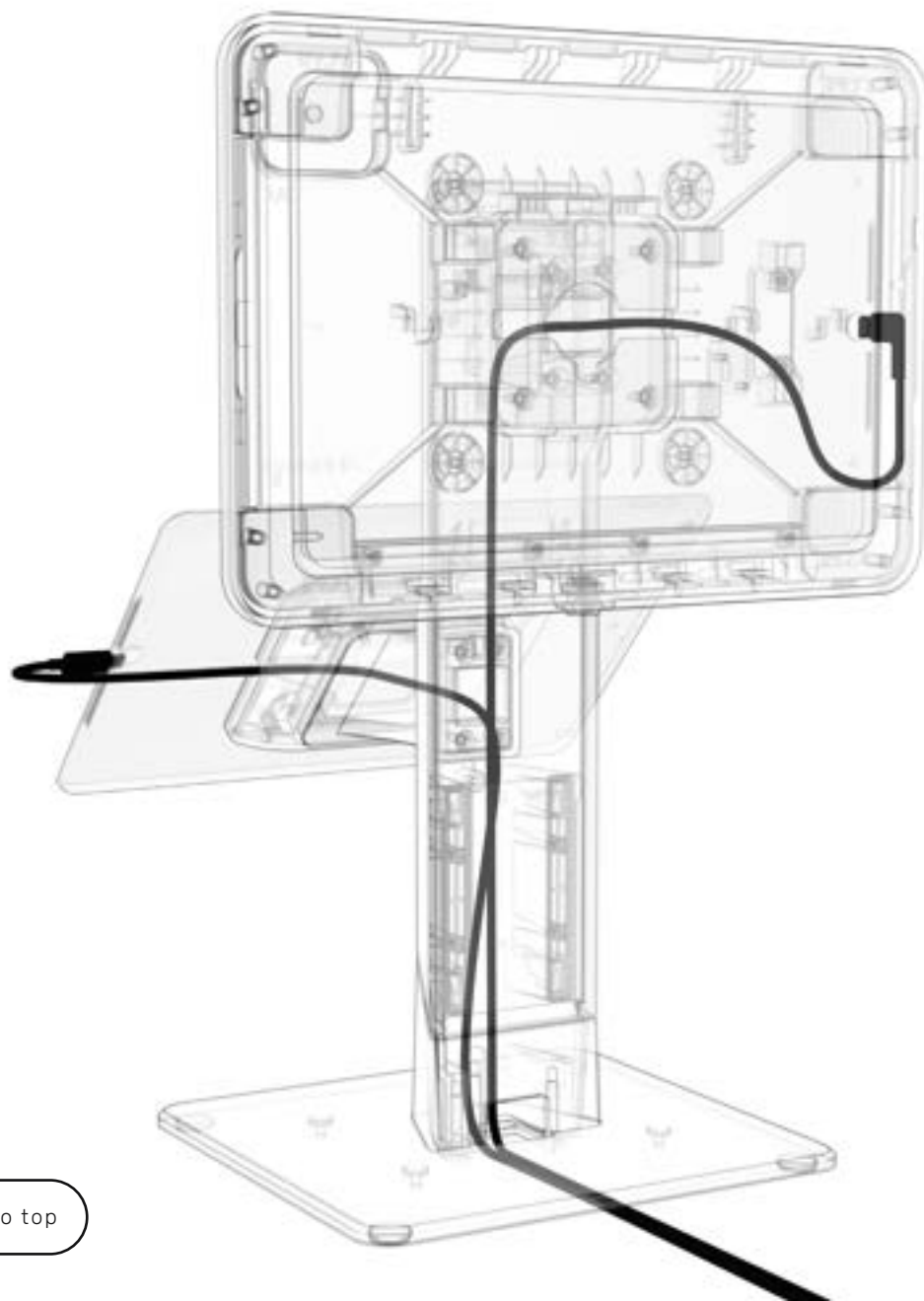
**Wall Mount**

# Self-Service Add On

Attach your card reader to the Gemini Tablet Stand for seamless self-service payments. Easy installation, durable design. Upgrade your business today for efficient transactions.



[Back to top](#)



## Internal Cable Management

The Double Sided tablet stand features internal cable management through the pole for a simple streamlined installation and sleek design. Simply feed the charging cables through your preferred case option and down the stand. Run your cable through the surface for a screw mounting option or follow the cable channel for a freestanding option.

# Single Sided Option

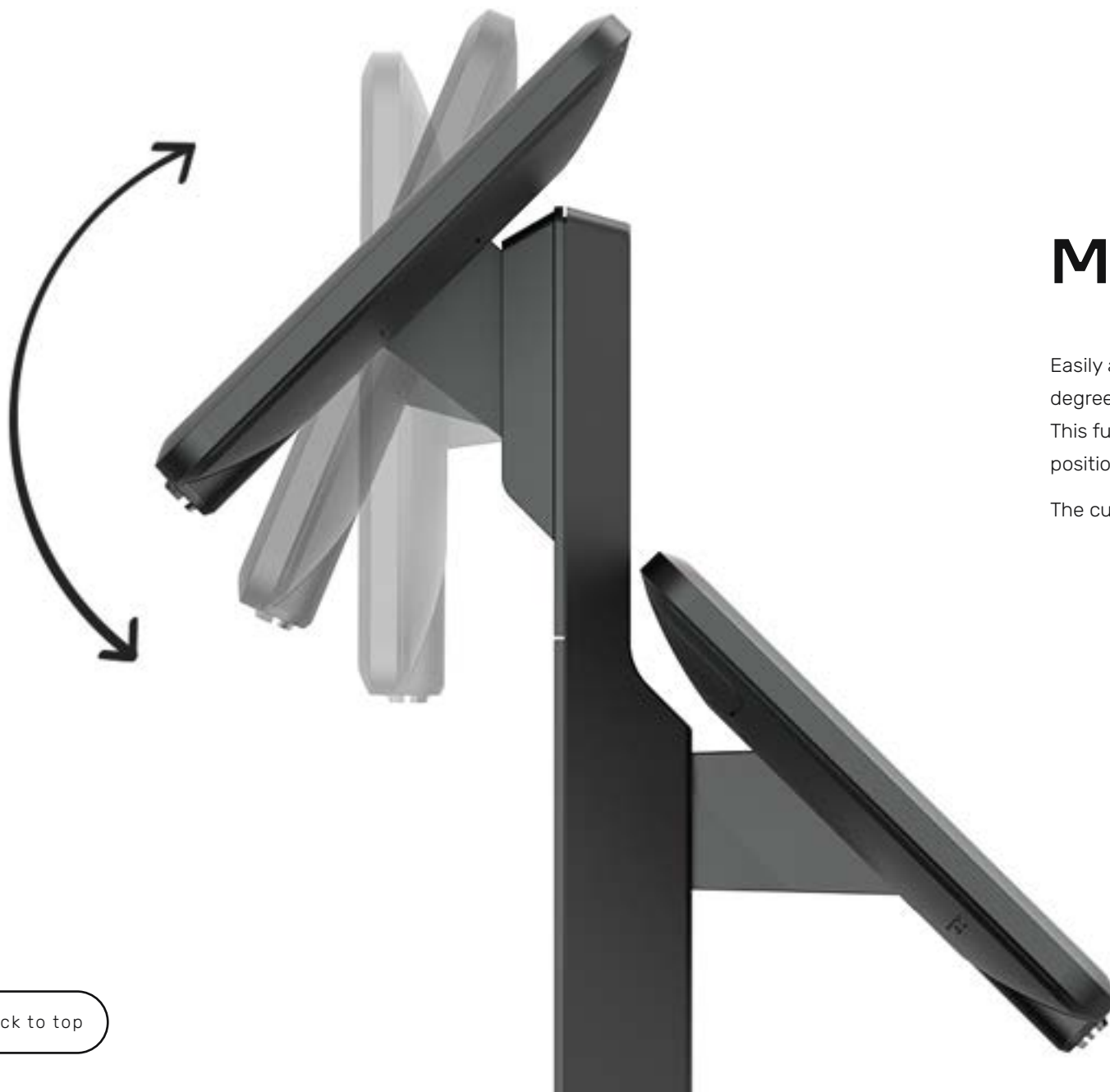
This stand offers even more versatility with the option to use as a single sided tablet stand. Perfect for any point-of-sale or visitor management check in system.





## Power Banks & PoE Adapter Storage

This Double Sided stand also features storage for power banks or PoE adapters which is easily accessible via the access panel located in the pole.



## Movement

Easily adjust the angle of your tablet with a 45 degree tilt adjustment included on the staff side. This functional and ergonomic design also includes a position lock if you require a fixed position.

The customer facing side remains a fixed option.

# Supported Tablets



## Elite



### iPad

- iPad 11-in (A16)
- iPad 10.9-in 10th Gen
- iPad 10.2-in 7th/8th/9th Gen

### Pro

- iPad Pro 13-in M4/M5
- iPad Pro 11-in M4/M5
- iPad Pro 12.9-in 3rd/4th/5th/6th Gen
- iPad Pro 9.7-in 1st Gen

### Air

- iPad Air 13-in M2/M3
- iPad Air 11-in M2/M3
- iPad Air 9.7-in 1st/2nd Gen

## SAMSUNG

### Tab A

- Galaxy Tab A9+ 11"
- Galaxy Tab A8 10.5"
- Galaxy Tab A7 10.4"

### Tab S

- Galaxy Tab S7+/S8+/S9+/S10+ 12.4"
- Galaxy Tab S7/S8/S9/S11 11"



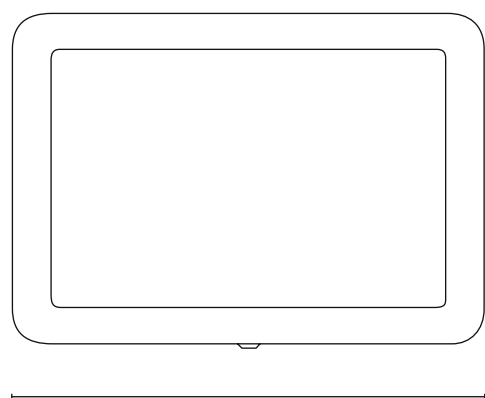
- Surface Pro 11th Edition 13"
- Surface Pro 8/9/10 13"



## Touch

The Touch case includes 3M adhesive strips that can attach to any tablet with a flat surface back.

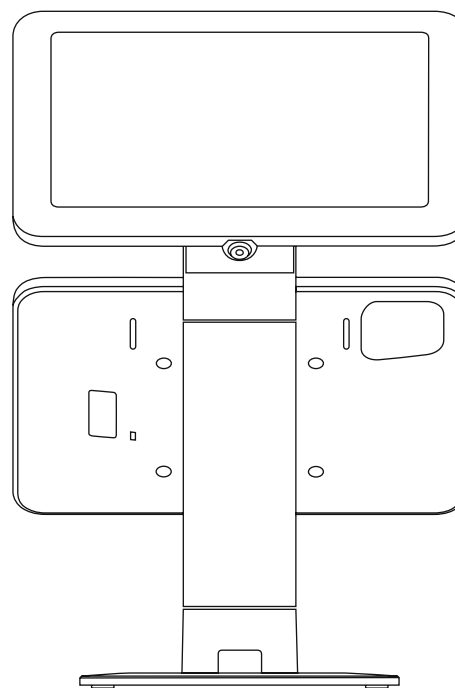
# Elite Specifications



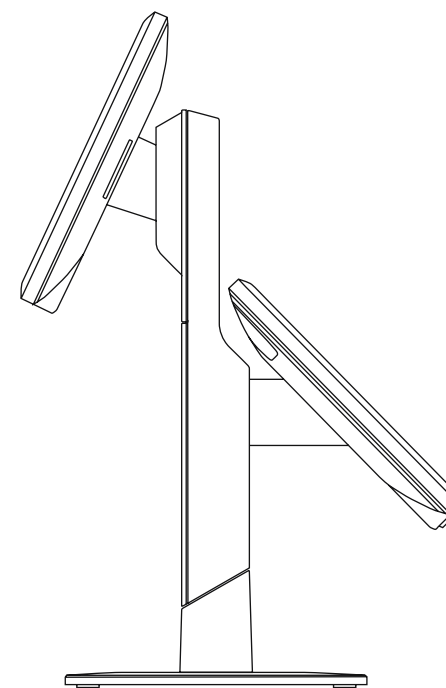
11.69" (297mm)



8.27" (210mm)



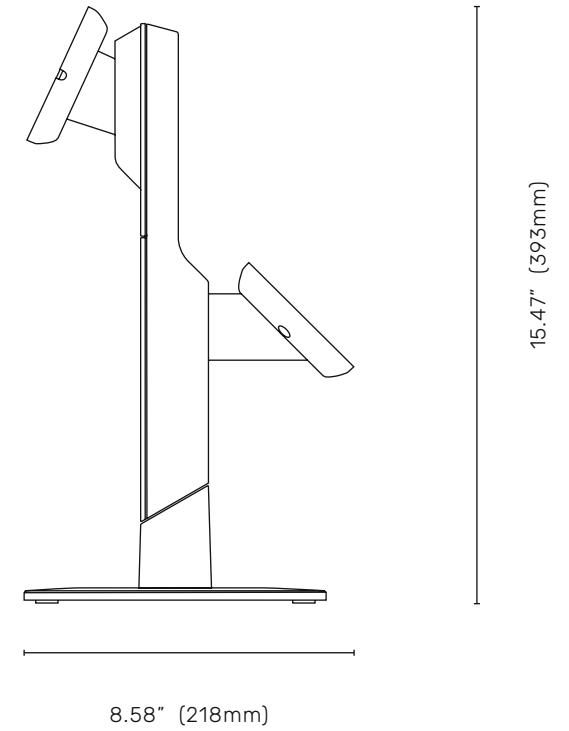
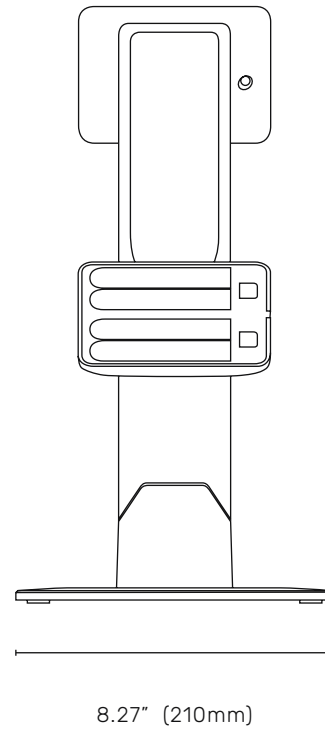
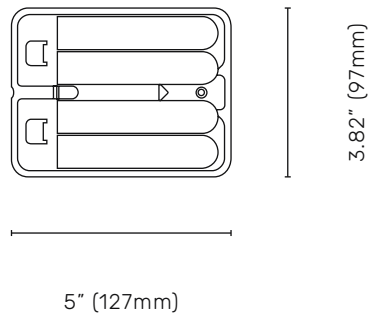
11.69" (297mm)



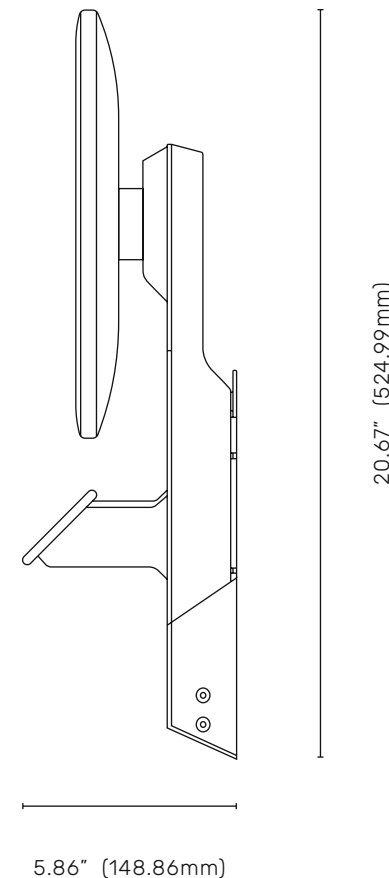
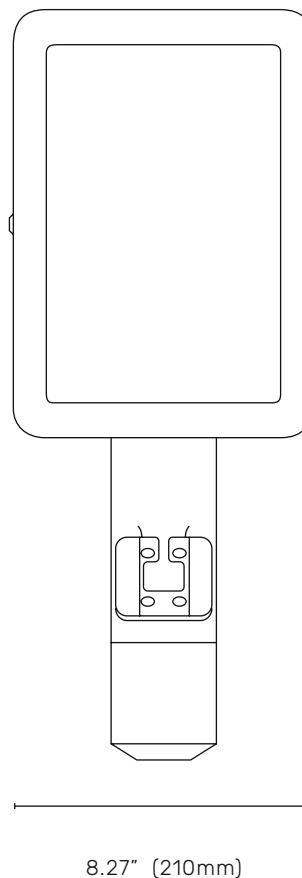
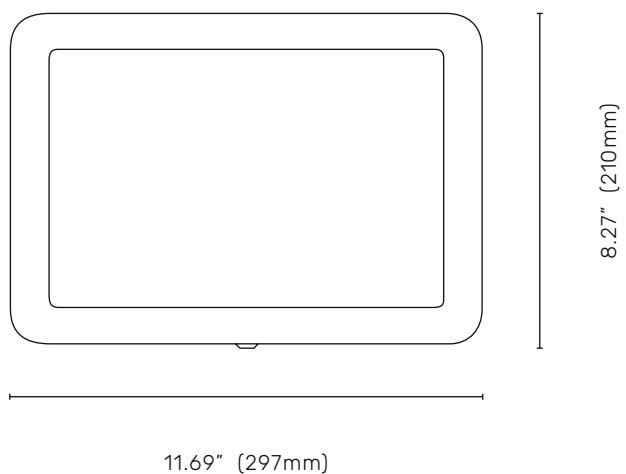
12.60" (320mm)

17.64" (448mm)

# Touch Specifications



# Elite Self-Service Wall Mount Specifications



# Touch Self-Service Wall Mount Specifications

