

Elite Nexus Wall Mount

The Elite Nexus Wall Mount offers high security and durability in a sleek and stylish casing. Featuring a 4 point lock and a strong coated metal faceplate to protect your iPad or android tablet.



Contents

4 Point Lock.....	3
Cable Management Options	4
Mounting Options.....	5
Desktop & Wall Mountable.....	6
Case Accessories	7
Recommended Positioning	8
Custom Branding Solutions.....	9
Supported Tablets	10
Specifications	11

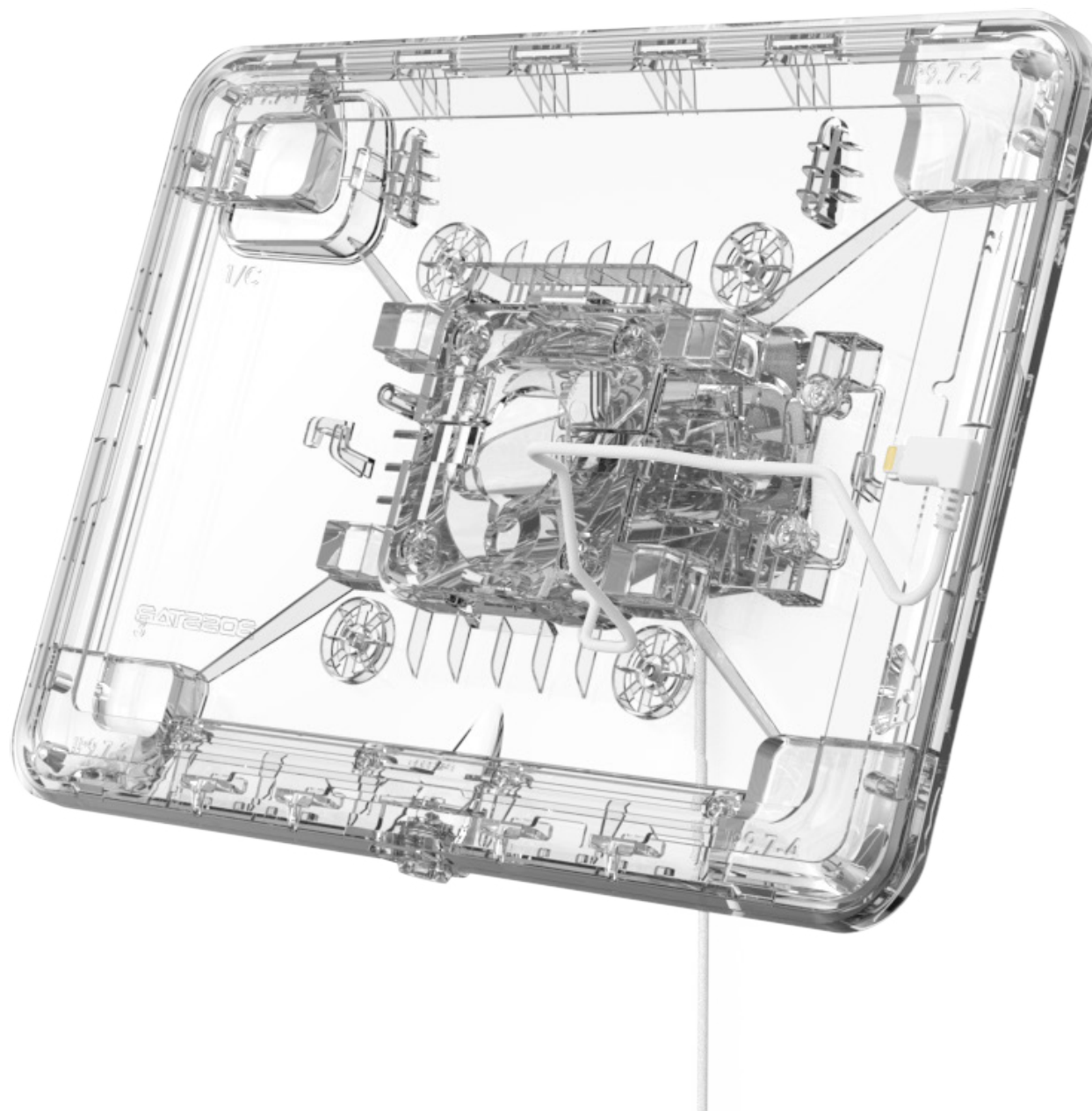


4 Point Lock

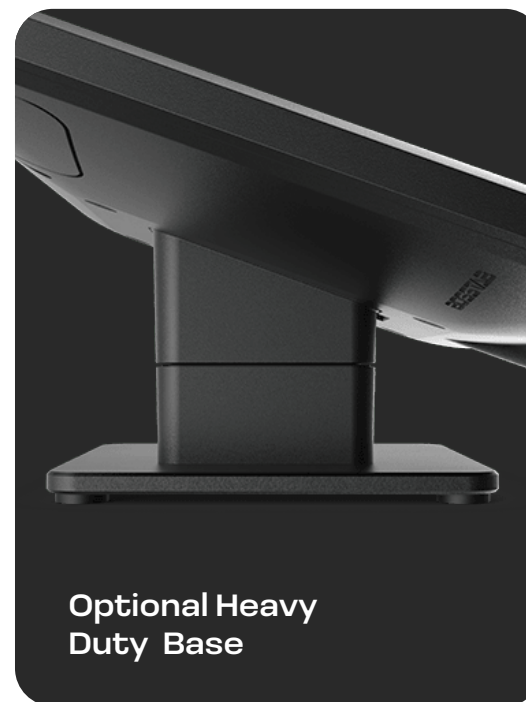
The Elite Nexus features a lockable faceplate that secures with a barrel key and four-point lock for ultimate security. As an additional security option, unique key and barrel sets are also available.

Cable Management

Keep your tablet charged with internal cable management in the fully enclosed case. The Elite Nexus tablet stand features two cable management options including the ability to discreetly run your cable from the device through the Elite case and Nexus base, or alternatively, run the cable directly through the included cut out in the case's rear.



Mounting Options



[Back to top](#)



Desktop Mount

Screw Mount, Adhesive & Freestanding options.



Wall Mount

Screw Mount only.

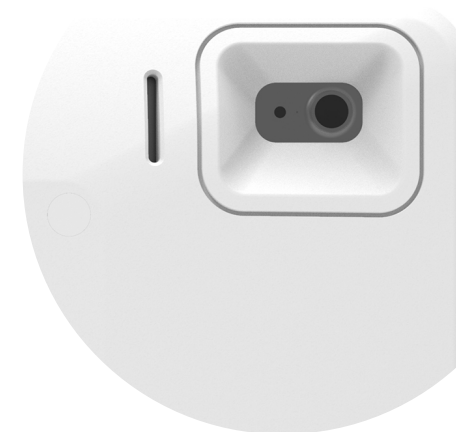
Case Accessories



Cable Cut Out



Cable Lock Port



Camera Cut Out



Recommended height for the Elite Nexus Wall Mount

51.2" - 59" (130 - 150 cm)

Custom Branding Solutions

Add your logo on the Elite Nexus Wall Mount with a silk-screen finish on our powder coated molded metal bases or on the front facing display.



Supported Tablets

**iPad**

iPad 10.9" 10th Gen

iPad 10.2" 7th 8th 9th Gen

Pro

iPad Pro 11" M4

iPad Pro 13" M4

iPad Pro 12.9" 3rd 4th 5th 6th Gen

iPad Pro 9.7"

Air

iPad Air 11" M2

iPad Air 13" M2

iPad Air 9.7" 2nd Gen

SAMSUNG**Tab A**

Galaxy Tab A8 10.5"

Galaxy Tab A7 10.4"

Tab S

Galaxy Tab S7+ S8+ S9+ S10+ 12.4"

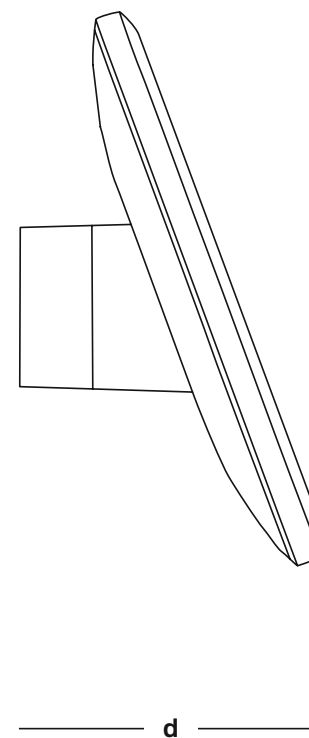
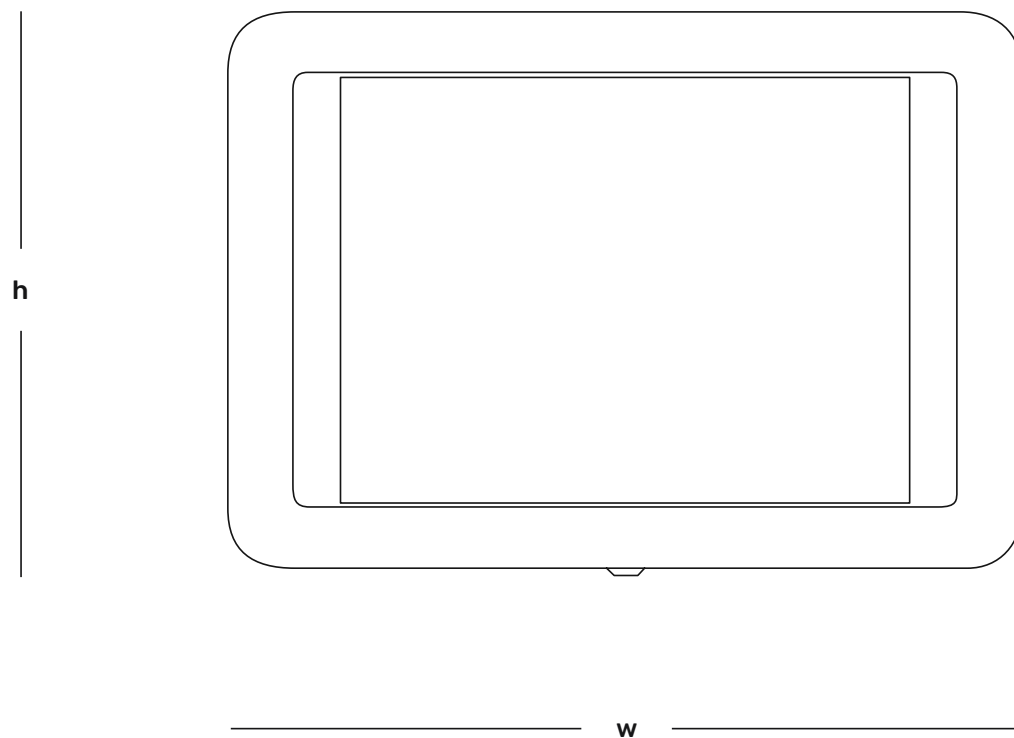
Galaxy Tab S7 S8 S9 11"



Surface Pro 8th 9th 10th Gen

Surface Pro 13" 11th Edition

Specifications



Elite Holder

w - 11.81" (300mm)

h - 7.87" (200mm)

d - 4.64" (118mm)

Large Elite Holder

w - 12.99" (330mm)

h - 10.24" (260mm)

d - 4.88" (124mm)