

Elite Evo Wall Mount



The Elite tablet wall mount offers high security and durability in a sleek and stylish casing. Featuring a 4 point lock and a strong coated metal faceplate to protect your iPad or android tablet.

Contents

4 Point Lock.....	3
Cable Management.....	4
Hinge Options.....	5
Movement.....	6
Desktop Mountable.....	7
Case Accessories.....	8
Recommended Positioning.....	9
Custom Branding Solutions.....	10
Supported Tablets.....	11
Specifications.....	12

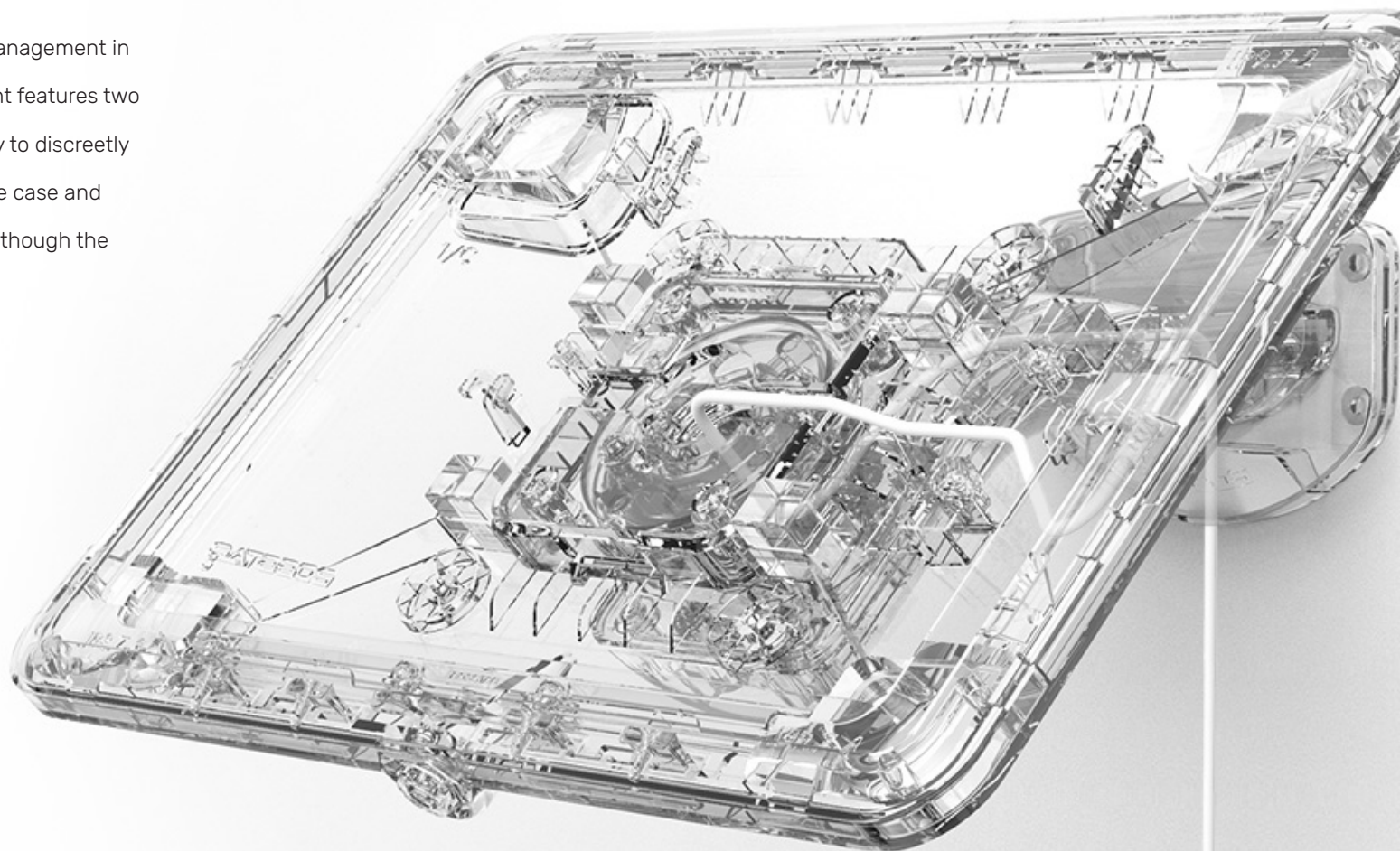


4 Point Lock

The Elite tablet enclosure features a lockable faceplate that secures with a barrel key and four-point lock for ultimate security. As an additional security option, unique key and barrel sets are also available. The Elite tablet stand is ideal for high-traffic areas or any commercial or educational environment where additional layers of security may be required for your device.

Cable Management

Keep your tablet charged with internal cable management in the fully enclosed case. The Elite Evo Wall Mount features two cable management options including the ability to discreetly run your cable from the device through the Elite case and Evo pole, or alternatively, run the cable directly through the included cut out in the case's rear.



Hinge Options



Evo Hinge

Fixed 45° angle



Evo X Hinge

Tilt and Rotation movement



40° Tilt



90° Rotation

Evo X Movement

Evo X Pole Only

Both Screw Mount and Freestanding options rotate between portrait and landscape and also features a 40-degree tilt for a functional and ergonomic design. This stand also features a position lock on both tilt and rotate movements for a fixed option.

Back to top



Additional Mounting Options

The Evo X Wall Mount base is also desktop mountable. When mounting on a counter-top, you can either mount from above and cover screws with the base cover or alternatively screw from below for a sleek mounting option.

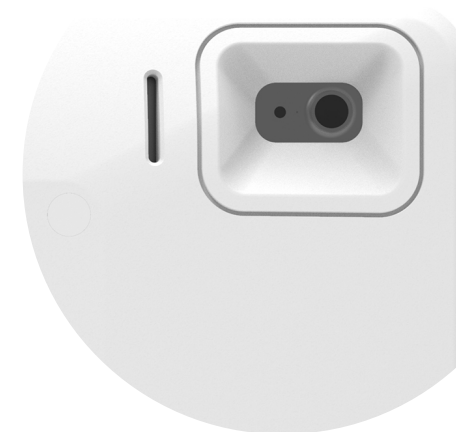
Case Accessories



Cable Cut Out



Cable Lock Port



Camera Cut Out



Recommended height for the Elite Evo Wall Mount

43.3" - 59" (110 - 150 cm)



Custom Branding Solutions

Add your logo on the Elite Evo Wall Mount with a silk-screen finish on our powder coated molded metal bases or on the front facing display.

Supported Tablets

**iPad**

iPad 10.9" 10th Gen

iPad 10.2" 7th 8th 9th Gen

Pro

iPad Pro 11" M4

iPad Pro 13" M4

iPad Pro 12.9" 3rd 4th 5th 6th Gen

iPad Pro 9.7"

Air

iPad Air 11" M2

iPad Air 13" M2

iPad Air 9.7" 2nd Gen

SAMSUNG**Tab A**

Galaxy Tab A8 10.5"

Galaxy Tab A7 10.4"

Tab S

Galaxy Tab S7+ S8+ S9+ S10+ 12.4"

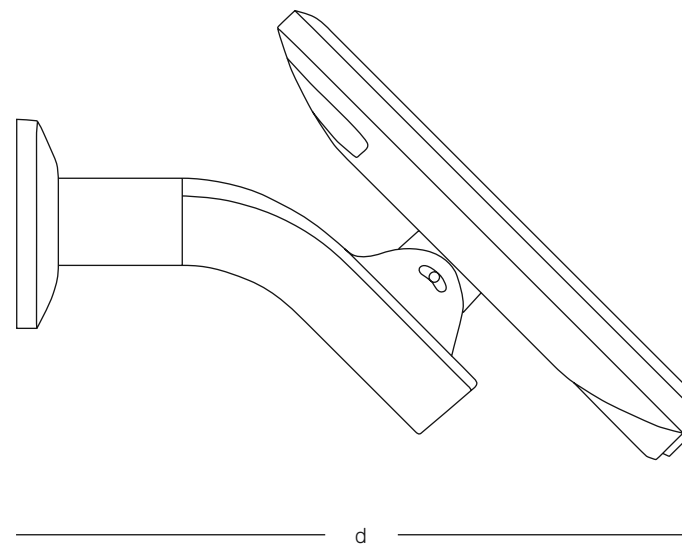
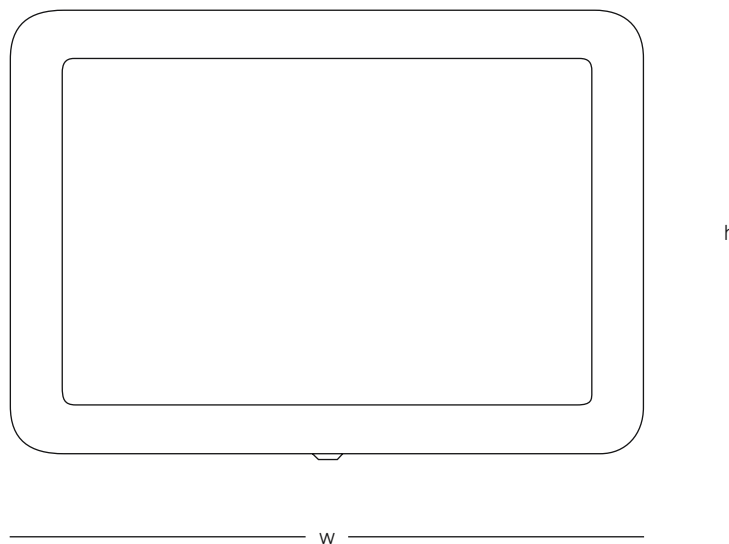
Galaxy Tab S7 S8 S9 11"



Surface Pro 8th 9th 10th Gen

Surface Pro 13" 11th Edition

Specifications



Elite Holder

w - 11.69" (297mm)

h - 8.27" (210mm)

Large Elite Holder

w - 12.99" (330mm)

h - 10.24" (260mm)

Elite Holder

d - 11.42" (290mm)

Large Elite Holder

d - 11.93" (303mm)