

SKILL LEVEL



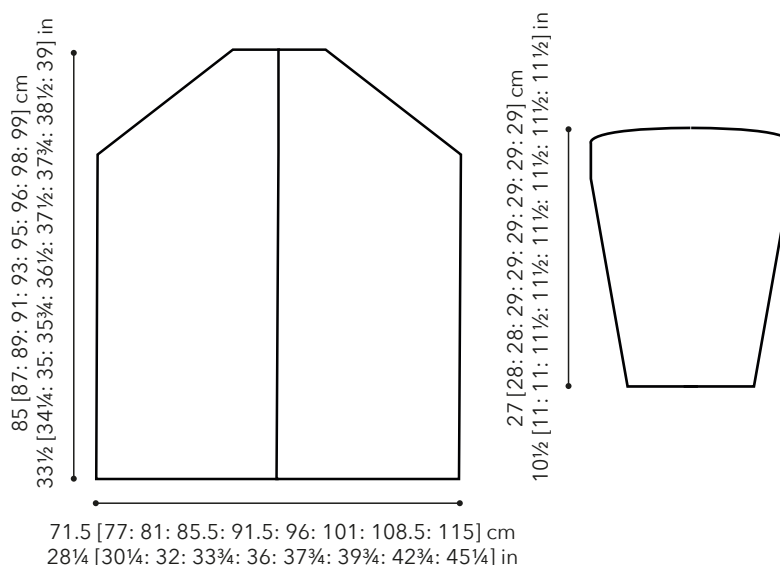
# blake

DESIGNED BY

Lisa Richardson



schematic



## SIZE

To fit bust

71-76	81-86	91-97	102-107	112-117	122-127	132-137	142-147	152-157	cm
28-30	32-34	36-38	40-42	44-46	48-50	52-54	56-58	60-62	in

Actual bust measurement of garment

143	154.5	162	171.5	183	192.5	202	217	230.5	cm
56¼	60¾	63¾	67½	72	75¾	79½	85½	90¾	in

## YARN

Merino Aria

22	24	25	26	26	27	27	28	28	x 50gm
----	----	----	----	----	----	----	----	----	--------

(photographed in Snow 47)

## NEEDLES

1 pair 7mm (no 2) (US 10½) needles  
Cable needle

## TENSION

21 sts and 22 rows to 10 cm / 4 in measured over patt using 7mm (US 10½) needles.

## SPECIAL ABBREVIATIONS

**C12B** = slip next 6 sts onto cable needle and leave at back of work, K6, then K6 from cable needle

**C12F** = slip next 6 sts onto cable needle and leave at front of work, K6, then K6 from cable needle

SKILL LEVEL



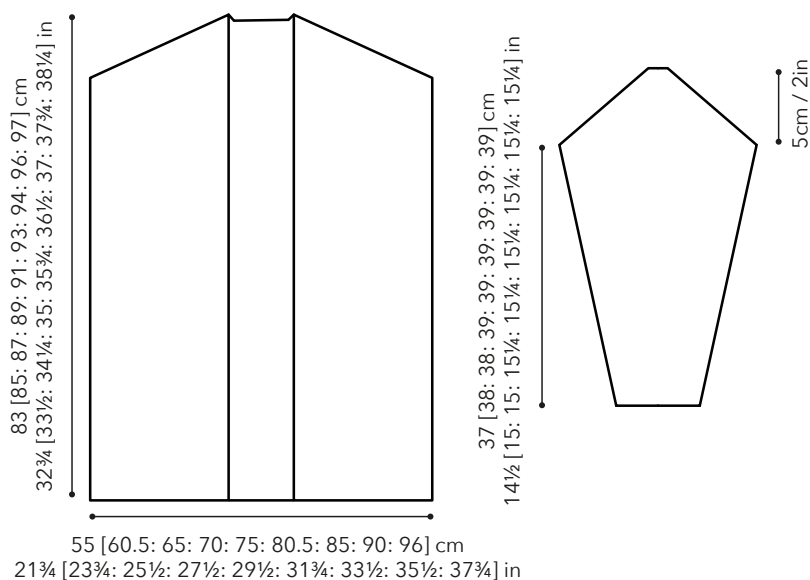
# levi

DESIGNED BY

*Georgia Farrell*



*schematic*



### SIZE

To fit bust

71-76	81-86	91-97	102-107	112-117	122-127	132-137	142-147	152-157	cm
28-30	32-34	36-38	40-42	44-46	48-50	52-54	56-58	60-62	in

Actual bust measurement of garment

110.5	121	129.5	140	150.5	161	169.5	180	192	cm
43½	47¾	51	55	59¼	63½	66¾	70¾	75½	in

### YARN

**Alpaca Classic**

11	11	12	13	14	14	15	15	16	x 25gm
----	----	----	----	----	----	----	----	----	--------

(photographed in Cinnamon 118 & Champagne 127)

### NEEDLES

1 pair 3¾mm (no 9) (US 5) needles

3¾mm (no 9) (US 5) circular needle at least 120 cm / 47 in long

### TENSION

23 sts and 32 rows to 10 cm / 4 in measured over patt using 3¾mm (US 5) needles.

SKILL LEVEL



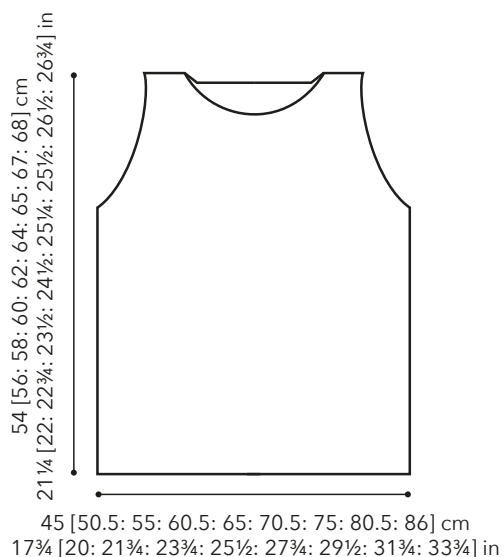
# bronx

DESIGNED BY

*Chloe Thurlow*



*schematic*



## SIZE

To fit bust

71-76	81-86	91-97	102-107	112-117	122-127	132-137	142-147	152-157	cm
28-30	32-34	36-38	40-42	44-46	48-50	52-54	56-58	60-62	in

Actual bust measurement of garment

90	101	110	121	130	141	150	161	172	cm
35 1/2	39 3/4	43 1/4	47 3/4	51 1/4	55 1/2	59	63 1/2	67 3/4	in

## YARN

### Kidsilk Haze

A Lustre 686									
2	2	2	2	2	2	3	3	3	x 25gm
B Cream 634									
1	1	1	1	2	2	2	2	2	x 25gm
C Bark 674									
1	1	1	1	1	1	1	2	2	x 25gm
D Nectar 687									
1	1	2	2	3	3	4	4	4	x 25gm

## NEEDLES

1 pair 3 1/2mm (no 10/9) (US 4) needles

1 pair 4mm (no 8) (US 6) needles

SKILL LEVEL



mae

DESIGNED BY

*Chloe Thurlow*



**FINISHED SIZE**

Completed scarf is 26 cm (10¼ in) wide and 180 cm (70¾ in) long, excluding fringe.

**YARN**

Kid Classic

4 x 50gm

(photographed in Bittersweet 866)

**NEEDLES**

1 pair 5mm (no 6) (US 8) needles

Cable needle

**TENSION**

19 sts and 25 rows to 10 cm / 4 in measured over st st using 5mm (US 8) needles. Cabled panel (17 sts) measures 6 cm / 2¼ in.

**SPECIAL ABBREVIATIONS**

**C6B** = slip next 3 sts onto cable needle and leave at back of work, K3, then K3 from cable needle

**C6F** = slip next 3 sts onto cable needle and leave at front of work, K3, then K3 from cable needle.

SKILL LEVEL



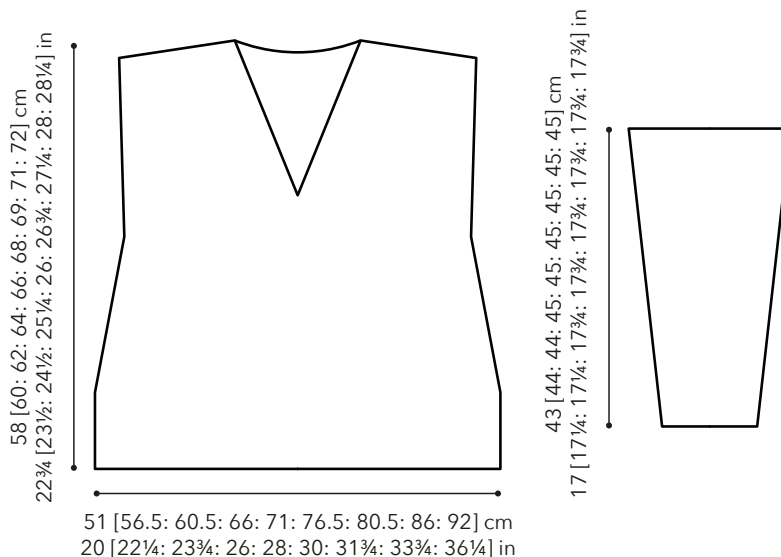
# wren

DESIGNED BY

Chloe Thurlow



schematic



## SIZE

To fit bust

71-76	81-86	91-97	102-107	112-117	122-127	132-137	142-147	152-157	cm
28-30	32-34	36-38	40-42	44-46	48-50	52-54	56-58	60-62	in

Actual bust measurement of garment

102	112.5	121	131.5	142	152.5	161	171.5	184	cm
40¼	44¼	47¾	51¾	56	60	63½	67½	72½	in

## YARN

**Kid Classic**

7	7	8	8	9	9	10	10	11	x 50gm
---	---	---	---	---	---	----	----	----	--------

(photographed in Bittersweet 868 & Champagne 898)

## NEEDLES

- 1 pair 5mm (no 6) (US 8) needles
- 2 double-pointed 4mm (no 8) (US 6) needles
- Cable needle

## TENSION

19 sts and 25 rows to 10 cm / 4 in measured over st st using 5mm (US 8) needles.

SKILL LEVEL



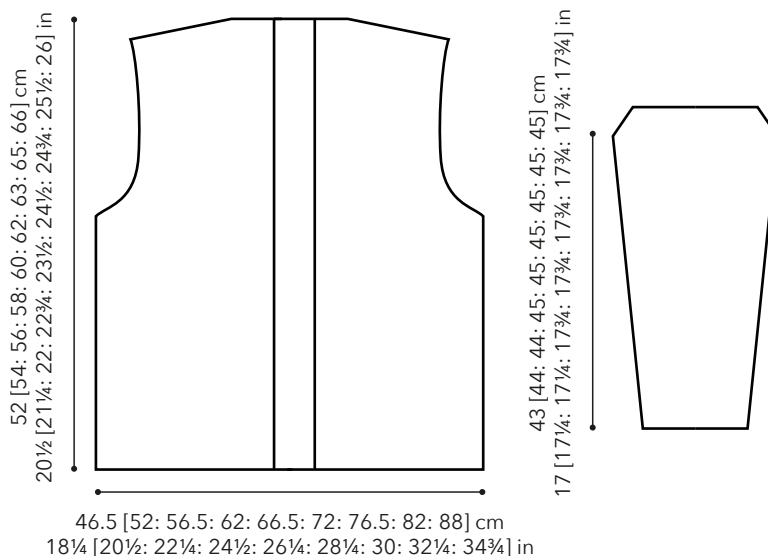
# kai

DESIGNED BY

*Erika Knight*



*schematic*



### SIZE

To fit bust

71-76	81-86	91-97	102-107	112-117	122-127	132-137	142-147	152-157	cm
28-30	32-34	36-38	40-42	44-46	48-50	52-54	56-58	60-62	in

Actual bust measurement of garment

93	104.5	113	124.5	133	144.5	153	164.5	175.5	cm
36½	41¼	44½	49	52¼	57	60¾	64¾	69	in

### YARN

**Merino Aria**

9	10	11	12	13	14	15	16	17	x 50gm
---	----	----	----	----	----	----	----	----	--------

(photographed in Natural 41 & Snow 47)

### NEEDLES

1 pair 7mm (no 2) (US 10½) needles

1 pair 8mm (no 0) (US 11) needles

### BUTTONS - 5

### TENSION

14 sts and 18 rows to 10 cm / 4 in measured over patt, 16 sts and 18 rows to 10 cm / 4 in measured over rib when pressed, both using 8mm (US 11) needles.



SKILL LEVEL



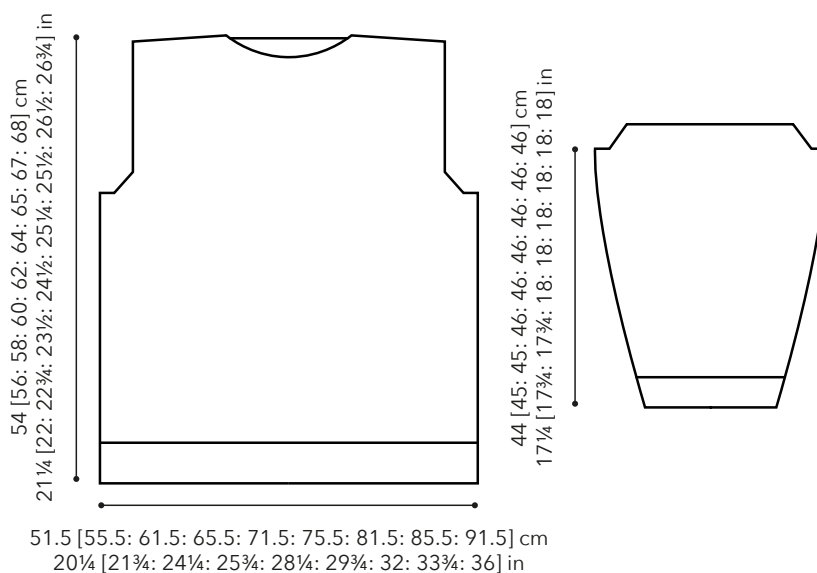
# sadie

DESIGNED BY

*Martin Storey*



*schematic*



## SIZE

To fit bust

71-76	81-86	91-97	102-107	112-117	122-127	132-137	142-147	152-157	cm
28-30	32-34	36-38	40-42	44-46	48-50	52-54	56-58	60-62	in

Actual bust measurement of garment

103	111.5	123	131.5	143	151.5	163	171.5	183	cm
40 1/2	44	48 1/2	51 3/4	56 1/4	59 3/4	64 1/4	67 1/2	72	in

## YARN

**Merino Aria**

9	9	10	11	11	12	12	13	13	x 50gm
---	---	----	----	----	----	----	----	----	--------

(photographed in Snow 47 & Biscuit 48))

## NEEDLES

- 1 pair 6mm (no 4) (US 10) needles
- 1 pair 7mm (no 2) (US 10 1/2) needles

## TENSION

14 sts and 21 rows to 10 cm / 4 in measured over patt using 7mm (US 10 1/2) needles.

Inc 1 st at each end of 5th [5th: 5th: 5th: 3rd: 3rd: 3rd: 3rd: 3rd] and every foll 4th [4th: 4th: 4th: 4th: alt: alt: alt: alt] row to 42 [52: 60: 66: 76: 46: 50: 58: 62] sts, then on every foll 6th [6th: 6th: 6th: -: 4th: 4th: 4th: 4th] row until there are 60 [64: 68: 72: -: 80: 82: 86: 88] sts, taking inc sts into patt.  
Cont straight until sleeve meas 44 [45: 45: 46: 46: 46: 46: 46: 46] cm, ending with RS facing for next row.

### Shape top

Keeping patt correct, cast off 2 sts at beg of next 2 rows. 56 [60: 64: 68: 72: 76: 78: 82: 84] sts.  
Dec 1 st at each end of next and foll 4 alt rows, then on foll row, ending with RS facing for next row.  
Cast off rem 44 [48: 52: 56: 60: 64: 66: 70: 72] sts.

### MAKING UP

Press as described on the information page.

Join right shoulder seam.

### Neckband

With RS facing and using 6mm (US 10) needles, pick up and knit 12 [12: 12: 14: 14: 16: 16: 16: 18] sts down left side of front neck, K across 8 [10: 10: 10: 10: 10: 10: 10: 8] sts on front holder, pick up and knit 12 [12: 12: 14: 14: 16: 16: 16: 18] sts up right side of front neck, and 5 sts down right side of back neck, K across 16 [18: 18: 20: 20: 22: 22: 22: 22] sts on back holder inc 0 [0: 0: 2: 2: 0: 0: 0: 2] sts evenly across, then pick up and knit 5 sts up left side of back neck. 58 [62: 62: 70: 70: 74: 74: 74: 78] sts.  
Beg with row 2, work in rib as given for back for 7 rows, ending with RS facing for next row.  
Cast off in rib.

Join left shoulder and neckband seam. See information page for finishing instructions, setting in sleeves using the shallow set-in method.





SKILL LEVEL



# maisie

DESIGNED BY

*Martin Storey*



## FINISHED SIZE

Completed scarf is 50 cm (19¾ in) wide and 208 cm (82 in) long.

## YARN

**Merino Aria**

10 x 50gm

(photographed in Natural 41)

## NEEDLES

1 pair 7mm (no 2) (US 10½) needles

## TENSION

14 sts and 21 rows to 10 cm / 4 in measured over patt using 7mm (US 10½) needles.

SKILL LEVEL



# callie

DESIGNED BY

*Georgia Farrell*



## FINISHED SIZE

Completed scarf is 19 cm (7½ in) wide and 240 cm (94½ in) long.

## YARN

### Merino Aria and Soft Boucle

A Aria

Bear 42

3 x 50gm

B Boucle

Bear 604

3 x 50gm

## NEEDLES

1 pair 10mm (no 000) (US 15) needles

## TENSION

10½ sts and 13 rows to 10 cm / 4 in measured over rib using 10mm (US 15) needles and one strand each of yarns A and B held together.

SKILL LEVEL



# waldorf

DESIGNED BY

*Lisa Richardson*



## FINISHED SIZE

Completed wrap is 71 cm (28 in) wide and 176 cm (69¼ in) long.

## YARN

### Soft Boucle

A Biscuit 608

4 x 50gm

B Snow 600

4 x 50gm

## NEEDLES

1 pair 6mm (no 4) (US 10) needles

## TENSION

12 sts and 23 rows to 10 cm / 4 in measured over patt using 6mm (US 10) needles.

SKILL LEVEL



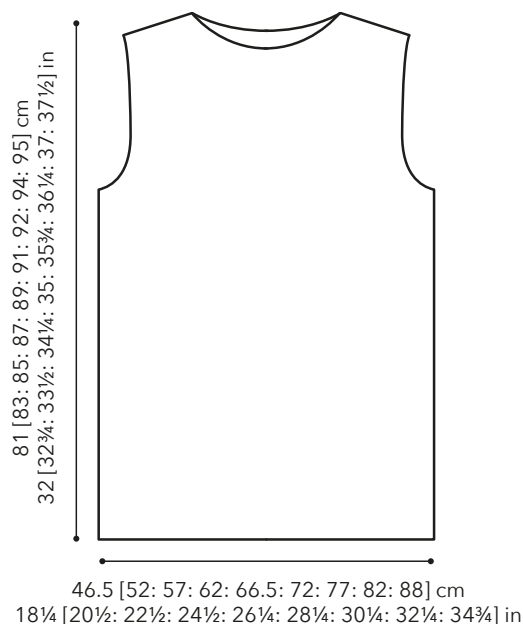
# petra

DESIGNED BY

*Erika Knight*



*schematic*



## SIZE

To fit bust

71-76	81-86	91-97	102-107	112-117	122-127	132-137	142-147	152-157	cm
28-30	32-34	36-38	40-42	44-46	48-50	52-54	56-58	60-62	in

Actual bust measurement of garment

93.5	103.5	114	124.5	133.5	143.5	154	164.5	176.5	cm
36 3/4	40 3/4	45	49	52 1/2	56 1/2	60 3/4	64 3/4	69 1/2	in

## YARN

**Kid Classic**

8	8	9	9	10	10	10	11	11	x 50gm
---	---	---	---	----	----	----	----	----	--------

(photographed in Champagne 898)

## NEEDLES

1 pair 4 1/2mm (no 7) (US 7) needles

1 pair 5mm (no 6) (US 8) needles

Cable needle

## TENSION

27 sts and 32 rows to 10 cm / 4 in measured over patt using 5mm (US 8) needles.

## SPECIAL ABBREVIATIONS

**C4B** = slip next 2 sts onto cable needle and leave at back of work, K2, then K2 from cable needle.

**C4F** = slip next 2 sts onto cable needle and leave at front of work, K2, then K2 from cable needle.



SKILL LEVEL



sia

DESIGNED BY

*Erika Knight*



**FINISHED SIZE**

Completed scarf is 35.5 cm (14 in) wide and 188 cm (74 in) long.

**YARN**

**Kid Classic**

7 x 50gm

(photographed in Champagne 898)

**NEEDLES**

5mm (no 6) (US 8) circular needle at least 120 cm / 48 in long

Cable needle

**TENSION**

27 sts and 32 rows to 10 cm / 4 in measured over patt using 5mm (US 8) needles.

**SPECIAL ABBREVIATIONS**

**C4B** = slip next 2 sts onto cable needle and leave at back of work, K2, then K2 from cable needle;

**C4F** = slip next 2 sts onto cable needle and leave at front of work, K2, then K2 from cable needle.

SKILL LEVEL



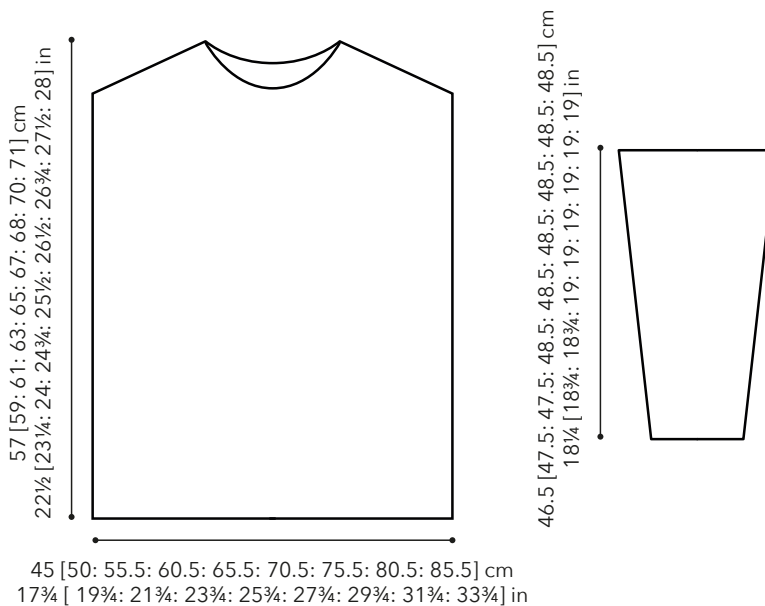
# blair

DESIGNED BY

Quail Studio



schematic



## SIZE

To fit bust

71-76	81-86	91-97	102-107	112-117	122-127	132-137	142-147	152-157	cm
28-30	32-34	36-38	40-42	44-46	48-50	52-54	56-58	60-62	in

Actual bust measurement of garment

90	100	111	121	131	141	151	161	171	cm
35½	39¾	43¾	47¾	51½	55½	59½	63½	67¼	in

## Soft Boucle

6	6	6	7	7	8	8	9	9	x 50gm
---	---	---	---	---	---	---	---	---	--------

(photographed in Natural 41 & Biscuit 48)

## NEEDLES

1 pair 6mm (no 4) (US 10) needles

## TENSION

12.5 sts and 17 rows to 10 cm / 4 in measured over st st using 6mm (US 10) needles.



SKILL LEVEL



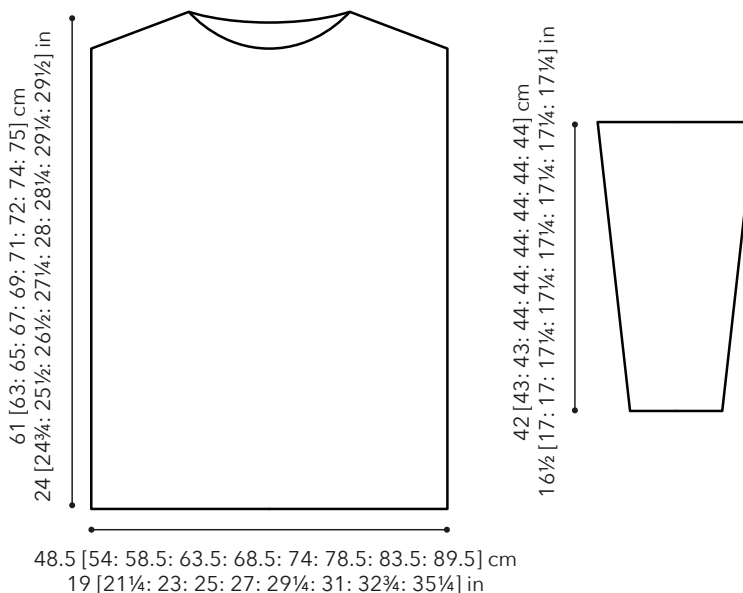
# serena

DESIGNED BY

Quail Studio



schematic



## SIZE

To fit bust

71-76	81-86	91-97	102-107	112-117	122-127	132-137	142-147	152-157	cm
28-30	32-34	36-38	40-42	44-46	48-50	52-54	56-58	60-62	in

Actual bust measurement of garment

97.5	108	116.5	127	137.5	148	156.5	167	179	cm
38½	42½	45¾	50	54¼	58¼	61½	65¾	70½	in

## YARN

### Alpaca Classic

A Snowflake White 115

3	3	3	3	3	4	4	4	4	x 25gm
---	---	---	---	---	---	---	---	---	--------

B Champagne 127

3	3	3	3	3	4	4	4	4	x 25gm
---	---	---	---	---	---	---	---	---	--------

C Cinnamon 118

3	3	3	3	3	4	4	4	4	x 25gm
---	---	---	---	---	---	---	---	---	--------

D Sierra Melange 117

3	3	4	4	4	4	5	5	5	x 25gm
---	---	---	---	---	---	---	---	---	--------

## NEEDLES

1 pair 3¼mm (no 10) (US 3) needles

1 pair 3¾mm (no 9) (US 5) needles

## TENSION

23 sts and 31 rows to 10 cm / 4 in measured over st st using 3¾mm (US 5) needles.

SKILL LEVEL



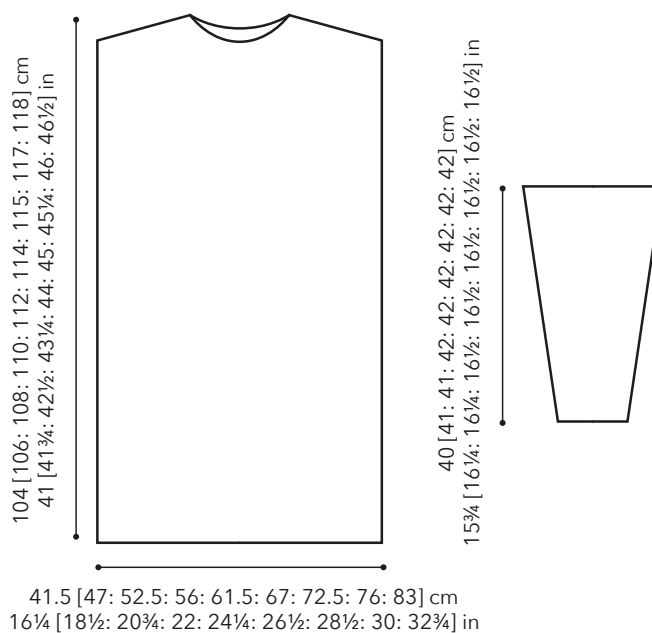
# eleanor

DESIGNED BY

Quail Studio



schematic



## SIZE

To fit bust

71-76	81-86	91-97	102-107	112-117	122-127	132-137	142-147	152-157	cm
28-30	32-34	36-38	40-42	44-46	48-50	52-54	56-58	60-62	in

Actual bust measurement of garment

82.5	93.5	104.5	112	122.5	133.5	144.5	152	166.5	cm
32½	36¾	41¼	44	48¼	52½	57	59¾	65½	in

## YARN

Alpaca Soft DK

13	14	15	17	19	20	21	23	24	x 50gm
----	----	----	----	----	----	----	----	----	--------

(photographed in Toffee 203)

## NEEDLES

1 pair 4mm (no 8) (US 6) needles

## TENSION

22 sts and 32 rows to 10 cm / 4 in measured over patt using 4mm (US 6) needles.

SKILL LEVEL



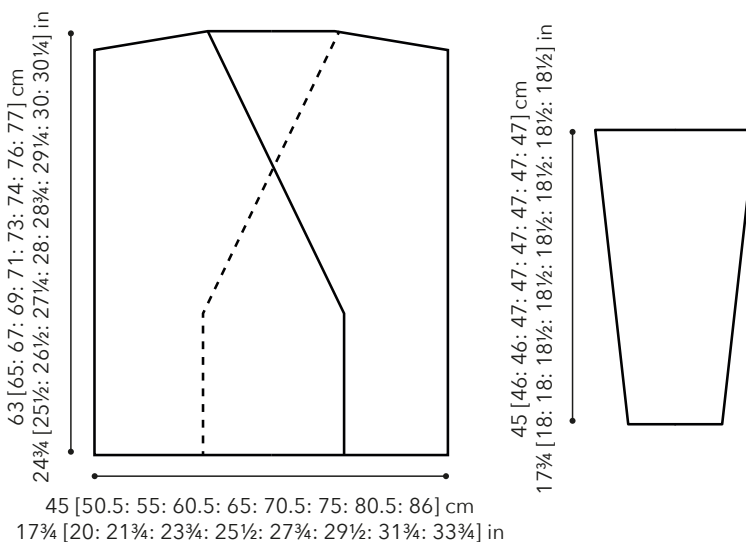
# pipa

DESIGNED BY

Quail Studio



*schematic*



## SIZE

To fit bust

71-76	81-86	91-97	102-107	112-117	122-127	132-137	142-147	152-157	cm
28-30	32-34	36-38	40-42	44-46	48-50	52-54	56-58	60-62	in

Actual bust measurement of garment

90	101	110	121	130	141	150	161	172	cm
35 1/2	39 3/4	43 1/4	47 3/4	51 1/4	55 1/2	59	63 1/2	67 3/4	in

## YARN

Alpaca Soft DK

11	12	13	15	16	17	18	19	19	x 50gm
----	----	----	----	----	----	----	----	----	--------

(photographed in Toffee 203 & Stone 222)

## NEEDLES

1 pair 4mm (no 8) (US 6) needles  
 4mm (no 8) (US 6) circular needle

## EXTRAS

1 D Ring  
 1 Button

## TENSION

22 sts and 32 rows to 10 cm / 4 in measured over patt using 4mm (US 6) needles.

SKILL LEVEL



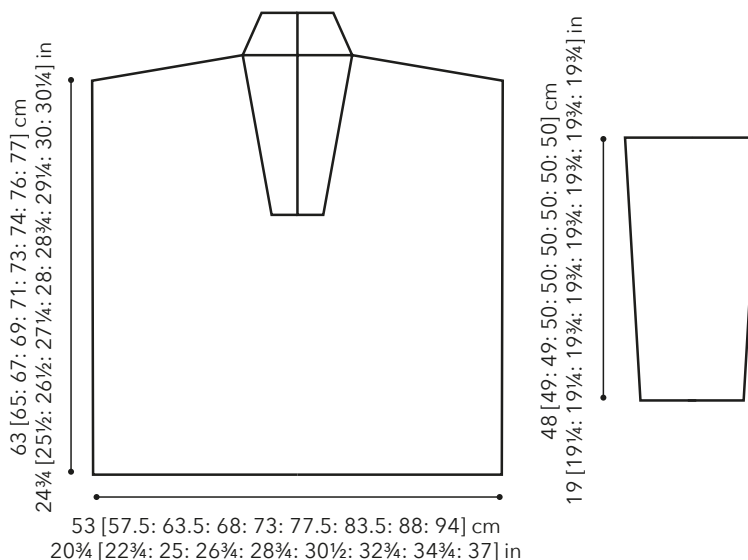
# celine

DESIGNED BY

Quail Studio



schematic



## SIZE

To fit bust

71-76	81-86	91-97	102-107	112-117	122-127	132-137	142-147	152-157	cm
28-30	32-34	36-38	40-42	44-46	48-50	52-54	56-58	60-62	in

Actual bust measurement of garment

105.5	115	126.5	136	145.5	155	166.5	176	187.5	cm
41½	45¼	49¾	53½	57¼	61	65½	69¼	73¾	in

## YARN

Alpaca Classic

19	21	23	25	28	30	33	35	38	x 25gm
----	----	----	----	----	----	----	----	----	--------

(photographed in Sierra Melange 117 & Champagne 127)

## NEEDLES

- 1 pair 4mm (no 8) (US 6) needles
- 1 pair 4½mm (no 7) (US 7) needles

EXTRAS - 30 cm zip

## TENSION

21 sts and 26 rows to 10 cm / 4 in measured over rib using 4½mm (US 7) needles and yarn DOUBLE.

SKILL LEVEL



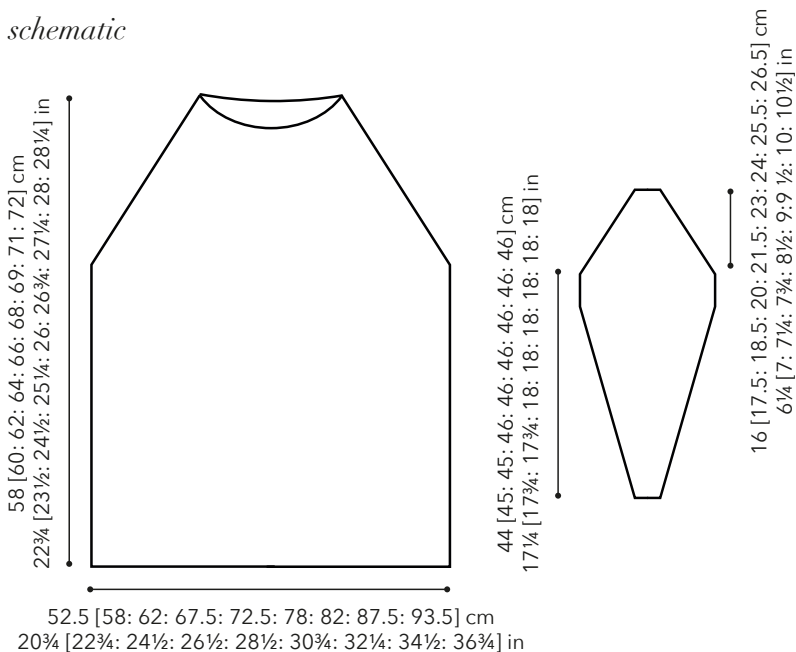
# chlo

DESIGNED BY

Quail Studio



*schematic*



## SIZE

To fit bust

71-76	81-86	91-97	102-107	112-117	122-127	132-137	142-147	152-157	cm
28-30	32-34	36-38	40-42	44-46	48-50	52-54	56-58	60-62	in

Actual bust measurement of garment

105.5	116	124	134.5	145.5	156	164	174.5	187.5	cm
41½	45¾	49	53	57¼	61½	64½	68¾	73¾	in

## YARN

**Kid Classic**

7	7	8	8	9	9	10	10	11	x 50gm
---	---	---	---	---	---	----	----	----	--------

(photographed in Champagne 898)

## NEEDLES

1 pair 4½mm (no 7) (US 7) needles

1 pair 5mm (no 6) (US 8) needles

4½mm (no 7) (US 7) circular needle

## TENSION

19 sts and 25 rows to 10 cm / 4 in measured over st st using 5mm (US 8) needles.

SKILL LEVEL



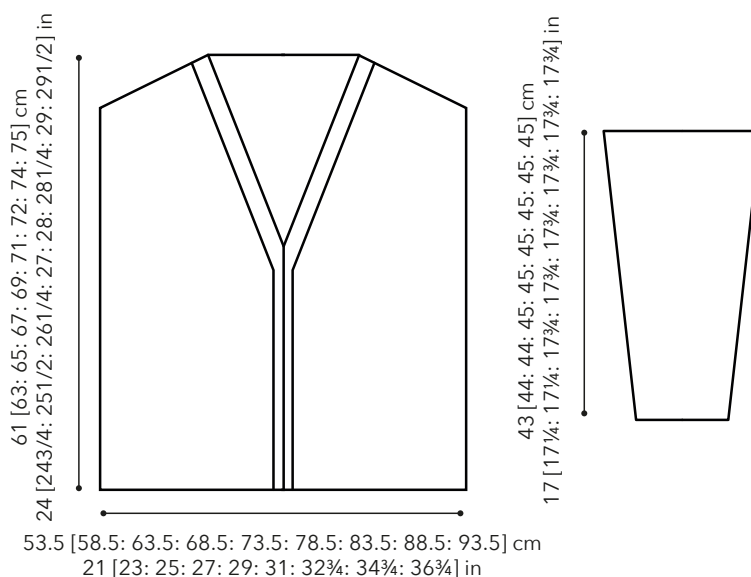
# vera

DESIGNED BY

Quail Studio



schematic



## SIZE

To fit bust

71-76	81-86	91-97	102-107	112-117	122-127	132-137	142-147	152-157	cm
28-30	32-34	36-38	40-42	44-46	48-50	52-54	56-58	60-62	in

Actual bust measurement of garment

106.5	116.5	126.5	136.5	146.5	156.5	166.5	176.5	186.5	cm
42	45 3/4	49 3/4	53 3/4	57 3/4	61 1/2	65 1/2	69 1/2	73 1/2	in

## YARN

Rowan Soft Boucle

7	7	8	8	9	9	10	10	11	x 50gm
---	---	---	---	---	---	----	----	----	--------

(photographed in Natural 602)

## NEEDLES

1 pair 6mm (no 4) (US 10) needles

6mm (no 4) (US 10) circular needle approx 100cm / 40 in in length

## TENSION

12 sts and 20 rows to 10 cm / 4 in measured over rev st st using 6mm (US 10) needles.



SKILL LEVEL



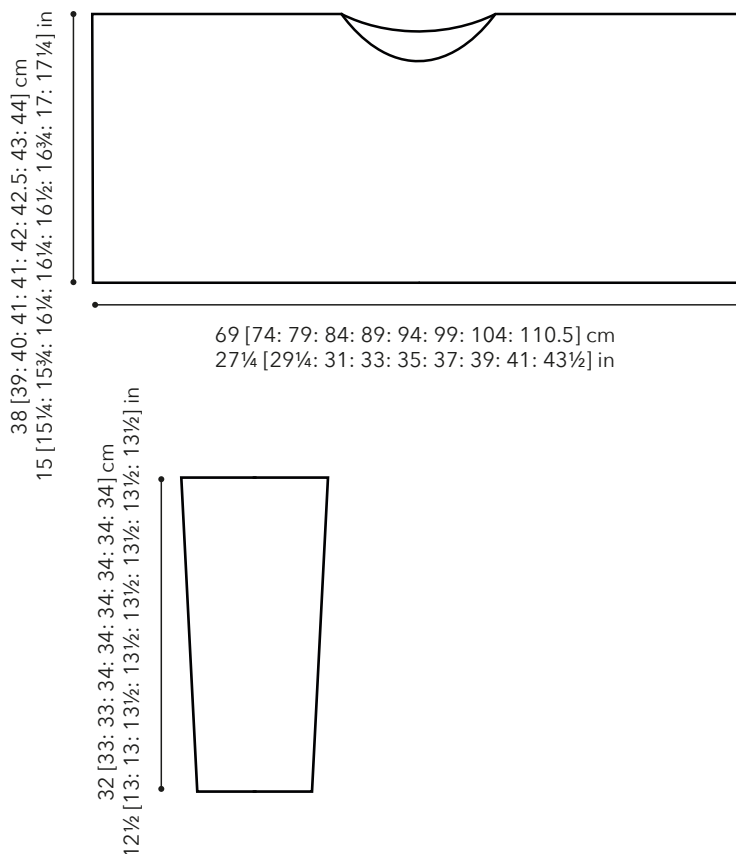
# pi-per

DESIGNED BY

*Annika Andrea Wolke*



*schematic*



**SIZE**

To fit bust

71-76	81-86	91-97	102-107	112-117	122-127	132-137	142-147	152-157	cm
28-30	32-34	36-38	40-42	44-46	48-50	52-54	56-58	60-62	in
Actual bust measurement of garment									
137.5	148.5	157.5	168.5	177.5	188.5	197.5	208.5	221	cm
54¼	58½	62	66¼	70	74¼	77¾	82	87	in

**YARN**

**Kidsilk Haze**

5	5	5	6	6	6	7	7	7	x 25gm
---	---	---	---	---	---	---	---	---	--------

(photographed in Lustre 686 & Cream 634)

**NEEDLES**

- 1 pair 3mm ( no 11) (US 2/3) needles
- 1 pair 3½mm (no 10/9) (US 4) needles

**TENSION**

26 sts and 34 rows to 10 cm / 4 in measured over st st using 3½mm (US 4) needles.

SKILL LEVEL



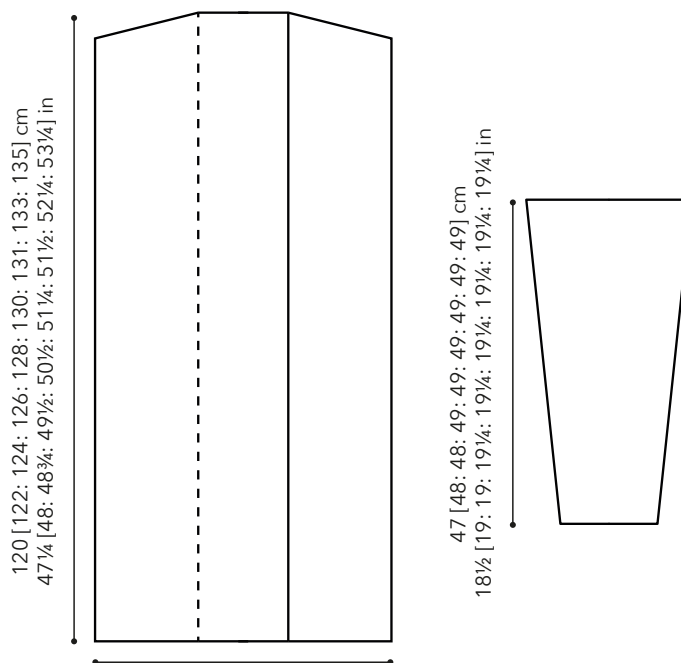
# winter

DESIGNED BY

Quail Studio



schematic



## SIZE

To fit bust

71-76	81-86	91-97	102-107	112-117	122-127	132-137	142-147	152-157	cm
28-30	32-34	36-38	40-42	44-46	48-50	52-54	56-58	60-62	in

Actual bust measurement of garment

111.5	123	131.5	143	151.5	163	171.5	183	194.5	cm
44	48 1/2	51 3/4	56 1/4	59 3/4	64 1/4	67 1/2	72	76 1/2	in

## YARN

Soft Boucle

15	15	16	16	17	17	18	18	19	x 50gm
----	----	----	----	----	----	----	----	----	--------

(photographed in Natural 602 & Bear 604)

## NEEDLES

1 pair 6 1/2mm (no 3) (US 10 1/2) needles

## TENSION

14 sts and 16 rows to 10 cm / 4 in measured over rev st st using 6 1/2mm (US 10 1/2) needles.

SKILL LEVEL



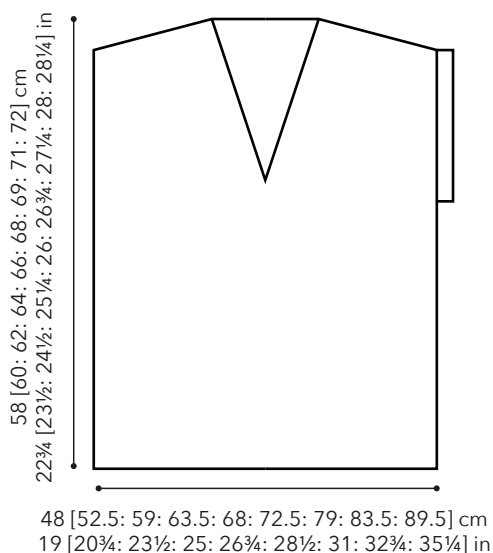
# heidi

DESIGNED BY

Quail Studio



*schematic*



## SIZE

To fit bust

71-76	81-86	91-97	102-107	112-117	122-127	132-137	142-147	152-157	cm
28-30	32-34	36-38	40-42	44-46	48-50	52-54	56-58	60-62	in

Actual bust measurement of garment

96	105	117.5	127	136	145	157.5	167	179	cm
37 3/4	41 1/4	46 1/4	50	53 1/2	57	62	65 3/4	70 1/2	in

## YARN

### Merino Aria and Kidsilk Haze

A Aria | Biscuit 48 & Plush 44

7	8	9	10	11	12	13	14	15	x 50gm
---	---	---	----	----	----	----	----	----	--------

B Haze | Lustre 686 & Liqueur 595

3	3	4	4	5	5	6	6	6	x 25gm
---	---	---	---	---	---	---	---	---	--------

## NEEDLES

1 pair 6 1/2mm (no 3) (US 10 1/2) needles  
Cable needle

## TENSION

13 sts and 20 rows to 10 cm / 4 in measured over rev st st using 6 1/2mm (US 10 1/2) needles and one strand each of yarns A and B held together. Side cable panels (each 18 sts) measure 10 cm / 4 in each, and centre V panel (12 sts) measures 8 cm / 3 in.