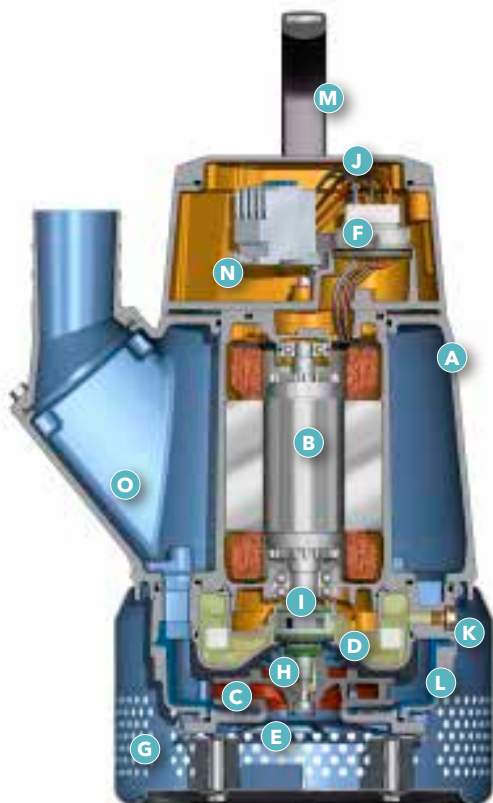


Flygt BIBO 2860

SOME THINGS MAKE A LASTING IMPRESSION

For decades whenever a dewatering challenge seemed too tough or too harsh, the answer has been simple, Flygt BIBO. So how do you improve upon a legend? Simple, we created a new one.

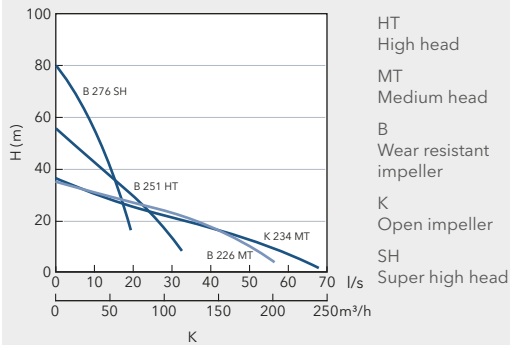
It still has the iconic look; a shape that means stability and robustness. We took our proven hydraulic design and merged it with features that once set the standard in dewatering pumping. For mining, quarrying, construction and tunneling, Flygt BIBO, still a choice you never regret.



- A Air valve**
The cooler the motor, the better the performance.
- B Class H motor**
- C Dura-Spin™**
The unique closed impeller and the suction cover which reduces wear.
- D Spin-Out™**
Protects the outer seal from abrasive particles.
- E Hard-Iron™ impeller and suction cover.**
- F Sealed off terminal board**
- G Strainer bottom with shock absorbers**
- H Single impeller-adjustment screw**
- I Plug-in™ seal with aluminum housing**
- J Inspection cover**
- K External inspection and oil plugs**
- L PolyLife™ coated wear parts**
- M Handle with adjustable height**
- N Less risk of cable damage with a protected cable entry**
- O Wide base and low discharge**



Performance



Rating

10 kW / 3-phase / 2,880 rpm

Voltage V	Rated current A	Starting current A
220 D	34	195
230 D	33	205
240 D	34	215
380 D	20	124
400 D	21	132
415 D	18	111
440 D	18	119
500 D	15	94
525 D	14	80
550 D	14	84
660 Y	12	72
690 Y	12	76
1000 Y	8	51

Denomination

Product code	2860.180
Installation	Portable
Discharge connection	3"/4"/6"
Impeller characteristics	High head/medium head (HT/MT) Wear resistant impeller (B) with Dura-Spin™, Open impeller (K), Super high head (SH)

Process data

Liquid temperature	40°C (standard)
Depth of immersion	max 20 m
Liquid density	max 1100 kg/m ³
Strainer hole dimension	ø 10.0 mm
The pH of the pumped liquid	pH 5-8

Motor data

Frequency	50 Hz
Insulation class	H, 180°C
Voltage variation	max ± 10% - continuously running max ± 10% - intermittent running
Voltage imbalance	max 2% - between phases max 30 - No. of starts/hour

Monitoring equipment

Thermal contacts	140°C opening temperature
------------------	---------------------------

Cables

SUBCAB®	SUBCAB® Submersible cable
---------	---------------------------

Materials

Outer casing	Aluminium
Impeller	Hard-Iron®
Wear parts	PolyLife/Nitrile rubber/Hard-Iron®
Stator housing	Aluminum
Strainer	Stainless steel
Shaft	Stainless steel
O-rings	Nitrile rubber
Discharge connection	Aluminium

Mechanical face seals

Inner Active Seal™	Aluminium oxide/Tungsten carbide
Outer	Tungsten carbide/Tungsten carbide

Weight and dimensions

Weight (excl. cable)	91 Kg
Height	889 mm
Width	ø 425 mm

Options

Warm liquid version	Warm liquid version max 70°C
---------------------	------------------------------

Quick couplings

Starters

Softstarter

Accessories

Tandem connections, hose connections. Electrical accessories such as pump controllers, control panels and monitoring relays. Zinc anodes.

xylem
Let's Solve Water

XYLEM
Gesällvägen 33
174 87 Sundbyberg, Sweden
Tel +46 8 475 60 00
www.xylem.com
www.flygt.com