

Technical Data Sheet

WPI- SDC

Irrigation turbine water meter with super dry dial

CE EN 14154

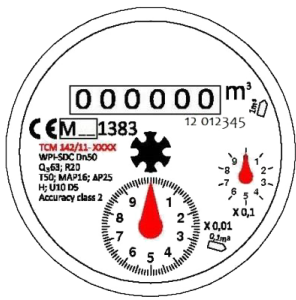


The **VuAqua WPI-SDC** is a paddle wheel mechanical water meter with dry type dial counter suitable for irrigation and agricultural applications available in sizes DN50(2") to DN300 (12").

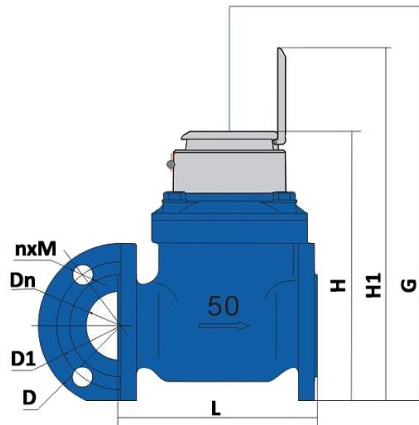
Key Features

- Paddle wheel meter type (Undershot design)
- Suitable for sandy or dirty irrigation water
- Approved: EN14154:2005+A1,OIML R-49: 2006(E)
- Dry dial (frost resistant)
- Meter body material is epoxy coated iron
- Pulse Output option: Vmax=24AC/DC, Imax=0.01A
- Replaceable mechanism, simply leave body in line
- DIN flanged connections
- Maximum pressure of 16 bar
- Maximum temperature of 50°C
- A coarse strainer is required
- Security/tamper evident wire lock & seal

Dimensions



Dial plate design



Standard flange under ISO 7005-2:1998(E) PN16

Size	DN50	DN65	DN80	DN100	DN125	DN150	DN200	DN250	DN300
L	200	200	225	250	250	300	350	450	500
H	252	262	279.5	289.5	303	332.5	389	442.5	498.5
H1	338	348	365.5	375.5	389	418.5	475	528.5	584.5
D	165	185	200	220	250	285	340	405	460
D1	125	145	160	180	210	240	295	355	410
nxM	4xM16		8xM16			8xM20	12xM20	12xM24	

Additional flange selection under ISO 7005-2:1998(E) PN10, ASME B16.1-Class 125 working for B16.5-Class 150

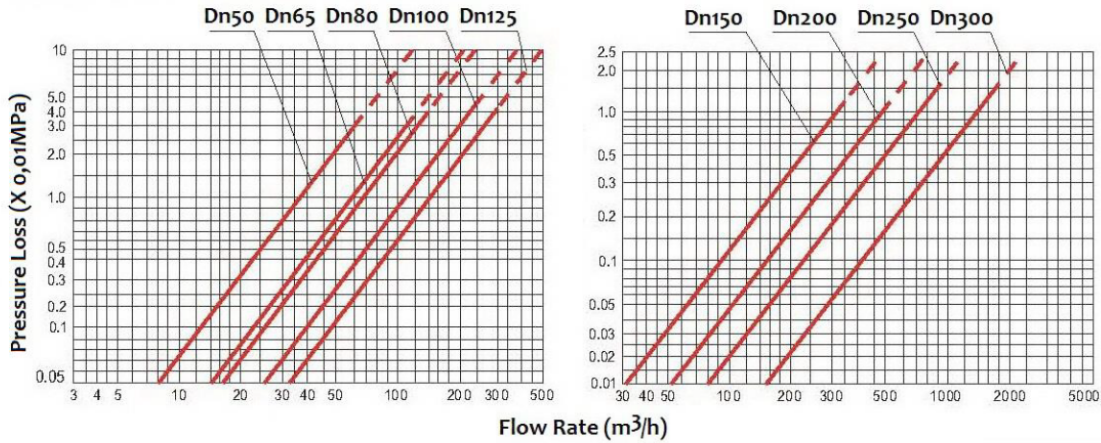
Technical Data

Size	DN	DN50	DN65	DN80	DN100	DN125	DN150	DN200	DN250	DN300
R	Q3/Q1	40								
Q4	m ³ /h	78.75	78.75	125	200	312.5	500	787.5	1250	2000
Q3	m ³ /h	63	63	100	160	250	400	630	1000	1600
Q2	m ³ /h	2.52	2.52	4.00	6.4	10	16	25.2	40	64
Q1	m ³ /h	1.57	1.57	2.5	4.00	6.25	10	15.7	25	40
Max. Reading	m ³	999999.99						9999999.9		
Min. Reading	Litre	0.0001						0.01		
Press Loss Class	ΔP	25	10	10	10	10	10	10	10	10
Max. Pressure	Bar	16								
Max. Temperature	°C	30								

Copper Can design:

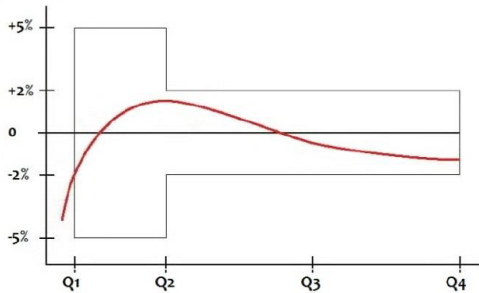


Pressure Loss Curve



Max. Permissible Error

From Q1 inclusive up to but excluding Q2 is $\pm 5\%$
 From Q2 inclusive up to and including Q4 is $\pm 2\%$



Distributed by:

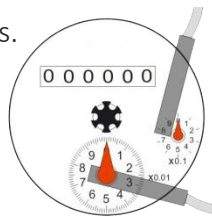
Pulse Output

Pulse output option available on all sizes.

Pulse Output Capacity (m³/pulse):

DN50 to DN150: 0.1 or 1

DN200 to DN300: 1 or 10



Meet the **VuAqua** family