



**L BAND DC Block & Inserter**

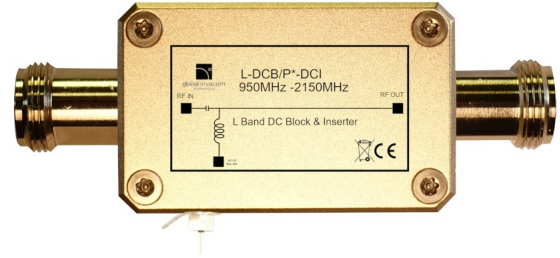
**L-DCB/PN-DCI**

**Description**

The Global Professional L BAND DC Block & Inserter has been designed to block any incoming DC on the input and to insert any voltage upto 48V@ Max 5amp.

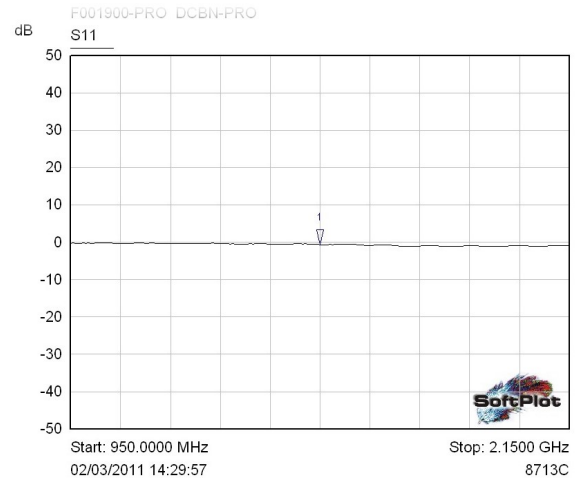
The unit has negligible L band through Loss.

DC is injected via the filtered solder Connector.



**Specifications**

Frequency Pass	950MHz - 2150MHz
L Band Through Loss 950 -2150MHz	>1dB
DC Voltage Insertion	48V Max
DC Current	5A Max
Connectors	See Table Below
Dimensions	56mm x 35mm x 26mm
Mounting Dimensions	47mm x 26mm
Weight	100 grams
RoSH/WEEE Compliant	YES

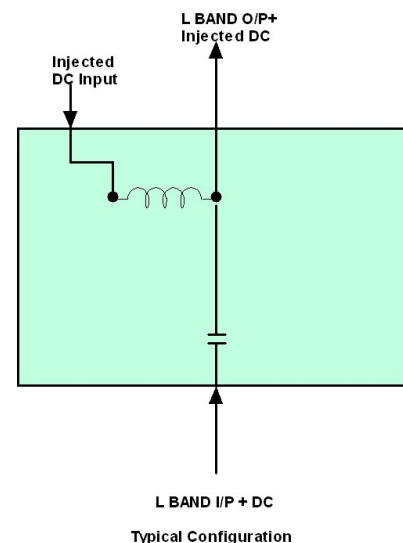


Mkr	Trace	X-Axis	Value	Notes
1	S11	1.5500 GHz	-0.59 dB	

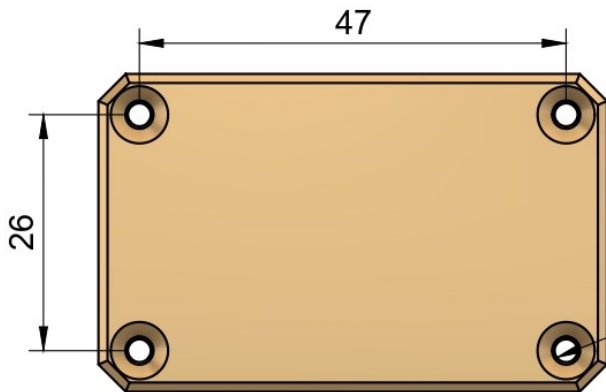
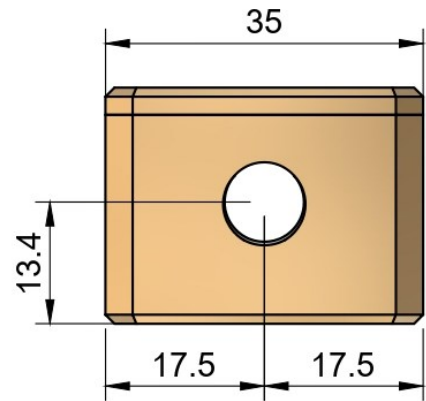
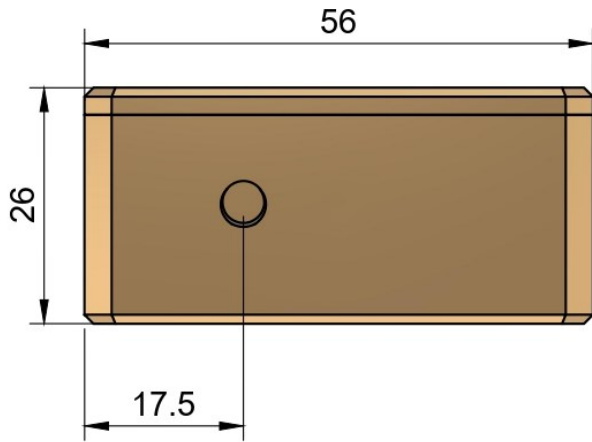
L Band

**\* Denotes Connector Type Available**

'N'	'N'	50 Ω	Female
'S'	'SMA'	50 Ω	Female
'F'	'F'	75 Ω	Female
'B'	'BNC'	50 Ω	Female
'Z'	'BNC'	75 Ω	Female
'T'	'TNC'	50 Ω	Female



## LINE AMPLIFIER UNIT HOUSING DIMENSIONS



4x LID SCREW HOLES  
DRILLED THOROUGH  
& TAPPED M3x0.5mm  
TO 10mm DEPTH FOR  
MOUNTING UNIT

