



**GPS 8 WAY PASSIVE SPLITTER**

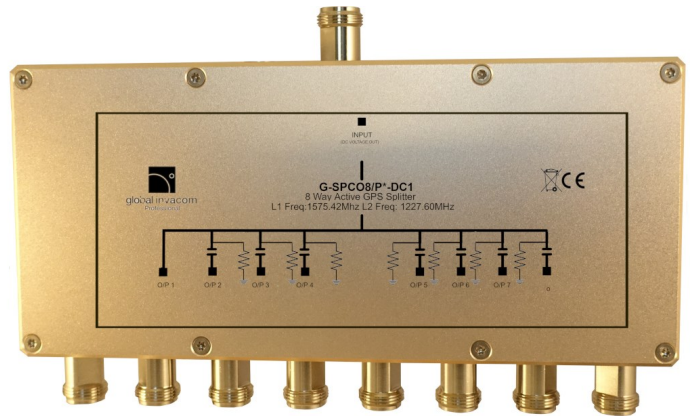
**G-SPCO8/PN-DC1**

**Description**

The Global Professional GPS PASSIVE 8 way Splitter has been designed to allow the signal from a GPS antenna to be shared between eight receivers.

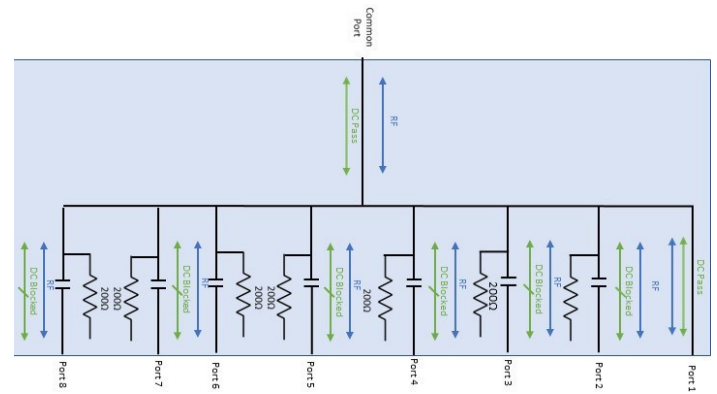
The unit is configured to pass DC from port one receiver through to the antenna port. The remaining ports incorporate a 200 Ohm DC load to simulate an antenna dc current draw.

As a passive product the unit can be used as a combiner if required.



**Specifications**

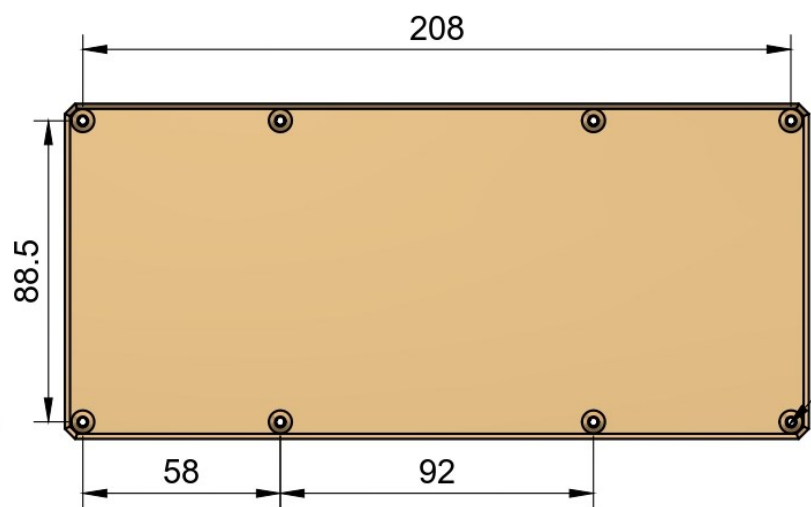
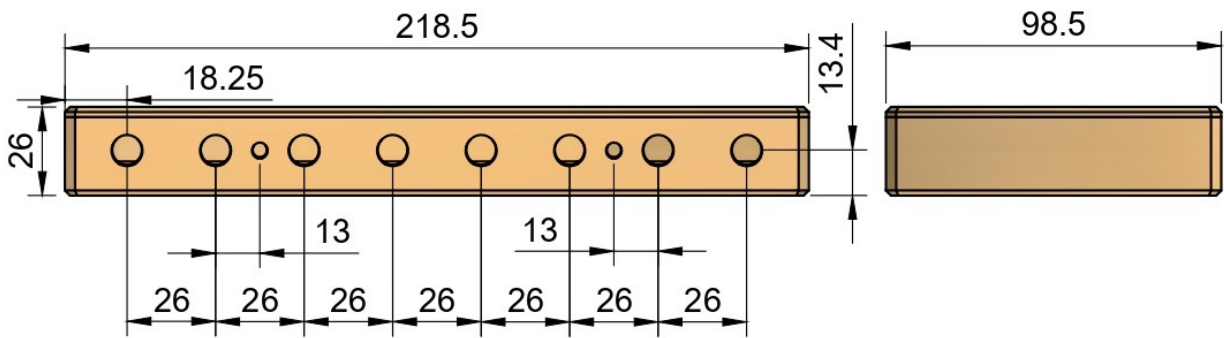
Frequency Pass	L1 1575.42MHz L2 1227.60 MHz
Port to port isolation	>20dB
Through Loss	11dB
DC Passing	Port 1 Only
Connectors	'N' type as standard 50 Ohm
Dimensions	223mm x 98.5mm x 26mm
Mounting Dimensions	212.5mm x 88.5mm
Weight	1200 grams
RoSH/WEEE Compliant	YES



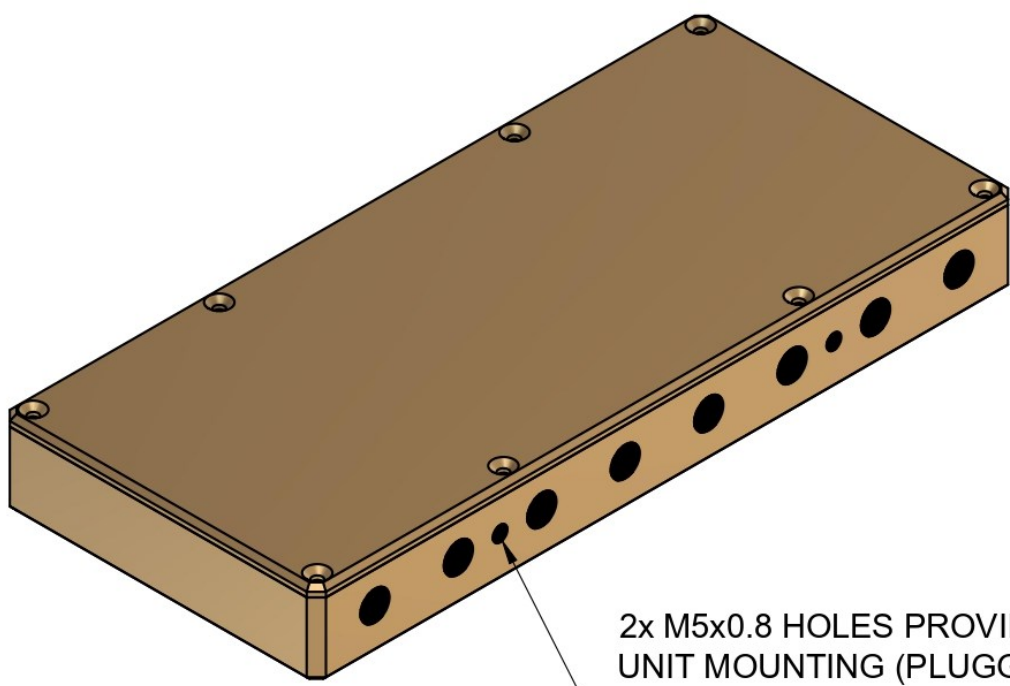
**\* Denotes Connector Type Available**

'N'	'N'	50 Ω	Female
'S'	'SMA'	50 Ω	Female
'F'	'F'	75 Ω	Female
'B'	'BNC'	50 Ω	Female
'Z'	'BNC'	75 Ω	Female
'T'	'TNC'	50 Ω	Female

# 8 WAY UNIT HOUSING DIMENSIONS



8x LID SCREW HOLES  
DRILLED THROUGH  
& TAPPED M3x0.5mm  
TO 10MM DEPTH FOR  
MOUNTING UNIT



2x M5x0.8 HOLES PROVIDED FOR  
UNIT MOUNTING (PLUGGED WITH  
GRUB SCREWS AS STD)