

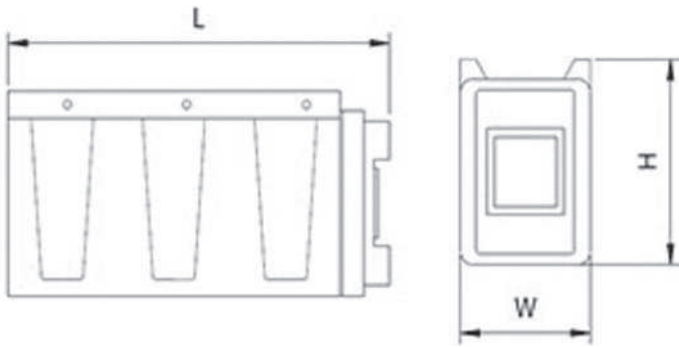
**SAFETY
EQUIPMENT**

**SPILL
KIT**

ADR

GREEN TOP LOADING SPILL KIT BOX

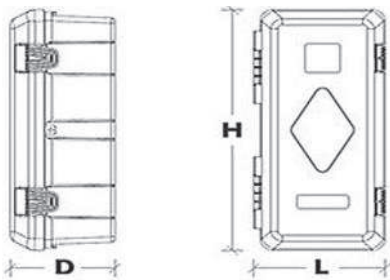
Green Spill Kit box - Heavy Duty Polypropylene resin - Rotational moulding - Moulded in fixing points - Water Resistant Seal



Code	Dimensions mm			Weight kg
	L	H	D	
BJB25S	735	290	250	2.87

FRONT LOADING SPILL KIT BOX

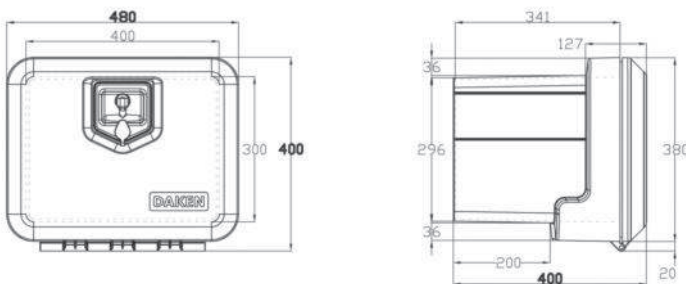
Front Loading Black Spill Kit box - Polypropylene resin using injection moulding - Durable No distortion - Water Resistant Seal



Code	Dimensions mm			Weight kg
	L	H	D	
V6510S	310	675	250	2.87
V6510S-NW	310	611	250 (No Window)	2.87

UNDERBODY SPILL KIT BOX

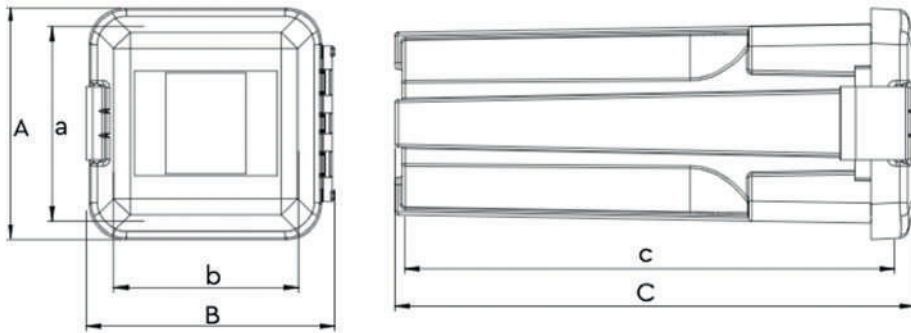
UnderbodyBlack Spill Kit box - 39 Litre capacity - Europlex Lock - Water Resistant Seal Polypropylene resin using injection moulding



Code	Dimensions mm			Weight kg
	L	W	D	
81002S	480	400	400	6.0

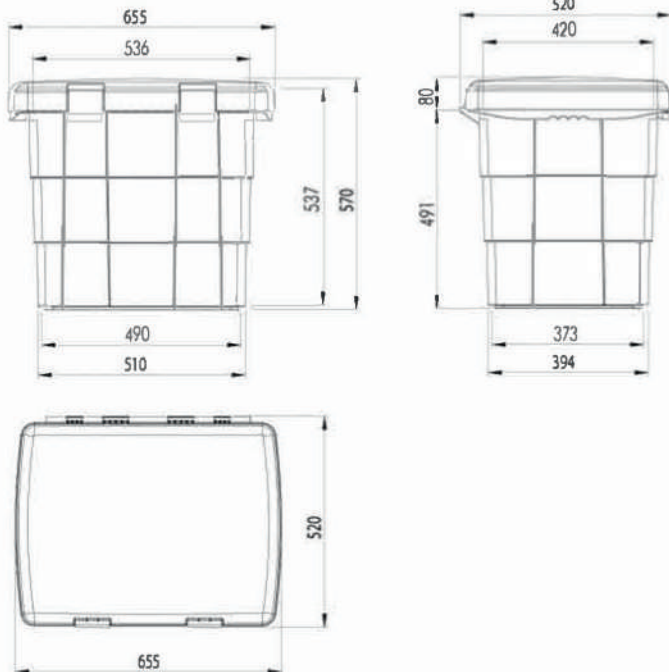
BLACK TOP LOADING SPILL KIT BOX

Black Spill Kit Box - Injection moulded Polypropylene - Waterproof TUV Certification



Code	Dimensions mm			Weight kg
	L	H	D	
82411	265	284	595	2.1
824211	309	324	750	3.2

GRIT / SAND BOXES

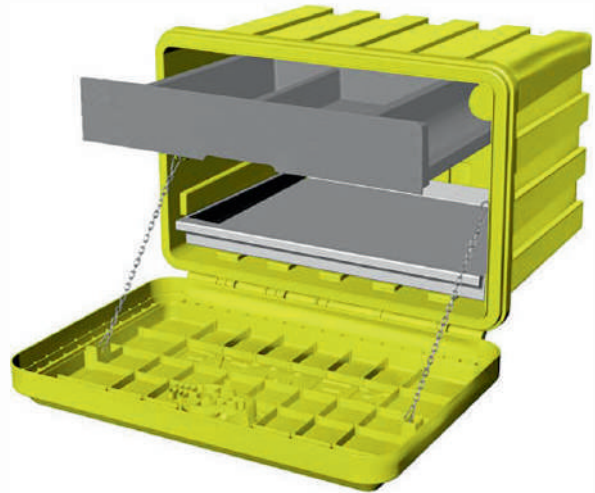


Code	Colour	Dimensions mm			Weight kg
		L	H	D	
86004	Black	655	520	570	6.3
86014	Red	655	520	570	6.3
86024	Yellow	655	520	570	6.3
86034	Green	655	520	570	6.3

*Optional cylinder lock

BAWER PLASTIC SPILL KIT BOX

Bawer Plastic Spill Kit Box including seal, pull out drawer, stop lid chain and pull out tray for collecting liquids. Yellow in colour but also available in black, red or green on demand.



Code	Dimensions			Weight kg	Load Capacity
	L	H	D		
E0 151 SPILL	500	365	400	3.9	BOTTLE HOLDER

BAWER PLASTIC SAND AND SALT BOX

Bawer Plastic Sand and Salt Box with seal. Red in colour but also available in black, yellow or green on demand.



Code	Dimensions			Weight kg	Load Capacity	Handles
	L	H	D			
E0 200 - SAND	600	460	425	4.8	45	1
E0 250 - SAND	800	460	500	7.3	50	2

OIL & CHEMICAL SPILL KITS

Oil or Chemical Spill Kits - Kits can be configured to Specific Requirements



50 Litre SPILL KIT

EXAMPLE: 46 - 56 Litres Absorbancy
Contents

25 x	Pads	40 x 52cm
4 x	Socks	125 x 7.5cm
1 x	Cushions	55 x 35 x 10cm
1 x	Dammit Slab	
1 x	Gloves	
1 x	Goggles	
1 x	Disposable bag and tie	

30 Litre SPILL KIT

EXAMPLE: 29 - 35 Litres Absorbancy
Contents

20 x	Pads	40 x 52cm
3 x	Socks	125 x 7.5cm
1 x	Cushions	55 x 35 x 10cm
1 x	Dammit Slab	
1 x	Gloves	
1 x	Goggles	
1 x	Disposable bag and tie	

ADR BAGS

A.D.R. Bags for storing Safety Equipment in the Cab



Code

Dimensions mm

L H D

BC95090

470 x 475 x 250

Code

Dimensions mm

L H D

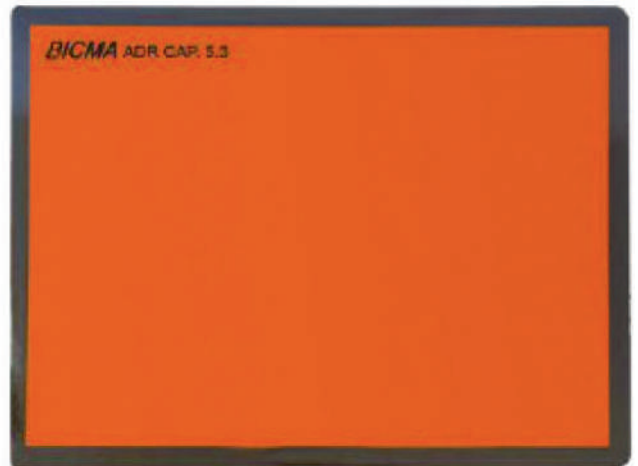
BC95088

450 x 400 x 195

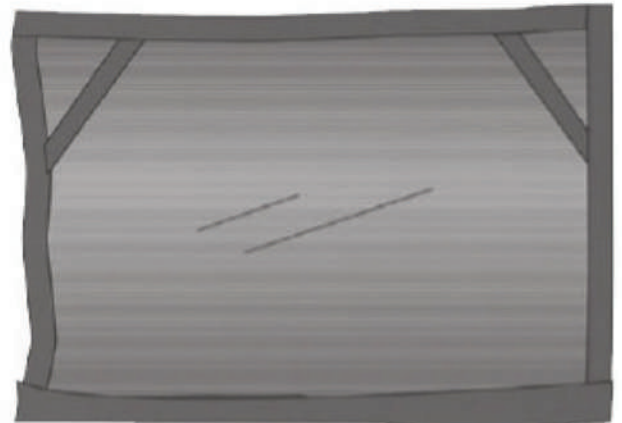
DANGEROUS LOAD NEUTRAL PANELS

Standard and Folding Neutral Panels for Dangerous Load Transport (A.D.R.)
Aluminium, Stainless Steel and Zinc Plated

Code	Material	Dimensions mm		
		L	H	D
BC91201	Stainless Steel	400	300	0.8
BC91203	Zinc Plated	423	423	0.8

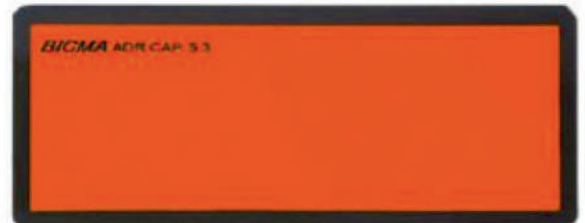


Code	Material	Dimensions mm	
		L	H
BC91054	Black Panel Cover	400	300



Code	Material	Dimensions mm		
		L	H	D
BC91210	Aluminium	300	120	1.0
BC91216	Aluminium (Folding)	300	120	2.0

BC91210



BC91216



Code	Material	Dimensions mm		
		L	H	D
BC91208	Aluminium (Vertical Folding)	400	300	1.0
BC91212	Aluminium (Vertical Folding)	400	300	2.0
BC91219	Stainless Steel (Vertical Folding)	400	300	0.8
BC91221	Zinc Plated (Vertical Folding)	400	300	0.8



DANGEROUS LOAD NEUTRAL PANELS

Standard and Folding Neutral Panels for Dangerous Load Transport (A.D.R.)
Aluminium, Stainless Steel and Zinc Plated

HORIZONTAL FOLDING

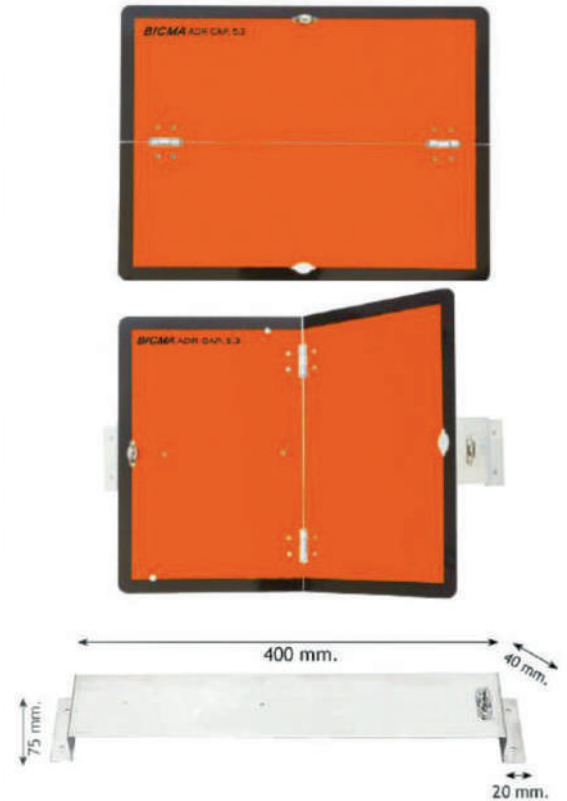
Code	Material	Dimensions mm		
		L	H	D
BC91209	Aluminium (Horizontal Folding)	400	x 300	x 1.0
BC91211	Aluminium (Horizontal Folding)	400	x 300	x 2.0
BC91222	Zinc Plated (Horizontal Folding)	400	x 300	x 0.8
BC91223	Stainless Steel (Horizontal Folding)	400	x 300	x 0.8

VERTICAL FOLDING

Code	Material	Dimensions mm		
		L	H	D
BC91207	Aluminium with Bracket	400	x 300	x 1.0

BRACKET FOR FOLDING PANELS

Code	Material	Dimensions mm	
		L	D
BC91240	Bracket with Fixing Bolts	400	x 75



DANGEROUS LOAD PANELS WITH RUBBER PROTECTION

Verical Folding Panels for Dangerous Load Transport (A.D.R.)
Aluminium, Stainless Steel and Zinc Plated

Code	Material	Dimensions mm		
		L	H	D
BC91217	Aluminium (Vertical Folding)	400	x 300	x 1.0
BC91218	Stainless Steel (Vertical Folding)	400	x 300	x 0.8
BC91220	Zinc Plated (Vertical Folding)	400	x 300	x 0.8

Code	Material	Dimensions mm		
		L	H	D
BC92055	Zinc Plated (Vertical Folding)	400	x 300	x 0.8

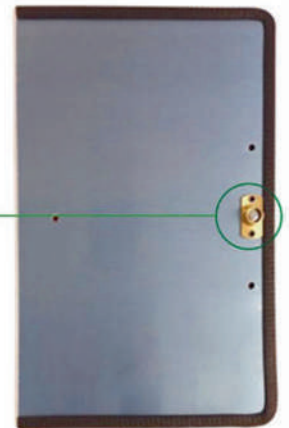
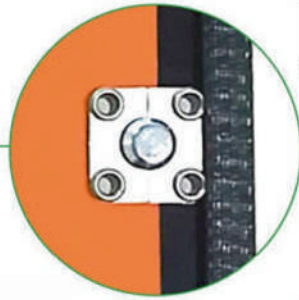


A.D.R. HOLDING PANELS

A.D.R. Vertical Folding Panel - Aluminium - Rubber Protection Border - Closing System



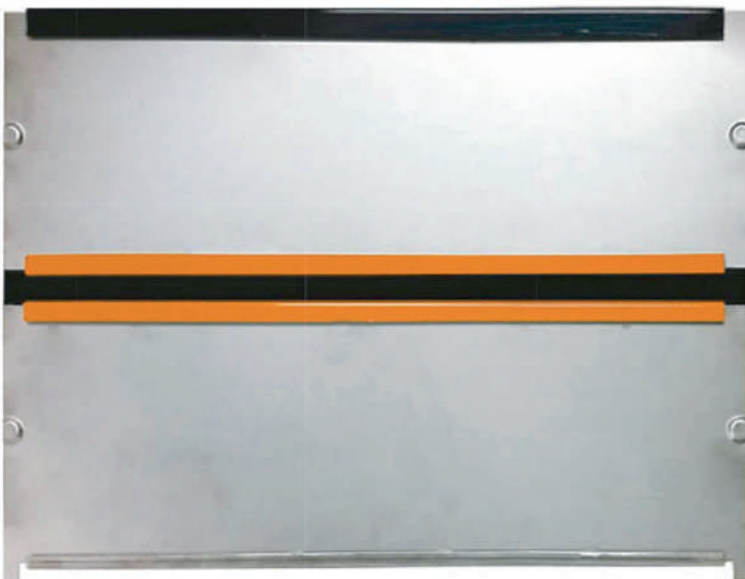
A.D.R. aluminium neutral vertical folding plate with rounded corners, rubber protection and special closing system according with WVTA, with 3 holes by $\varnothing.5$ mm



Code	Material	Dimensions mm		
		L	H	D
BC90326	Aluminium	400	x 300	x 1.0

A.D.R. HOLDING PANELS

A.D.R. Double Holding Panel - Stainless Steel - Suitable for 94 x 134mm numbers



Suitable for 94 x 134mm numbers

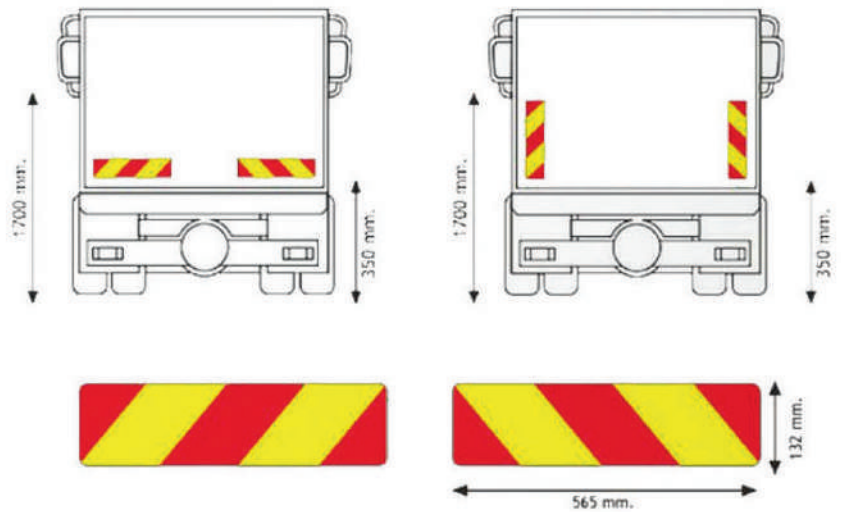
Code	Material	Dimensions mm		
		L	H	D
BC90326	Aluminium	300	x 400	x 1.0

2 PIECE REAR REFLECTIVE & FLUORESCENT PANELS

Rear Reflecting and Fluorescent panels for trucks conforming to ECE 70.01 regulations

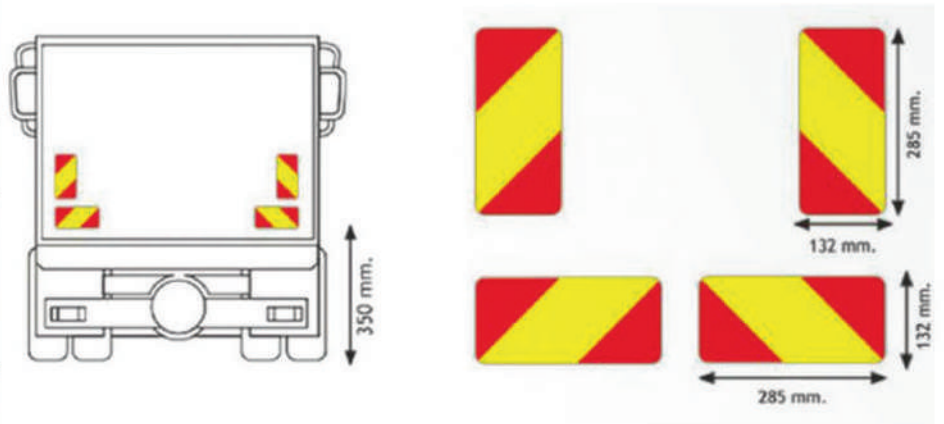
High intensity reflective, micro-prismatic yellow foil - 2-300% brighter than traditional class 2 films

Reflecting/Reflecting Aluminium	
BC90151	0.8mm
BC90154	1.0
BC90095	1.2
BC90157	2.0
Reflecting/Reflecting Self Adhesive	
BC99204	
Reflecting/Fluorescent Aluminium	
BC90160	0.8mm
BC90163	1.0
BC90094	1.2
BC90168	2.0
Reflecting/Fluorescent Self Adhesive	
BC99207	



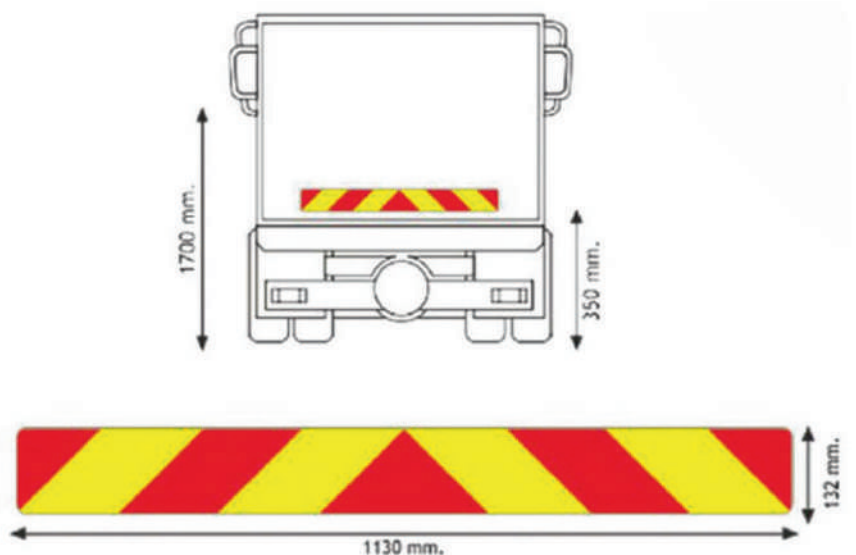
4 PIECE REAR REFLECTIVE & FLUORESCENT PANELS

Reflecting/Reflecting Aluminium	
BC90152	0.8mm
BC90155	1.0
BC90086	1.2
BC90158	2.0
Reflecting/Reflecting Self Adhesive	
BC99205	
Reflecting/Fluorescent Aluminium	
BC90161	0.8mm
BC90164	1.0
BC90166	1.2
BC90169	2.0
Reflecting/Fluorescent Self Adhesive	
BC99208	



1 PIECE REAR REFLECTIVE & FLUORESCENT PANELS

Reflecting/Reflecting Aluminium	
BC90156	1.0
BC90088	1.2
BC90159	2.0
Reflecting/Reflecting Self Adhesive	
BC99206	
Reflecting/Fluorescent Aluminium	
BC90165	1.0
BC90167	1.2
BC90170	2.0
Reflecting/Fluorescent Self Adhesive	
BC99209	



2 PIECE REAR REFLECTIVE & FLUORESCENT PANELS

Rear Reflecting and Fluorescent panels for trailers conforming to ECE 70.01 regulations
High intensity reflective, micro-prismatic yellow foil - 2-300% brighter than traditional class 2 films

Reflecting/Reflecting Aluminium

BC90171	0.8mm
BC90174	1.0
BC90096	1.2
BC90177	2.0

Reflecting/Reflecting Self Adhesive

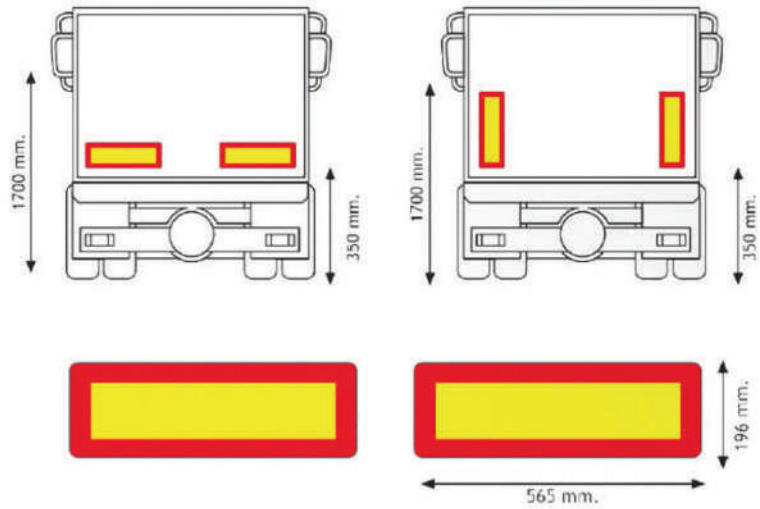
BC99214

Reflecting/Fluorescent Aluminium

BC90180	0.8
BC90183	1.0
BC90093	1.2
BC90188	2.0

Reflecting/Fluorescent Self Adhesive

BC99217



4 PIECE REAR REFLECTIVE & FLUORESCENT PANELS

Reflecting/Reflecting Aluminium

BC90172	0.8mm
BC90175	1.0
BC90090	1.2
BC90178	2.0

Reflecting/Reflecting Self Adhesive

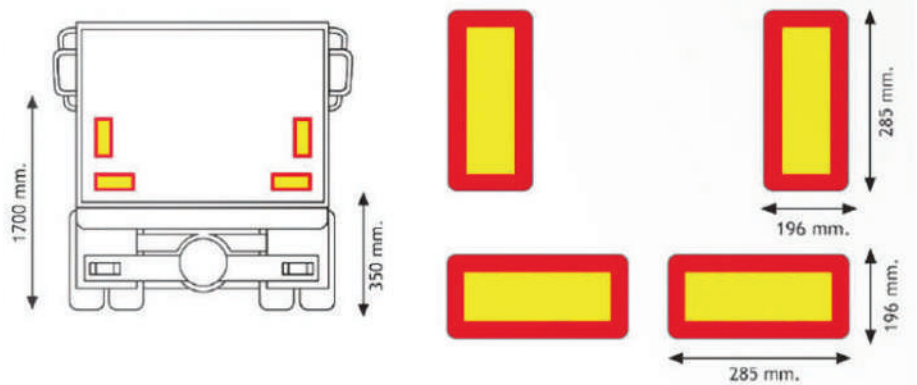
BC99215

Reflecting/Fluorescent Aluminium

BC90181	0.8mm
BC90184	1.0
BC90186	1.2
BC90189	2.0

Reflecting/Fluorescent Self Adhesive

BC99218



1 PIECE REAR REFLECTIVE & FLUORESCENT PANELS

Reflecting/Reflecting Aluminium

BC90176	1.0
BC90092	1.2
BC90179	2.0

Reflecting/Reflecting Self Adhesive

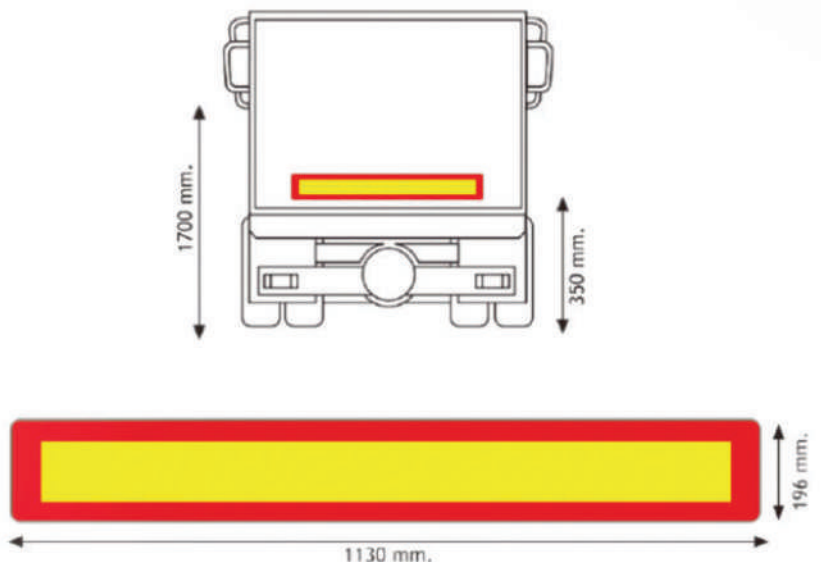
BC99216

Reflecting/Fluorescent Aluminium

BC90185	1.0
BC90187	1.2
BC90190	2.0

Reflecting/Fluorescent Self Adhesive

BC99219



REAR REFLECTING AGRICULTURAL PANELS

Rear Reflecting and Fluorescent Agricultural Panels Zinc Coated - Single layer non-peel reflective film - Conforming to DIN 11030 Class 1 Film

Code	Side	Dimensions mm	
		L	H
BC90011	Lefthand	423	423
BC90012	Righthand	423	423



Code	Side	Dimensions mm	
		L	H
BC90022	Righthand	423	423
BC90023	Lefthand	423	423



Code	Side	Dimensions mm	
		L	H
BC90001	Righthand	423	423
BC90002	Lefthand	423	423



Code	Side	Dimensions mm	
		L	H
BC90031	2 Panel Kit	564	282

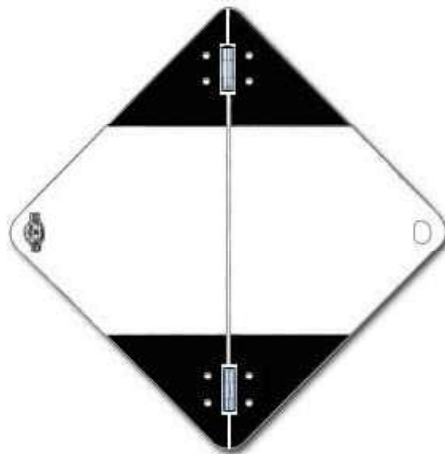


FOLDING ALUMINIUM WARNING/DANGER SIGNS

Folding aluminium warning and danger signs that conform with ADR Regulations for vehicles



99842
99807



99839
99886



99549
92344



97000 - ADR vertical-folding plate holder system,
with 300x300 mm panels
Classes 3-6.1-8-9-
Dangerous substances for the environment



97006 - ADR vertical-folding plate holder system,
with 300x300 mm panels
Classes Fish with tree 8-6.1-6.2
2-9 generic danger-9 bitumen

Code	Material	Dimensions (mm)			
		W	L		
99842	Aluminium	250	x	250	
99807	Aluminium	300	x	300	
99839	Aluminium	250	x	250	
99886	Aluminium	300	x	300	
99549	Aluminium	250	x	250	
92344	Aluminium	300	x	300	
97000	Aluminium	300	x	300	5 POS
97006	Aluminium	300	x	300	7 POS