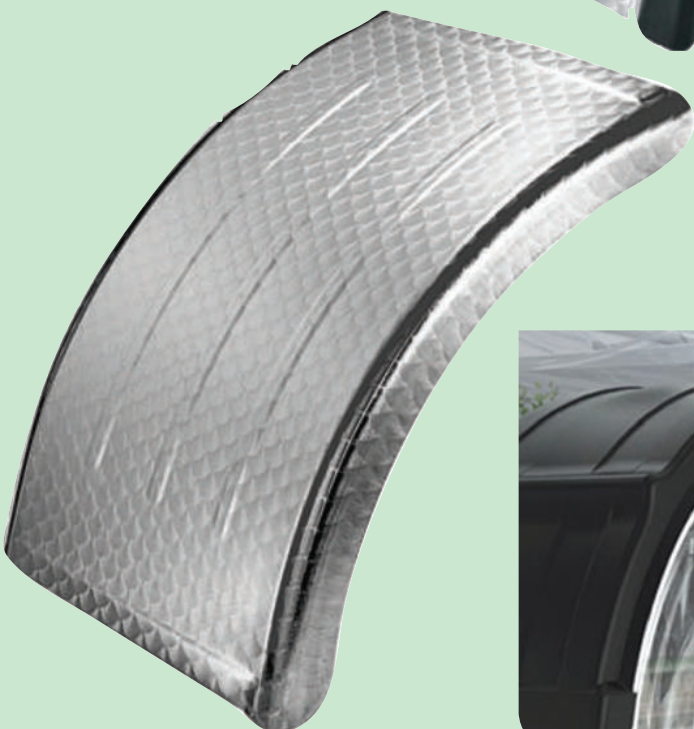
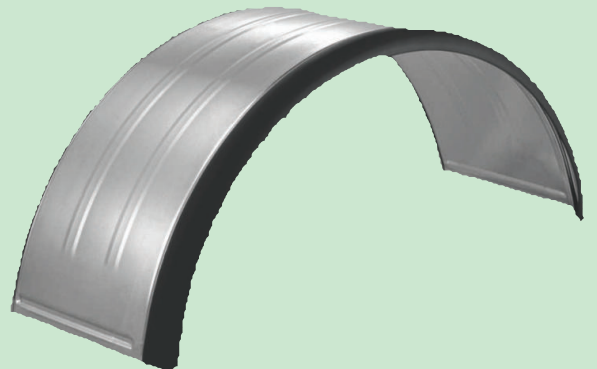


DOMAR MUDGUARDS & BRACKETRY



FAST FIT PLASTIC MUDGUARDS WITH WHITE LINE

Mudguards, Mudflaps, Valances and Fittings

DK4175



DK4180
DK4190



DK4185



DK41 White Line			
Code	Dimensions mm		
	B	L	S
DK4175	460	1900	1300
DK4180	450	2125	1365
DK4185	450	2125	1365
DK4190	690	2125	1365

TUBE STAYS FAST FIT PLASTIC MUDGUARDS



BLACK POWDER COATED FAST-FIT STRAIGHT TUBE		
Code	Dimensions mm	
	L	Ø
DK8050	505	42
DK8051	700	42



BLACK POWDER COATED WITH WELDED SCREW CURVED TUBE		
Code	Dimensions mm	
	L	Ø
DK8056	505	42
DK8057	700	42



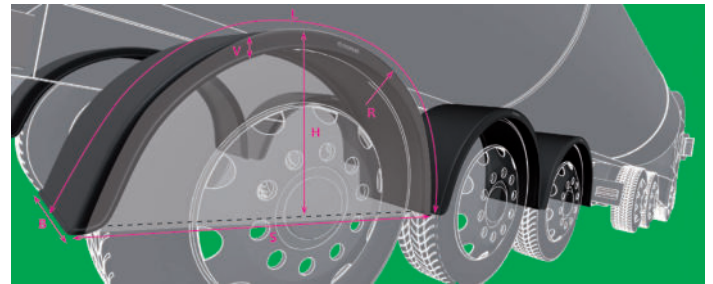
BLACK POWDER COATED WITH SCREW STRAIGHT TUBE		
Code	Dimensions mm	
	L	Ø
DK8052	505	42
DK8053	700	42

BLACK POWDER COATED CURVED FAST FIT TUBE			
Code	Dimensions mm		
	L	L1	Ø
DK8058	510	390	42



PLASTIC MUDGUARD

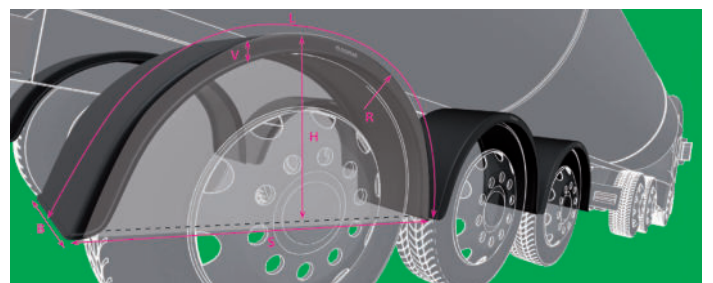
Mudguards, Mudflaps, Valances and Fittings



Code	Dimensions mm					
	B	L	R	S	H	V
DK1510	270	1300	420	840	410	60
DK1515	410	1350	430	860	430	60
DK1520	450	1350	430	860	430	60
DK1530	500	1620	500	1000	520	60
DK1535	500	1700	550	1100	540	75
DK1540	550	1700	550	1100	540	75
DK1545	550	1780	560	1120	570	60

Code	Dimensions mm					
	B	L	R	S	H	V
DK1550	550	1900	630	1280	600	75
DK1555	600	1700	550	1100	540	75
DK1560	600	1840	580	1160	590	60
DK1565	600	1900	630	1280	600	75
DK1570	650	1900	630	1280	600	75
DK1575	430	1900	650	1300	580	75
DK1580	430	2125	650	1300	690	75
DK1585	670	2125	670	1340	680	75

PLASTIC MUDGUARD WITH WHITE LINE

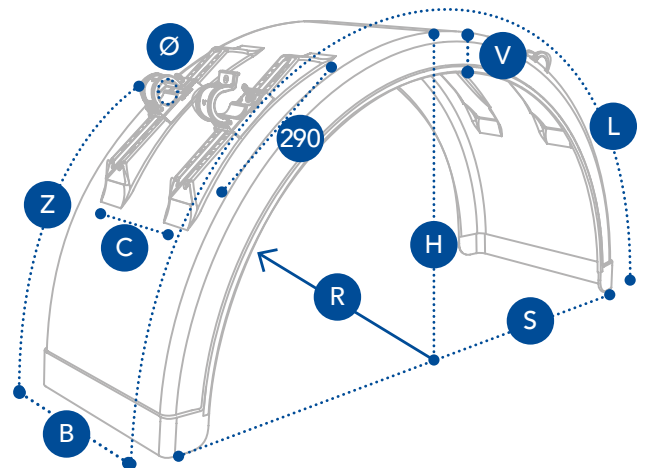


Code	Dimensions mm					
	B	L	R	S	H	V
DK1615	410	1350	430	860	430	60
DK1620	450	1350	430	860	430	60
DK1635	500	1700	550	1100	540	75
DK1640	550	1700	550	1100	540	75
DK1650	550	1900	630	1280	600	75
DK1655	600	1700	550	1100	540	75

Code	Dimensions mm					
	B	L	R	S	H	V
DK1665	600	1900	630	1280	600	75
DK1670	650	1900	630	1280	600	75
DK1675	430	1900	650	1300	580	75
DK1680	430	2125	650	1300	690	75
DK1685	670	2125	670	1340	680	75

PLASTIC MUDGUARD WITH INTEGRATED ADJUSTABLE BRACKETS

Bracket with rubber grip - -50°C / +80°C resistant

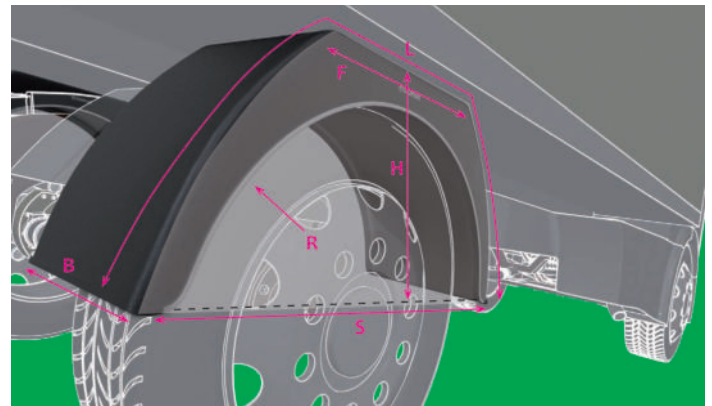


Code	Dimensions (mm)						Support Dimensions (mm)		
	B	L	R	S	H	V	C	Z	Ø
DK2970	650	1900	630	1250	600	75	450	525	42
DK2971	650	2000	630	1260	640	75	450	580	42
DK2972	650	1900	630	1250	600	75	450	525	48
DK2973	650	2000	630	1260	640	75	450	580	48
DK2975	430	1900	640	1250	590	75	200	525	42
DK2976	430	2000	640	1270	640	75	200	580	42
DK2977	430	1900	640	1250	590	75	200	525	48
DK2978	430	2000	640	1270	640	75	200	580	48

Code	Dimensions (mm)						Support Dimensions (mm)		
	B	L	R	S	H	V	C	Z	Ø
DK3070	650	1900	630	1250	600	75	450	525	42
DK3071	650	2000	630	1260	640	75	450	580	42
DK3072	650	1900	630	1250	600	75	450	525	48
DK3073	650	2000	630	1260	640	75	450	580	48
DK3075	430	1900	640	1250	590	75	200	525	42
DK3076	430	2000	640	1270	640	75	200	580	42
DK3077	430	1900	640	1250	590	75	200	525	48
DK3078	430	2000	640	1270	640	75	200	580	48



PLASTIC FLAT - TOPPED MUDGUARD WITH WHITE LINE



Code	Dimensions mm					
	B	L	R	S	H	F
DK3110	260	1450	380	880	450	400
DK3115	450	1480	400	920	460	400
DK3120	510	1770	430	1000	550	510
DK3125*	550	1930	512	1150	570	650

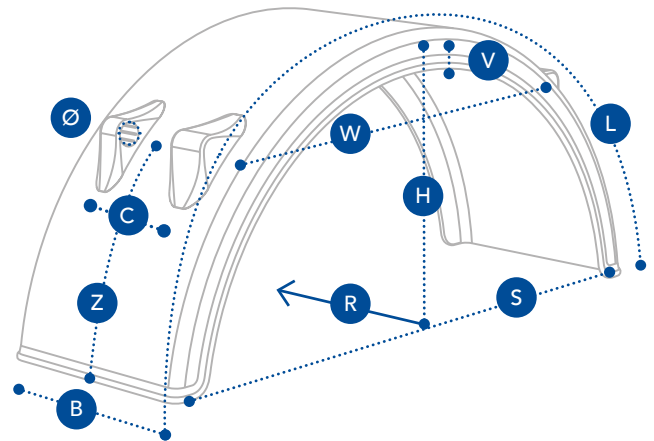
* DK3125 is only available with a Black line

DOMAR LIGHTWEIGHT FASTFIT MUDGUARDS

Bracket with rubber grip - -50°C / +80°C resistant



DK43 - Plain



Code	Dimensions (mm)						Support Dimensions (mm)			
	B	L	R	S	H	V	C	Z	W	Ø
DK4375	430	1900	650	1300	580	75	210	500	875	42
DK4380	430	2125	650	1300	690	75	210	570	935	42
DK4385	670	2125	670	1340	680	75	450	570	945	42

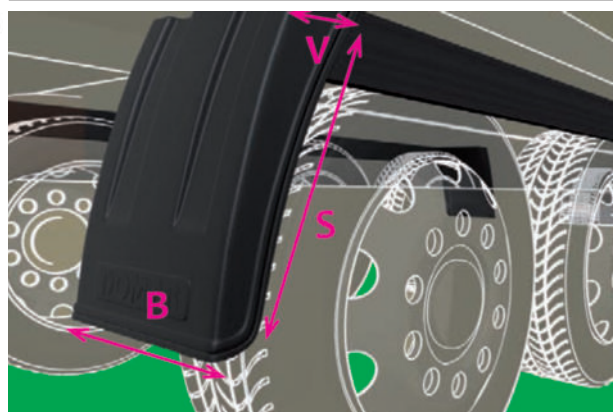


DK44 - White border

Code	Dimensions (mm)						Support Dimensions (mm)			
	B	L	R	S	H	V	C	Z	W	Ø
DK4475	430	1900	650	1300	580	75	210	500	875	42
DK4480	430	2125	650	1300	690	75	210	570	935	42
DK4485	670	2125	670	1340	680	75	450	570	945	42

PLASTIC HALF WING MUDGUARD

Mudguards, Mudflaps, Valances and Fittings

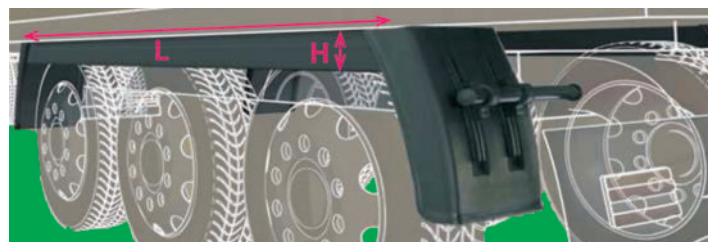


Code	Wing Dimensions mm			Support Dimensions mm		
	B	S	V	C	Z	Ø
DK1210	460	500	150	-	-	-
DK1220	460	600	150	-	-	-
DK2210	460	500	150	180	300	42

ANTI - SPRAY SIDE VALANCE



Anti - Spray Side Valance with horizontal fitting set			Anti - Spray Side Valance with vertical fitting set		
Code	Dimensions mm		Code	Dimensions mm	
	L	H		L	H
DK5510	3700	100	DK5550	3700	100
DK5520	3700	150	DK5560	3700	150



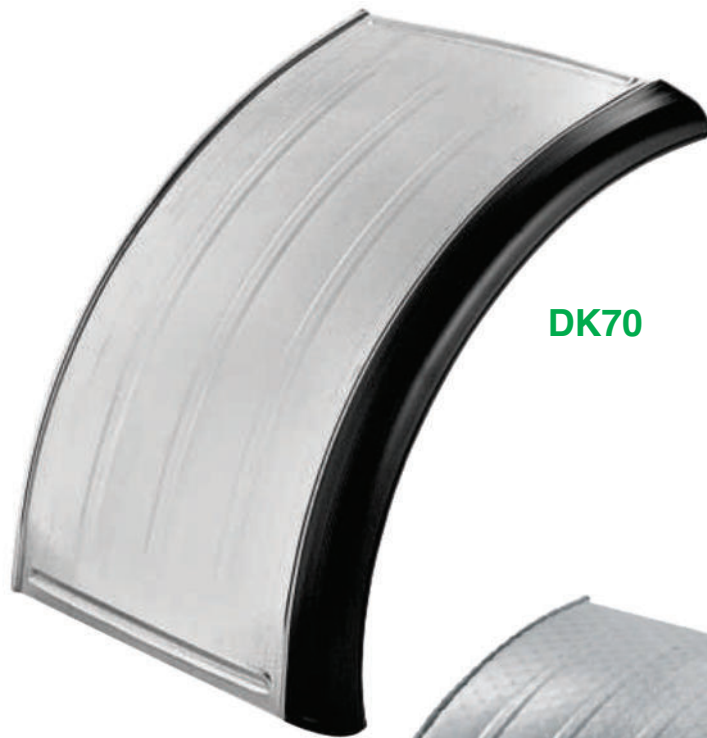
FLOWERED STAINLESS STEEL & ZINC PLATED HALF WINGS

Mudguards, Mudflaps, Valances and Fittings

DK70 with Rubber Edge

Zinc Plated Half Wing

Code	Dimensions mm	
	B	L
DK7010	500	700
DK7015	600	700
DK7020	650	700
DK7025	500	800
DK7035	650	800



DK70

DK73 with Rubber Edge

Flowered Stainless Steel Half Wing

Code	Dimensions mm	
	B	L
DK7310	500	700
DK7320	650	700
DK7325	500	800
DK7335	650	800

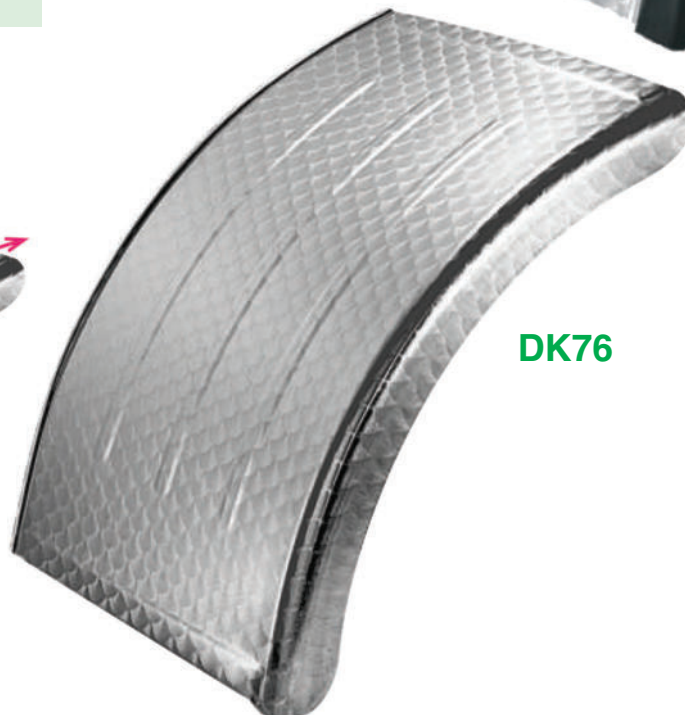


DK73

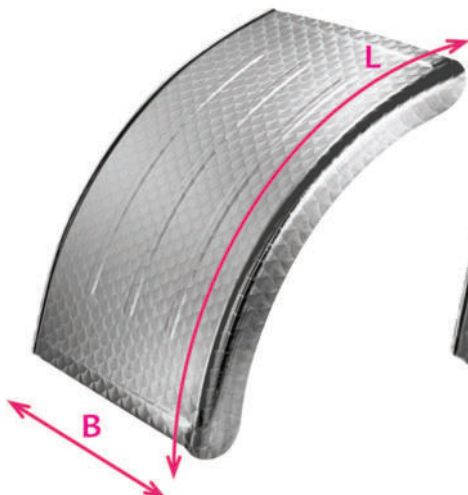
DK76

Flowered Stainless Steel Half Wing

Code	Dimensions mm	
	B	L
DK7610	500	700
DK7620	650	700
DK7625	500	800
DK7635	650	800



DK76



FLOWERED STAINLESS STEEL & ZINC PLATED SINGLE AXLE

Mudguards, Mudflaps, Valances and Fittings

DK71 Single Axle Zinc Plated Rubber Edge

Code	Dimensions mm		
	B	L	S
DK7110	240	1250	820
DK7115	400	1250	880
DK7120	400	1350	880
DK7125	450	1350	880
DK7130	420	1420	920
DK7135	450	1500	1000
DK7140	500	1500	1000
DK7145	550	1700	1110
DK7150	600	1800	1115
DK7155	650	1800	1115
DK7160	550	1900	1200
DK7165	450	2000	1340
DK7170	600	2000	1340
DK7175	650	2000	1340

DK71

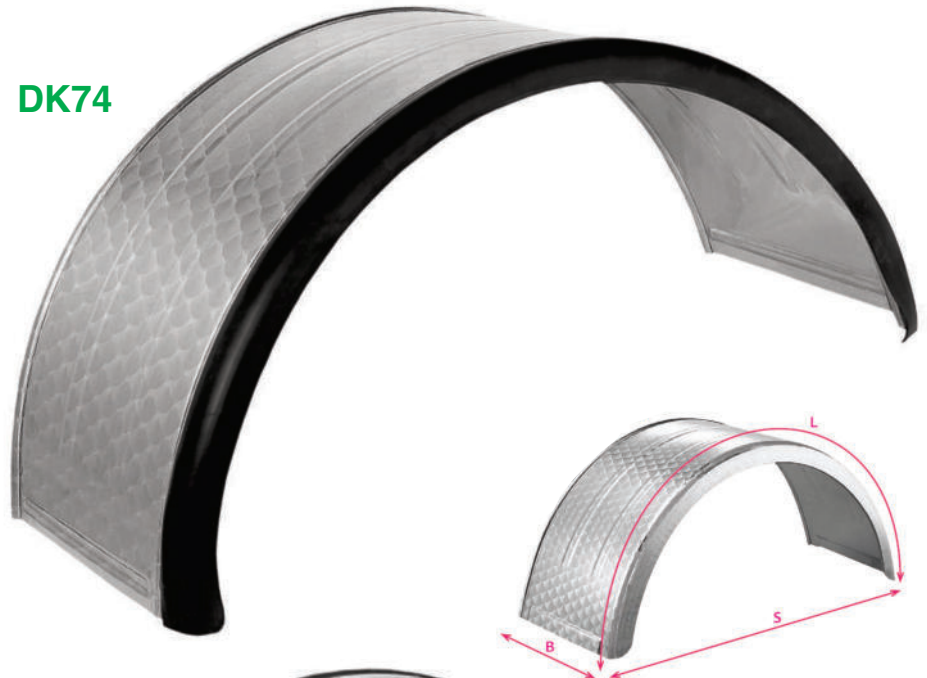


DK74 Single Axle Rubber Edge

Flowered Stainless Steel

Code	Dimensions mm		
	B	L	S
DK7420	400	1350	880
DK7425	450	1350	880
DK7440	500	1500	1000
DK7445	550	1700	1110
DK7450	600	1800	1115
DK7455	650	1800	1115
DK7465	450	2000	1340
DK7475	650	2000	1340

DK74

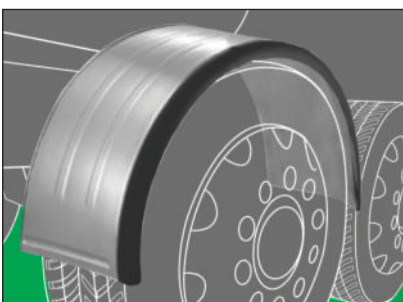


DK77 Single Axle

Flowered Stainless Steel

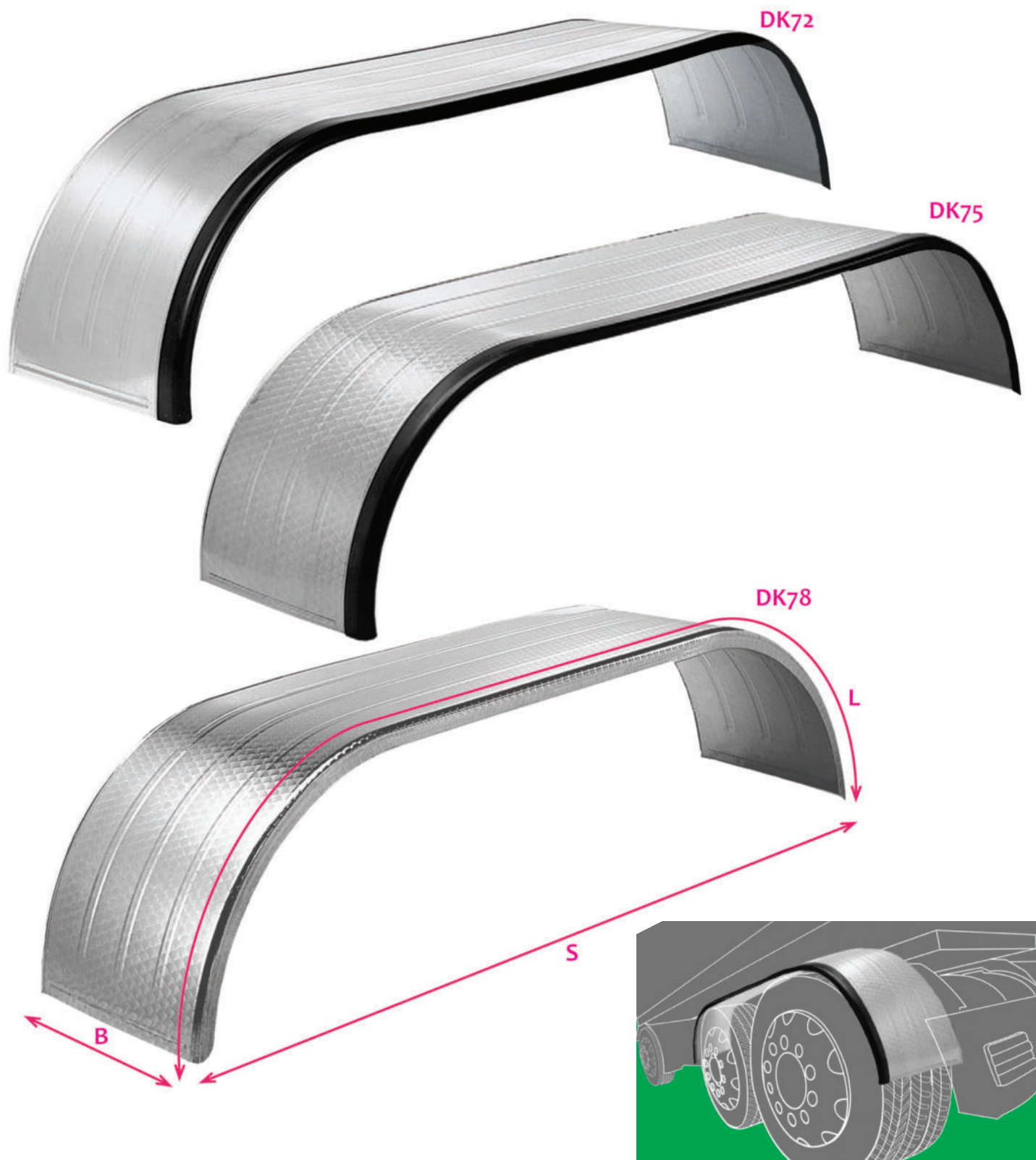
Code	Dimensions mm		
	B	L	S
DK7720	400	1350	880
DK7725	450	1350	880
DK7740	500	1500	1000
DK7745	550	1700	1110
DK7750	600	1800	1115
DK7755	650	1800	1115
DK7765	450	2000	1340
DK7775	650	2000	1340
DK777506	690	2000	1340

DK77



FLOWERED STAINLESS STEEL & ZINC PLATED MULTI-AXLE

Flowered - Stainless Steel - Zinc Plated - Multi Axle



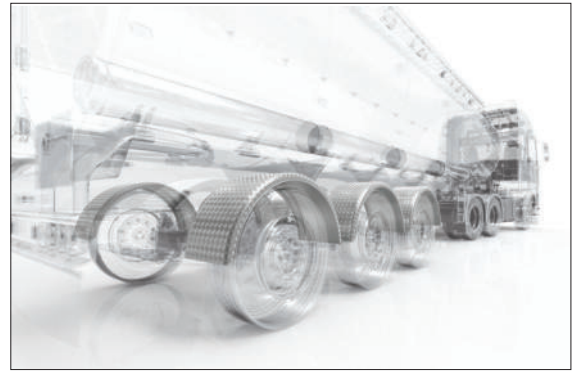
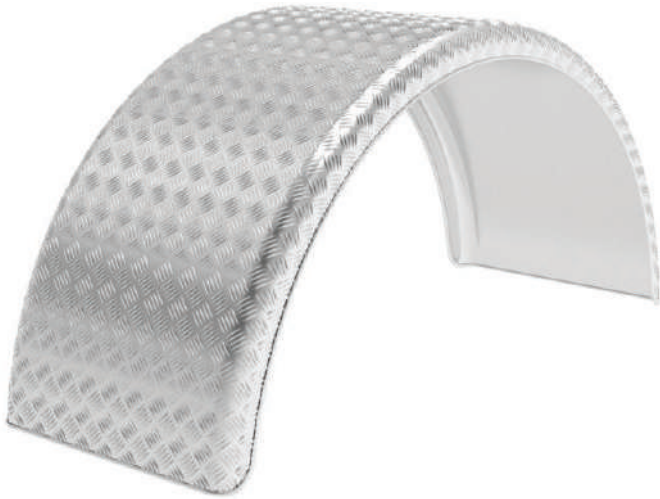
DK72 Multi Axle			
Zinc Plated with Rubber Edge			
Code	Dimensions mm		
	B	L	S
DK7215	650	3500	2740
DK7220	500	4750	3950
DK7225	650	4750	3950

DK75 Multi Axle			
Flowered Stainless Steel with Rubber Edge			
Code	Dimensions mm		
	B	L	S
DK7515	650	3500	2740

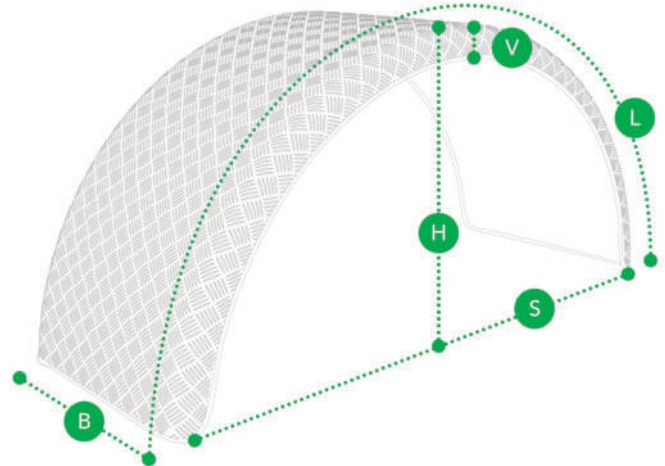
DK78 Multi Axle			
Flowered Stainless Steel			
Code	Dimensions mm		
	B	L	S
DK7815	650	3500	2740

TREAD PLATE ALUMINIUM MUDGUARD SINGLE AXLE

Tread plate aluminium mudguard - single axle - Light and robust

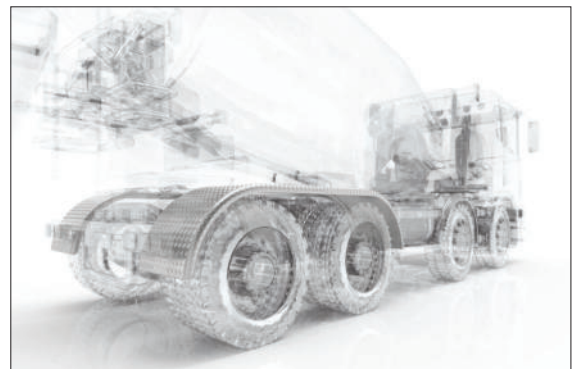
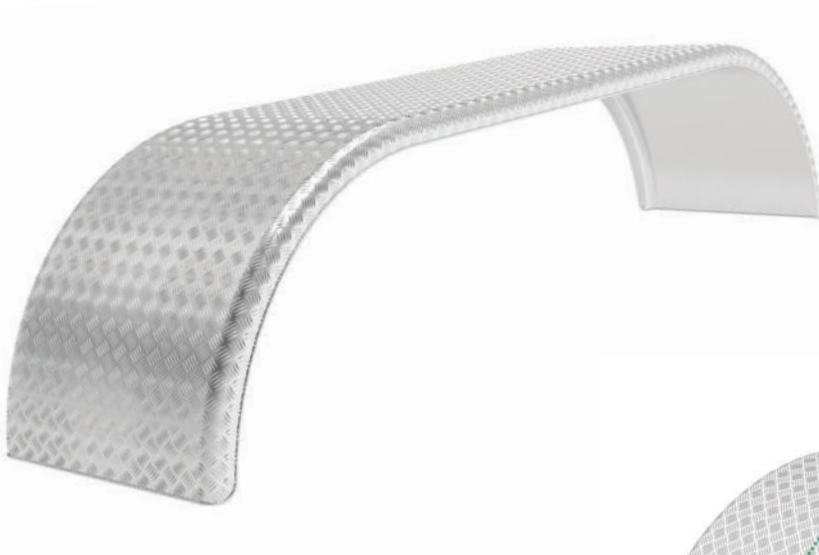


Code	Dimensions (mm)				
	B	L	S	H	V
DL796003 with edge	420	2070	1300	635	60
DL796001 with edge	450	2135	1325	660	60
DK7900	500	2000	1300	630	60
DK7905	650	2000	1300	630	60
DK7960 with edge	500	2000	1300	630	60
DK7965 with edge	650	2000	1300	630	60
DL7965A06 with edge	650	2070	1300	635	60
DL7965A07 with edge	690	2070	1300	635	60

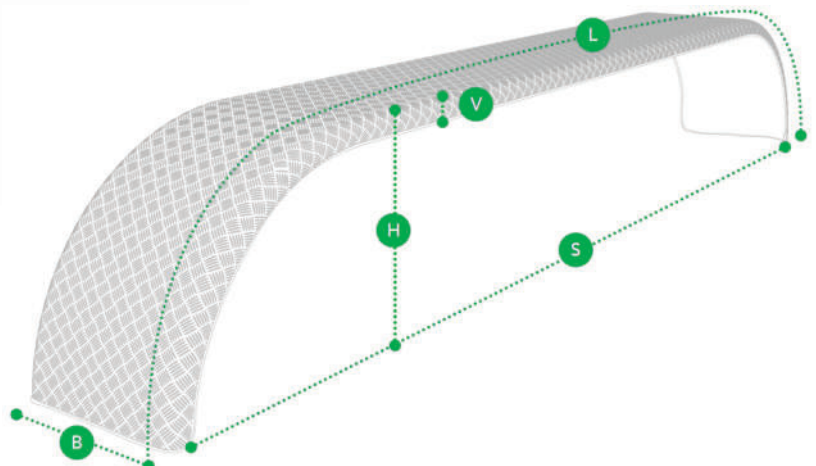


TREAD PLATE ALUMINIUM MUDGUARD MULTI AXLE

Tread plate aluminium mudguard - multi axle - Light and robust



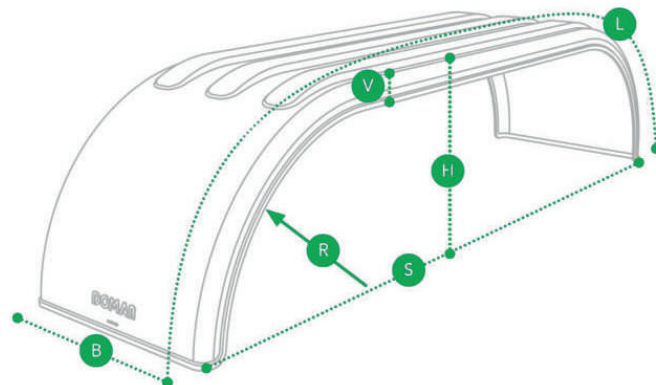
Code	Dimensions mm				
	B	L	S	H	V
DK7910	500	4700	3950	690	60
DK7920	650	3500	2740	690	60
DK7980 with edge	500	4700	3950	690	60
DK7990 with edge	650	3500	2740	690	60



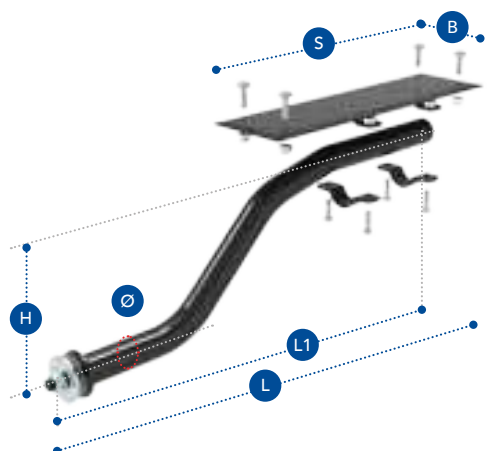
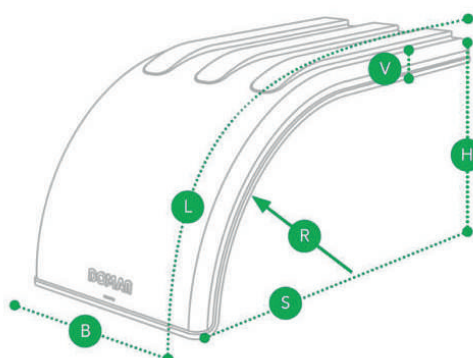
PLASTIC TANDEM MUDGUARD / QUARTER

Plastic mudguard - Tandem and Quarter

DK4500



DK4550



Bracket for Tandem

Code	Dimensions mm					
	B	R	L	S	H	V
DK4500	670	635	3360	2680	620	75
DK4550	670	635	1680	1340	620	75



Code	Dimensions (mm)						
	L	L1	Ø	Th	B	S	H
DK8610	750	680	42	2.5	127	455	185

STRAIGHT WINGSTAY WITH PLUG

Straight Wingstay Open Ended Black Powder Coated

Straight Wingstay Single Bolt Fitting Direct to Chassis Black Powder Coated



Code	Dimensions mm	
	L	Ø
DK8010	580	42
DK8012	800	42

Code	Dimensions mm	
	L	Ø
DK8020	580	42
DK8022	800	42

STRAIGHT WINGSTAY WITH PLUG

Straight Wingstay 3 Hole Attachment Black Powder Coated

Straight Wingstay Single Bolt Fitting Direct to Chassis Black Powder Coated

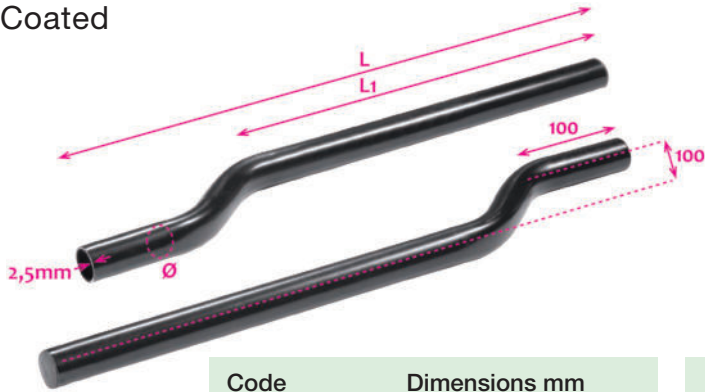


Code	Dimensions mm	
	L	Ø
DK8030	580	42
DK8032	800	42

Code	Dimensions mm	
	L	Ø
DK8060	580	42
DK8062	800	42

CURVED WINGSTAY WITH PLUG

Curved Wingstay Open Ended Black Powder Coated



Code	Dimensions mm		
	L	L1	Ø
DK8014	580	310	42
DK8016	800	530	42

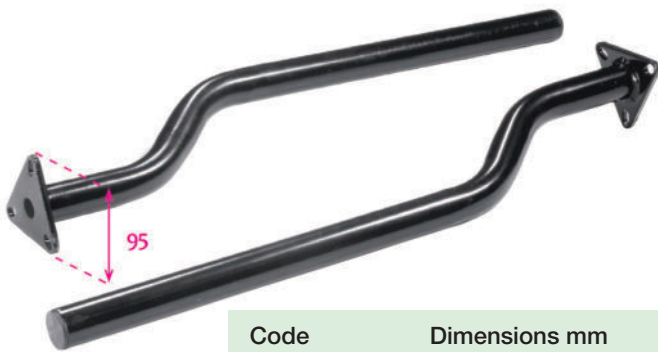
Curved Wingstay Single Bolt Fitting Direct to Chassis Black Powder Coated



Code	Dimensions mm		
	L	L1	Ø
DK8024	580	310	42
DK8026	800	530	42

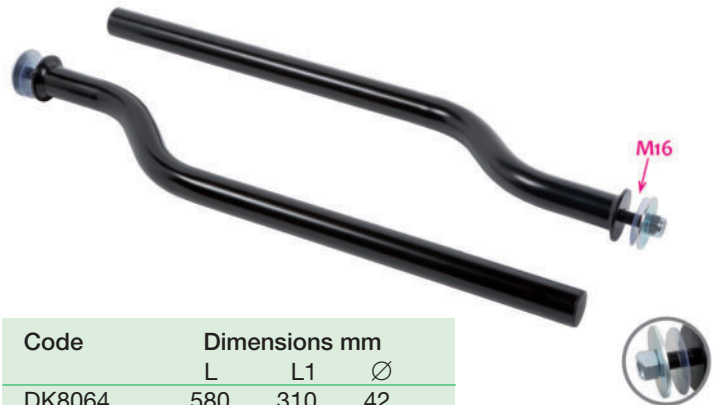
CURVED WINGSTAY WITH PLUG

Curved Wingstay 3 Hole Attachment Black Powder Coated



Code	Dimensions mm		
	L	L1	Ø
DK8034	580	310	42
DK8036	800	530	42

Curved Wingstay Single Bolt Fitting Direct to Chassis Black Powder Coated



Code	Dimensions mm		
	L	L1	Ø
DK8064	580	310	42
DK8066	800	530	42

STAINLESS STEEL WING STAY

Wingstay Single Bolt Fitting Direct to Chassis Stainless Steel



Code	Type	Dimensions mm		
		B	L	Ø
DL802001	STRAIGHT	100	555	42
DL802400	CRANKED	100	580	42
DL802606	CRANKED	100	800	42

ZINC PLATED WING STAY

Wingstay Single Bolt Fitting Direct to Chassis Zinc Plated

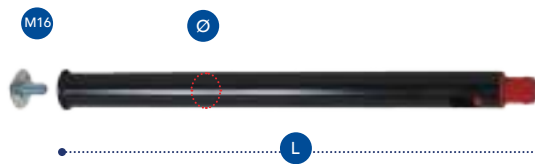


Code	Type	Dimensions mm		
		B	L	Ø
DL802401	CRANKED	150	580	34
DL802602	CRANKED	150	700	34

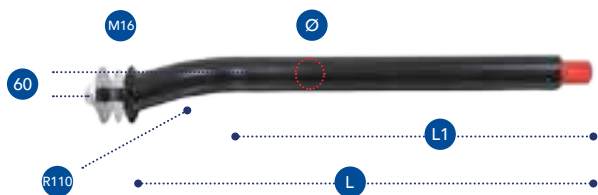
DOMAR FAST-FIT WINGSTAYS



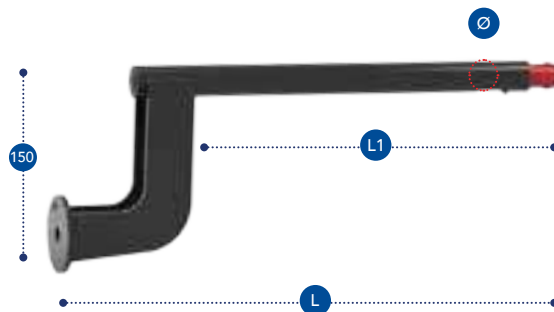
Code	Dimensions (mm)		
	L	Ø	Th
DK8080	495	33	2.5
DK8050	505	42	2.5
DK8051	700	42	2.5



Code	Dimensions (mm)		
	L	Ø	Th
DK8082	495	33	2.5
DK8052	505	42	2.5
DK8053	700	42	2.5

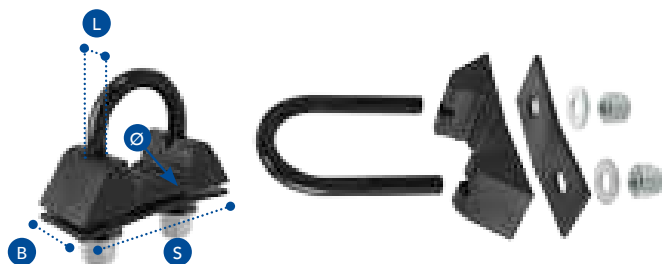


Code	Dimensions (mm)			
	L	L1	Ø	Th
DK8066	495	380	33	2.5
DK8056	505	390	42	2.5
DK8057	700	580	42	2.5



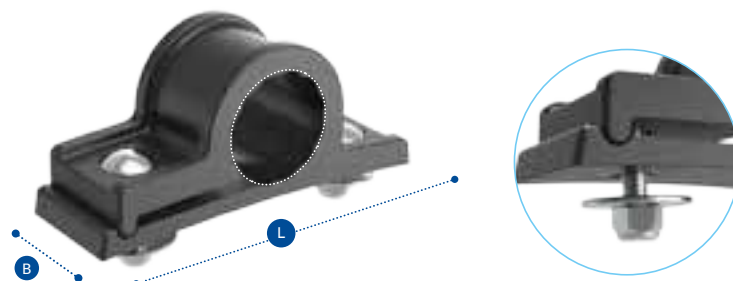
Code	Dimensions (mm)			
	L	L1	Ø	Th
DK8058	510	370	42	2.5

DOMAR PLASTIC SUPPORT



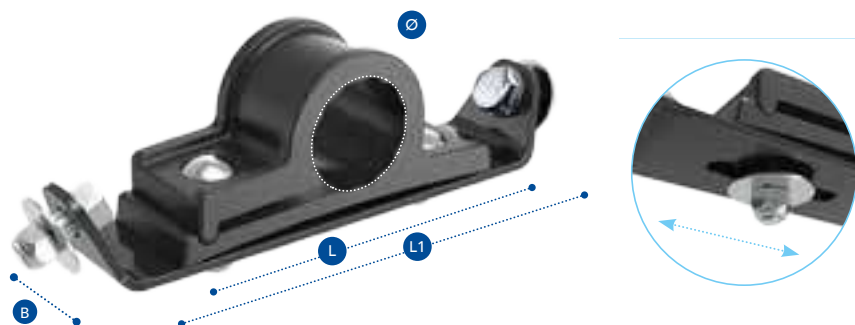
Code	Dimensions (mm)				
	B	S	H	Ø	L
DK50140	30	78	22	34	M6
DK50150	30	78	22	34	M8

DOMAR FIXED BRACKET



Code	Dimensions (mm)		
	Ø	L	B
DK8110	42	145	48

DOMAR ADJUSTABLE MIDDLE BRACKET



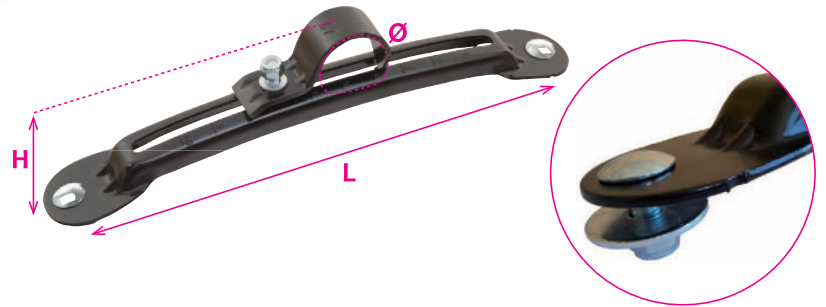
Code	Dimensions (mm)			
	Ø	L	L1	B
DK8112	42	145	210	48

BLACK STEEL ADJUSTABLE MUDGUARD SUPPORT

Adjustable Support Black Steel

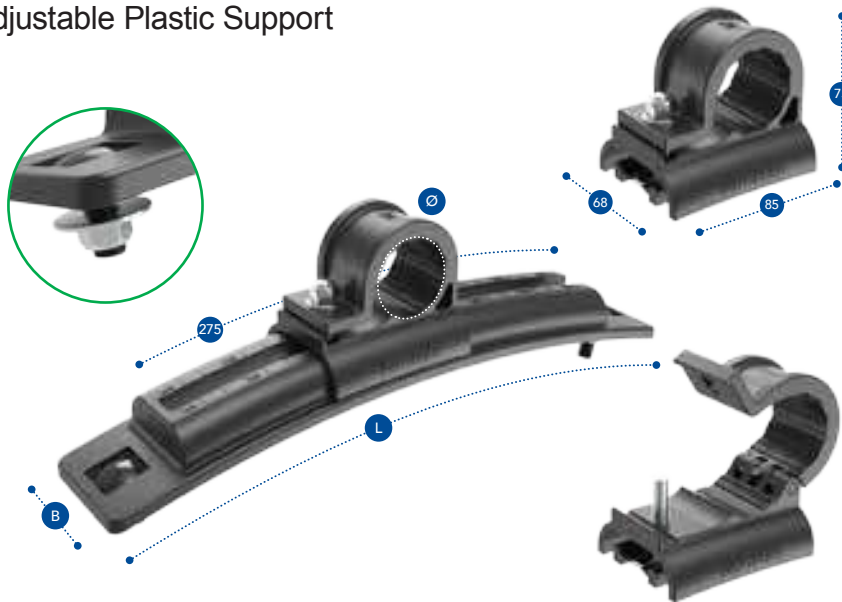


Code	Dimensions mm		
	L	H	Ø
DK8115	330	90	42



PLASTIC ADJUSTABLE MUDGUARD BRACKET

Adjustable Plastic Support



Code	Dimensions (mm)		
	Ø	L	B
DK8145	42	360	68
DK8150	48	360	68

With Clasp

Code	Dimensions (mm)		
	Ø	L	B
DK8146	42	360	68
DK8151	48	360	68

ADJUSTABLE BRACKET MUDGUARD SUPPORTS

Adjustable plastic bracket for mudguard with clasp. Lightweight plastic construction



Code	Dimensions Ø To suit stay diameter
DK8143	33mm
DK8148	42mm
DK8153	48mm
DK8158	54mm



PLASTIC SUPPORT

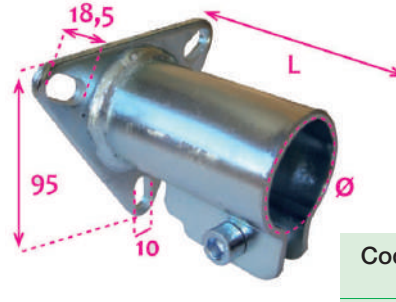
Plastic 3-Hole Fitting Direct to Chassis for 42mm Wingstay



Code	Dimensions mm	
	L	Ø
DK8210	100	42

ZINC PLATED SUPPORT

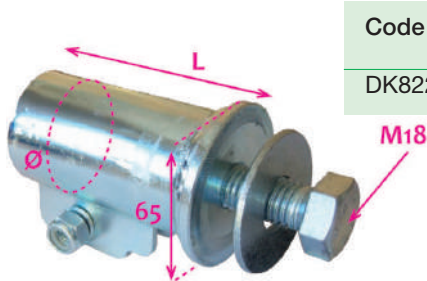
Zinc Plated 3-Hole Fitting Direct to Chassis for 42mm Wingstay



Code	Dimensions mm	
	L	Ø
DK8215	100	42

ZINC PLATED SUPPORT

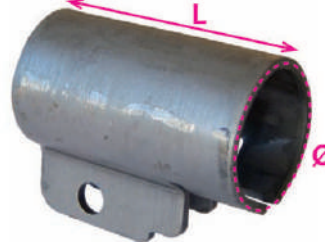
Zinc Plated Single Bolt Support Socket for 42mm Wingstay



Code	Dimensions mm	
	L	Ø
DK8220	100	42

STEEL COUPLING

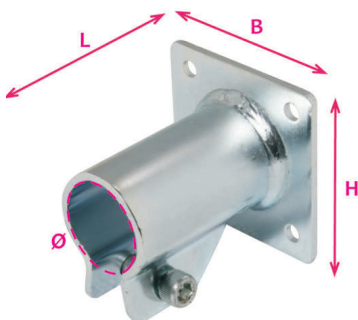
Bare Steel Weld on Support Socket for 42mm Wingstay



Code	Dimensions mm	
	L	Ø
DK8225	95	42

TUBE BRACKET

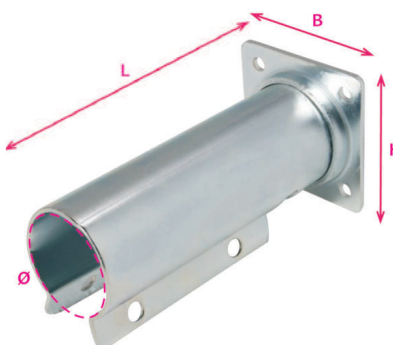
Zinc Plated Wingstay Support Socket for 42mm Wingstay



Code	Dimensions (mm)			
	B	H	L	Ø
DK8216	90	90	95	42

MUDGUARD TUBE BRACKET

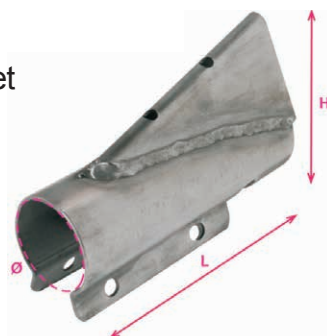
Zinc Plated Wingstay Support Socket for 54mm Wingstay



Code	Dimensions (mm)			
	B	H	L	Ø
DK8230	90	90	195	54

REINFORCED TUBE SUPPORT

Bare Steel Weld on Wingstay Support Socket for 54mm Wingstay



Code	Dimensions (mm)		
	L	H	Ø
DK8234	190	130	54

TUBE CAP

Rubber Tube Caps



	L	Ø
DK8410	24	42
DK8420	24	54