

ACCESS LADDERS

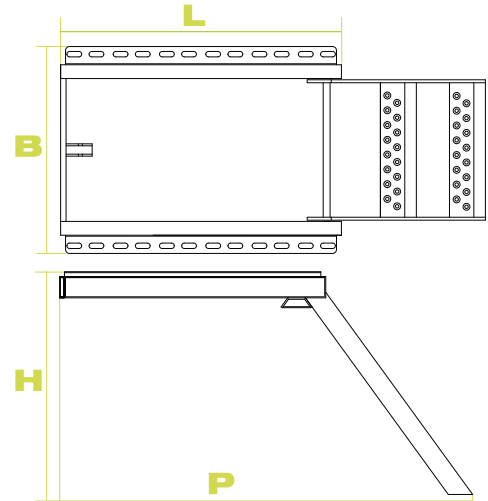


PULLOUT LADDER

Pullout ladders with multipoint fixing



Code	Dimensions mm				Steps	Weight kg
	L	P	B	H		
ZINC PLATED						
TK8610	400	600	420	310	1	4.3
TK8615	570	850	420	460	2	6.0
TK8620	660	1000	420	530	2	6.5
TK8625	750	1120	420	600	3	7.45
STAINLESS STEEL						
TK8630	400	600	430	310	1	4.7
TK8635	570	850	430	460	2	6.4
TK8640	660	1000	420	530	2	7.2
TK8645	750	1120	430	600	3	8.55
HOT GALVANISED						
TK8650	400	600	420	310	1	4.55
TK8655	570	850	420	460	2	6.3
TK8660	660	1000	420	530	2	6.9
TK8665	750	1120	420	600	3	7.9

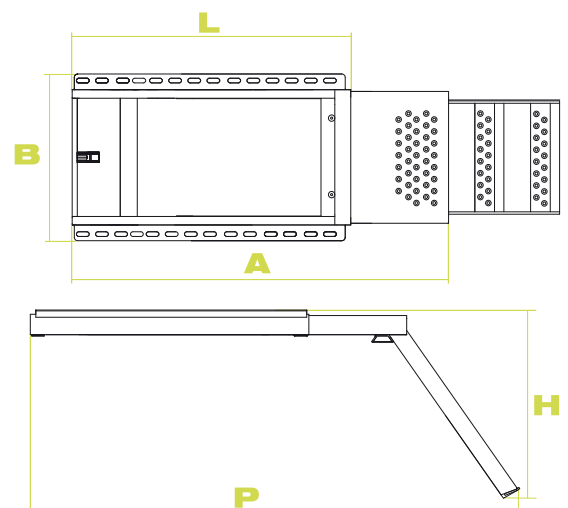


PULLOUT LADDER WITH PLATFORM

Pullout ladder with multipoint fixing - Platform

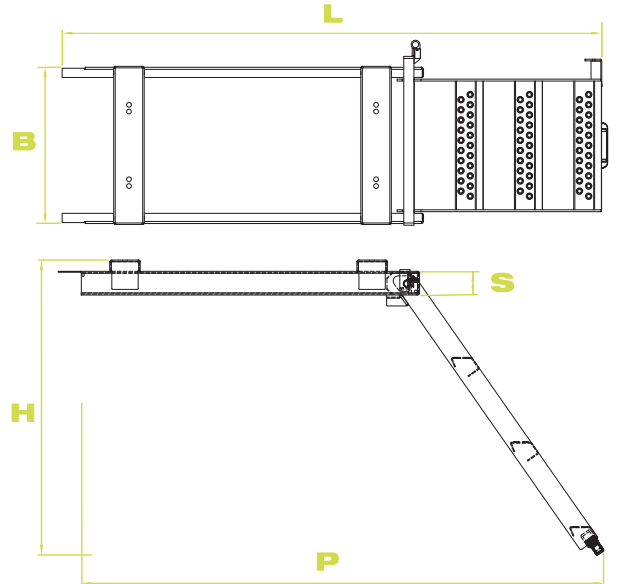
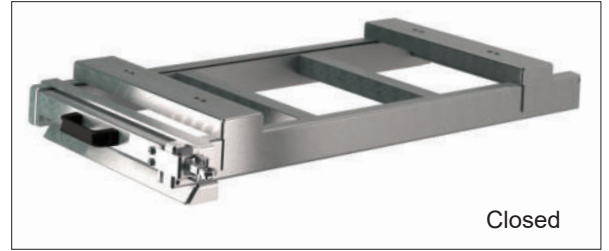


Code	Dimensions mm					Steps	Weight kg
	L	P	B	H	A		
HOT GALVANISED							
TK8250	392	754	420	322	550	1	6.90
TK8255	562	1105	420	460	800	2	9.36
TK8260	652	1236	420	531	880	2	10.70
TK8265	742	1366	420	602	960	3	12.09



PULLOUT LADDER WITH FIXING BARS NO PLATFORM

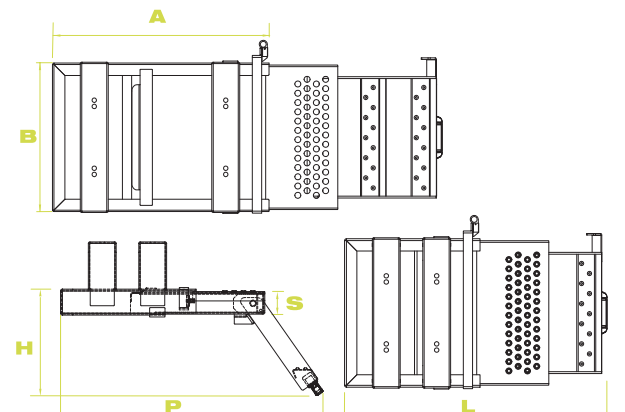
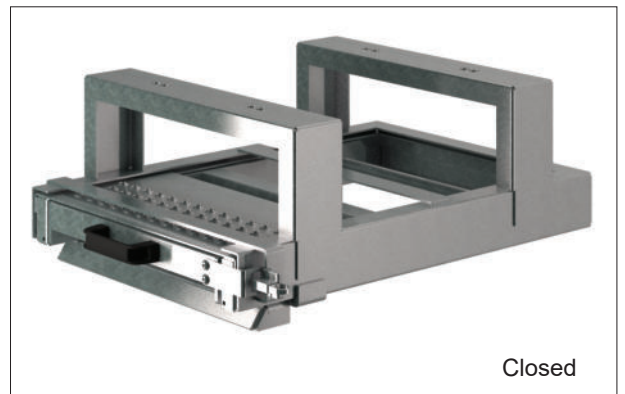
Pullout ladders without platform - Fixing bars - Hot Galvanised



Code	Dimensions mm					Steps	Weight kg
	L	B	H	P	S		
TK8510	510	461.5	413	753	70.4	1	14.7
TK8515	760	461.5	571	114.3	70.4	2	22.2
TK8525	1067	461.5	855	1525	70.4	3	23

PULLOUT LADDER WITH PLATFORM & FIXING BARS

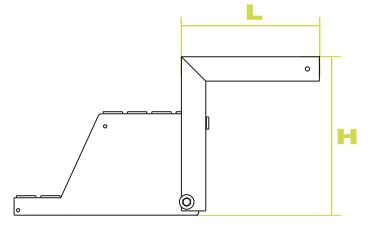
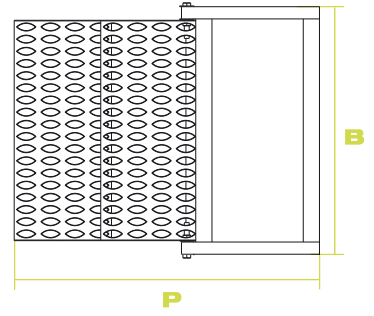
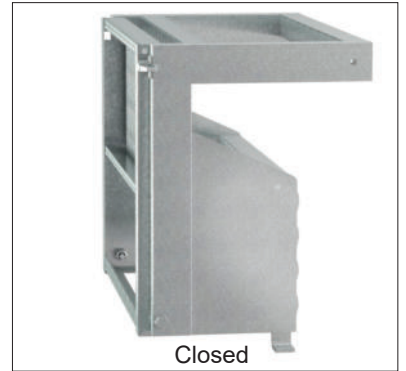
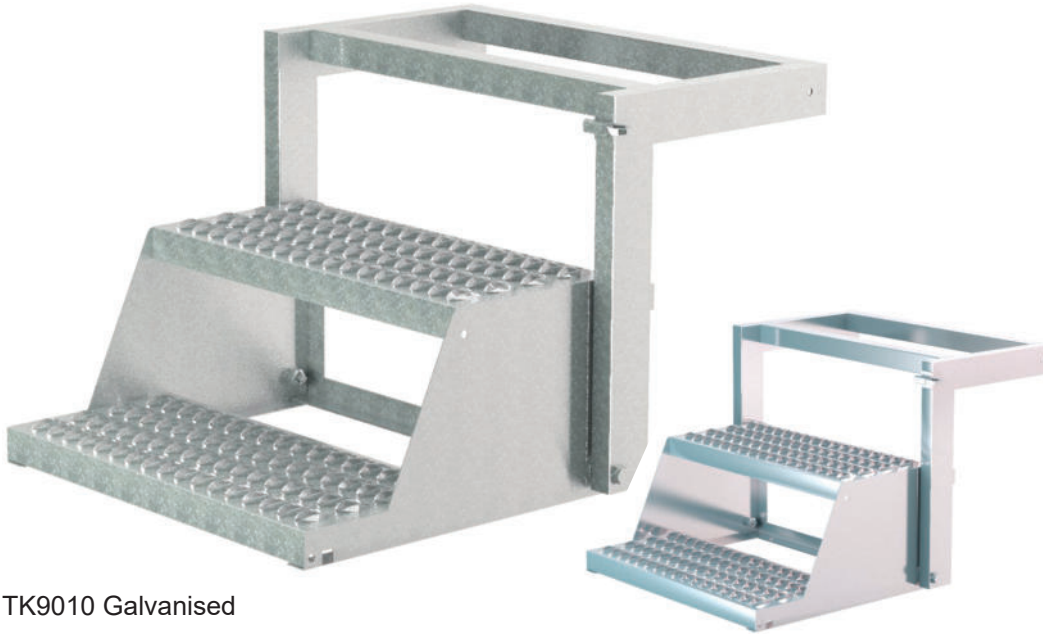
Pullout ladder - Platform - Pull Handle - Fixing bars - Hot Galvanised



Code	Dimensions mm						Steps	Weight kg
	L	B	A	H	P	S		
TK8550	438	480	660	336	849.4	84	1	22
TK8555	700	480	922	530	1259	84	2	31.5
TK8565	985	480	1207	771	1681.5	84	3	35.95

FOLDING WITH 2 WIDE STEPS

Folding Step in Hot Galvanised and Zinc Plated



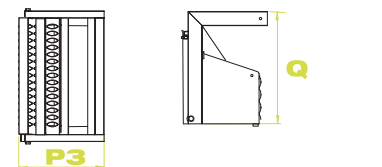
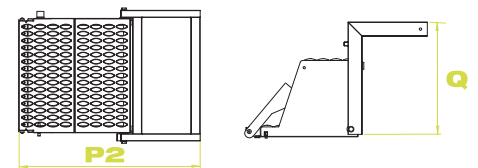
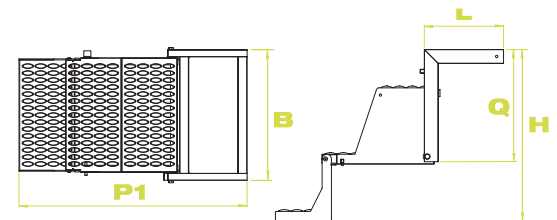
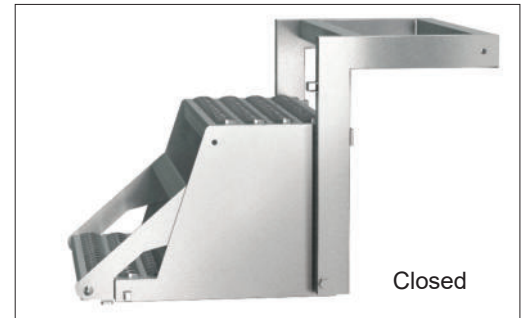
TK9010 Galvanised

TK9015 Zinc Plated

Code	Finish	Dimensions mm				Weight kg
		L	P	B	H	
TK9010	Hot Galvanised	340	753	610	460	15.8
TK9015	Zinc Plated	340	753	610	460	15.5

FOLDING WITH 3 WIDE STEPS

Folding Step in Hot Galvanised and Zinc Plated



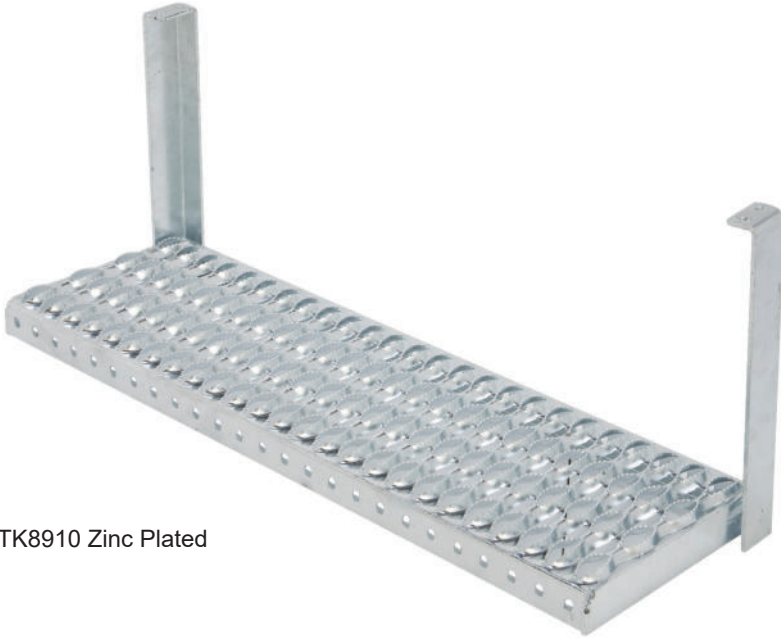
TK9050 Galvanised

TK9055 Zinc Plated

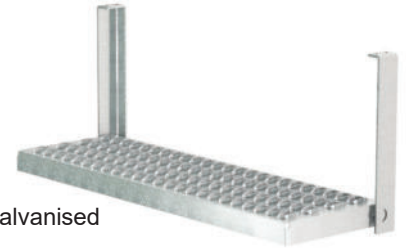
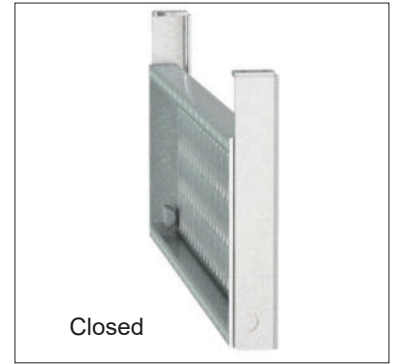
Code	Finish	Dimensions mm							Weight kg
		B	L	H	P1	P2	P3	Q	
TK9050	Hot Galvanised	560	340	734.5	978	779	350	481.5	31.9
TK9055	Zinc Plated	560	340	734.5	978	779	350	481.5	29.8

FOLDING WITH 1 STEP

Folding Step in Hot Galvanised and Zinc Plated

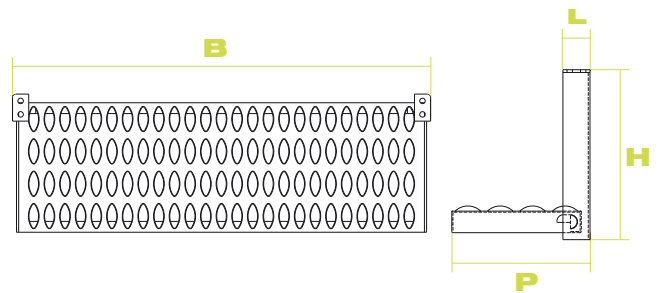


TK8910 Zinc Plated



TK8910 Galvanised

Code	Finish	Dimensions mm				Weight kg
		L	P	B	H	
TK8910	Hot Galvanised	50	256	775	315	5.26
TK8915	Zinc Plated	50	256	775	315	5.16



FOLDING 1 WIDE STEP

Fixed Step in Aluminium and Zinc Plated

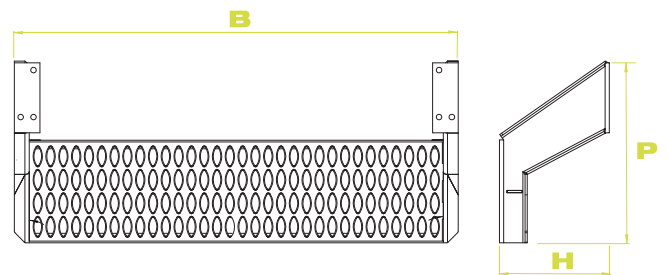


TK8960 Aluminium



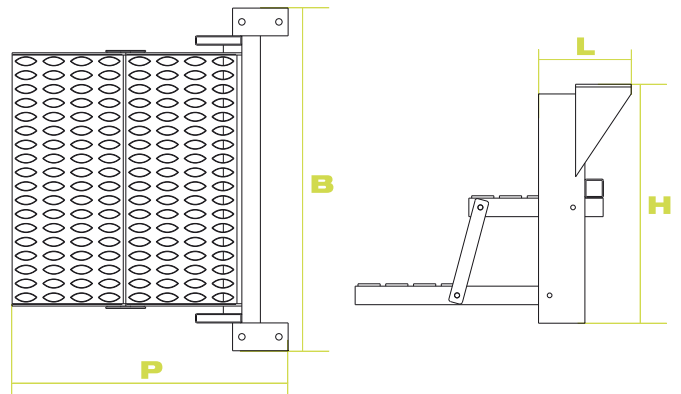
TK8950 Zinc Plated

Code	Finish	Dimensions mm			Weight kg
		P	B	H	
TK8950	Zinc Plated	425.6	1040	257.5	16.5
TK8960	Aluminium	425.6	1040	257.5	5.3



SLIDING LADDER WITH 2 WIDE STEPS

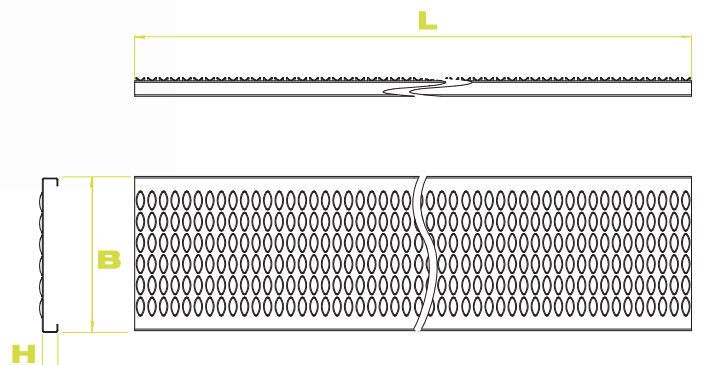
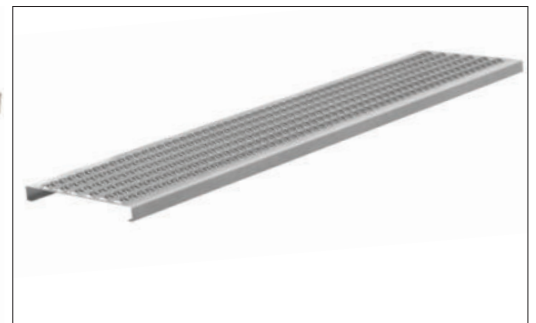
Sliding ladder - Hot Galvanised and Zinc Plated



Code	Finish	Dimensions mm				Weight kg
		L	P	B	H	
TK9210	Hot Galvanised	200	600	740	516	17.1
TK9215	Zinc Plated	200	600	740	516	16.8

BARE FINISH STEEL CATWALK

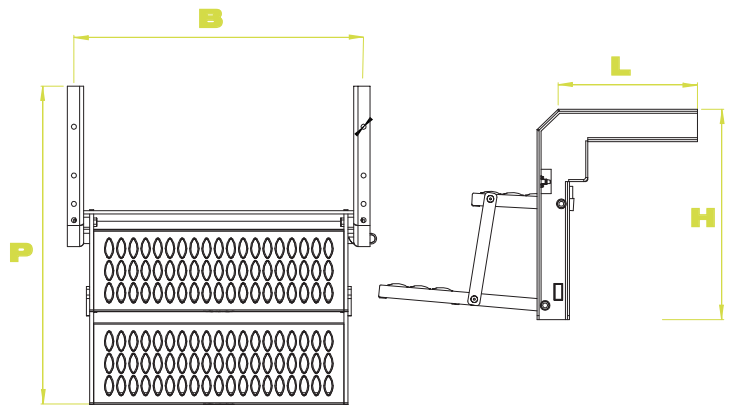
Bare Finish Steel Catwalk



Code	Dimensions mm			Weight kg
	L	B	H	
TK8810	3000	400	40	26.37

ALUMINUM LADDER WITH WIDE STEPS

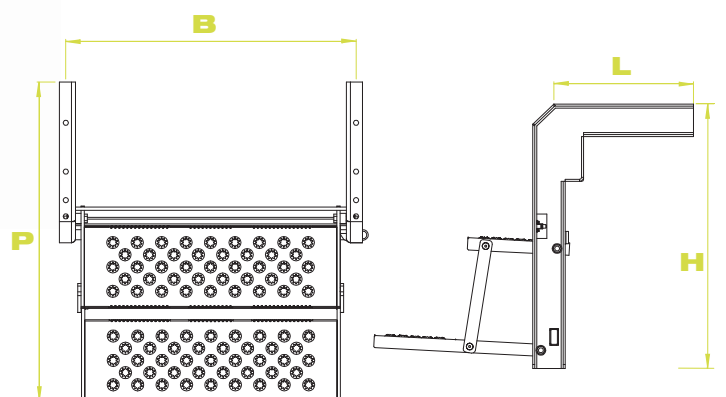
Folding ladder with Wide Steps - Aluminium



Code	Dimensions mm				Weight kg
	B	L	H	P	
TK9230	745	395	518	784	9

SLIDING LADDER WITH 2 WIDE STEPS

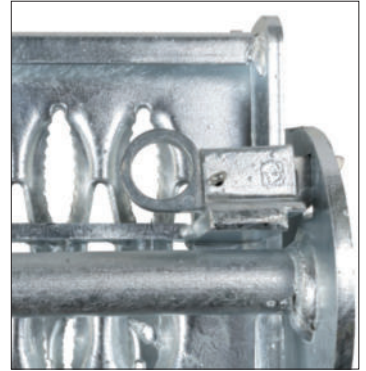
Sliding ladder with 2 Wide Steps - Hot Galvanised



Code	Dimensions mm				Weight kg
	B	L	H	P	
TK9250	745	395	650	784	22

SLIDE AWAY LADDER

Slide Away Ladder - Hot Galvanised - Option yellow powder coated



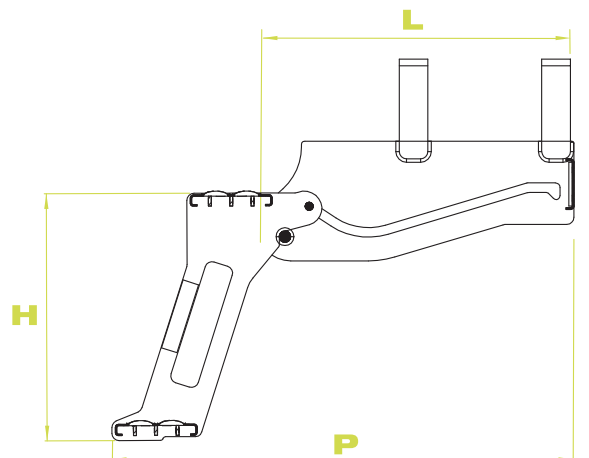
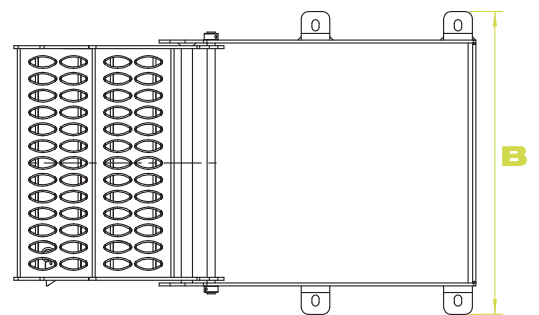
Locking System



Closed



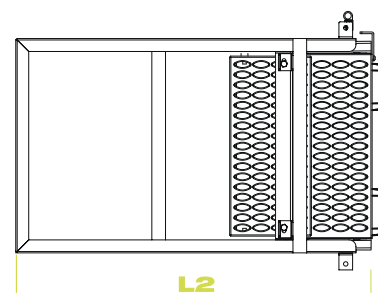
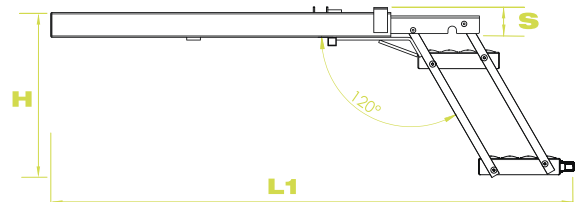
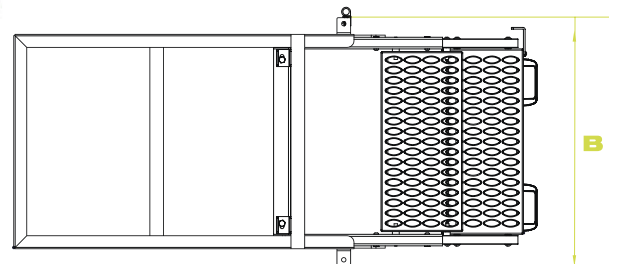
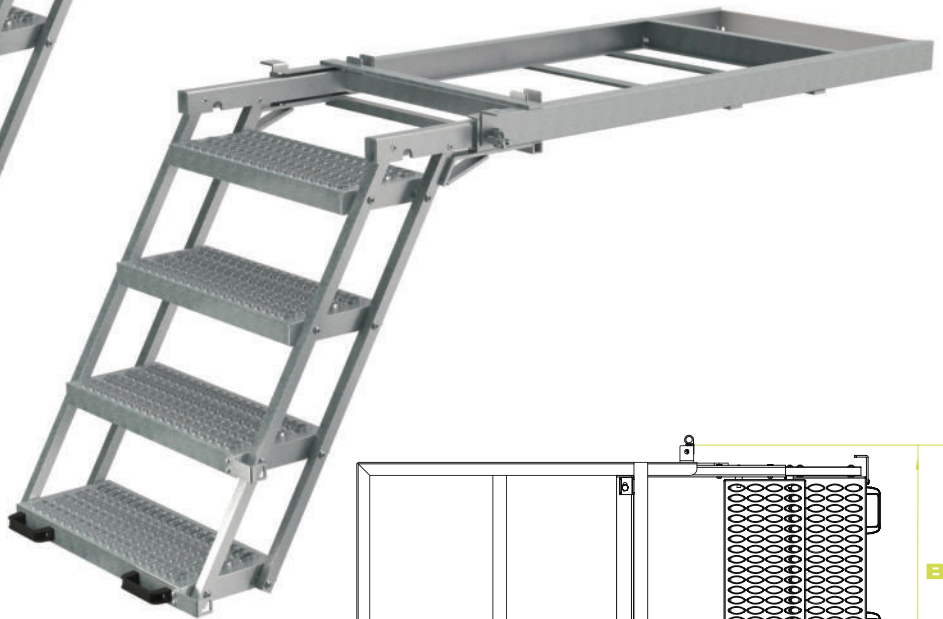
Optional yellow powder coated



Code	Dimensions mm				Steps	Weight kg
	L	B	H	P		
TK9003	27.56	21.26	22.95	50.31	2	50.70
TK9004	22.32	21.26	17.32	32.56	3	44.09

PULLOUT SUSPENDED LADDER WIDE STEP WITH HANDLES

Pullout - Wide Step - Hot Galvanised



These ladders can be produced to specific widths and dimensions with galvanised steel or aluminium steps

Code	Dimensions mm					Steps	Weight kg
	B	L1	H	L2	S		
TK9102	760	1549	500	1092	73	2	22
TK9104	845	1856	680	1304	73	3	26.3
TK9106	844	2281.5	930	1587	73	4	30

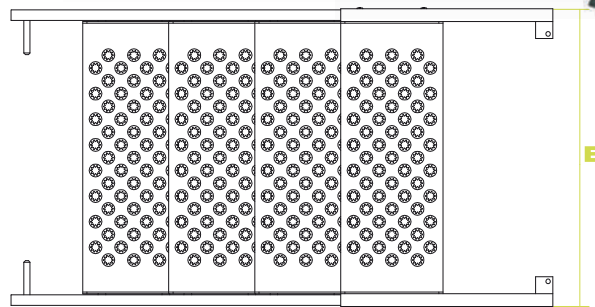
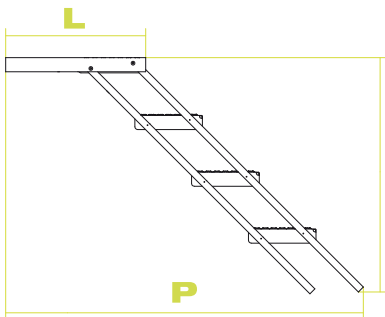
PULL UP LADDER WITH WIDE STEPS

Pull up Access Ladder with Wide Steps - Hot Galvanised or Zinc Plated

Code	Dimensions (mm)				Steps	Weight (kg)
	L	P	B	H		
ZINC PLATED						
TK9110	497	x 1068	x 706	x 641	3	19
TK9115	497	x 1270	x 706	x 844	4	24.5
TK9120	497	x 1470	x 706	x 1046	5	26
TK9125	497	x 1672	x 706	x 1046	6	36
HOT GALVANISED						
TK9130	497	x 1068	x 706	x 641	3	19
TK9135	497	x 1270	x 706	x 844	4	24.5
TK9140	497	x 1470	x 706	x 1046	5	26
TK9145	497	x 1672	x 706	x 1240	6	36



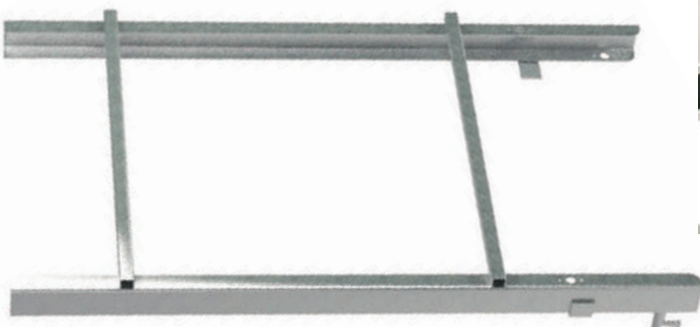
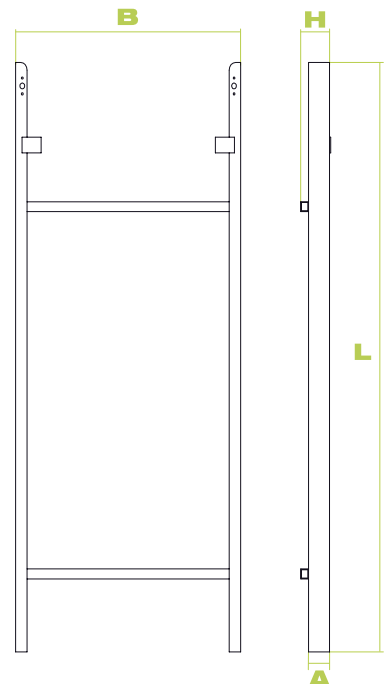
These ladders can be produced to specific widths and dimensions with galvanised steel or aluminium steps



LADDER FRAME FOR PULL UP ACCESS LADDER

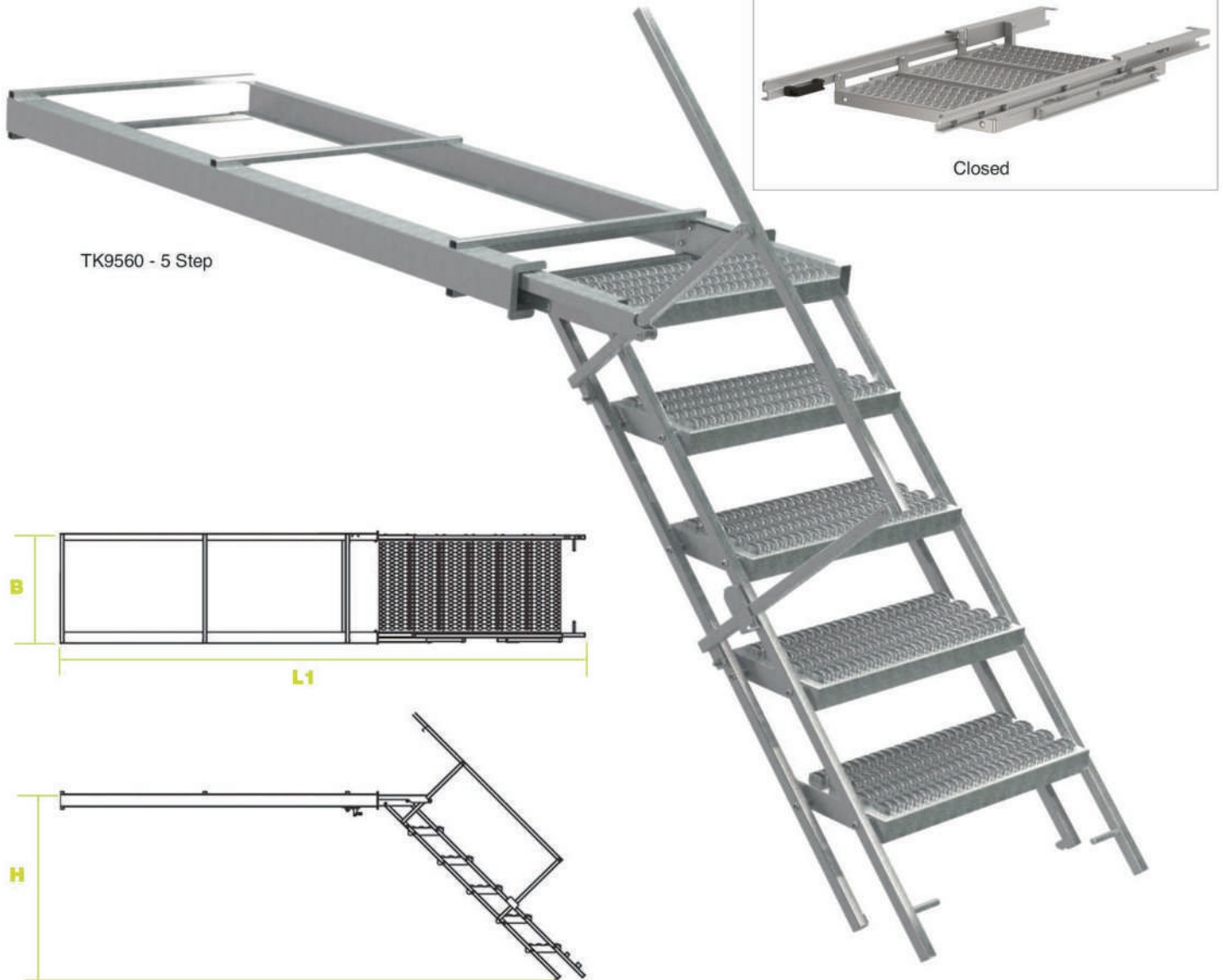
Ladder Frame Pull up Access Ladder - Hot Galvanised or Zinc Plated. Fits to TK9110 - TK9145

Code	Dimensions (mm)				Weight (kg)
	L	A	B	H	
ZINC PLATED					
TK9720	1210	x 66	x 716	x 100	9.56
TK9725	2065	x 66	x 716	x 100	14.5
HOT GALVANISED					
TK9710	1210	x 66	x 716	x 100	10.0
TK9715	2065	x 66	x 716	x 100	16.5

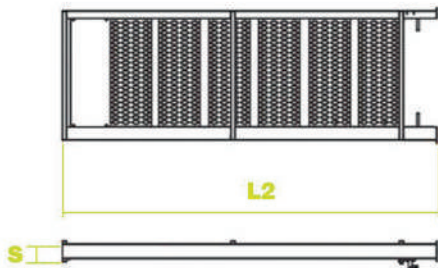
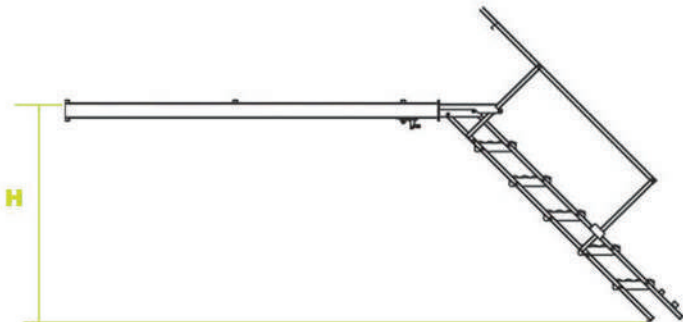
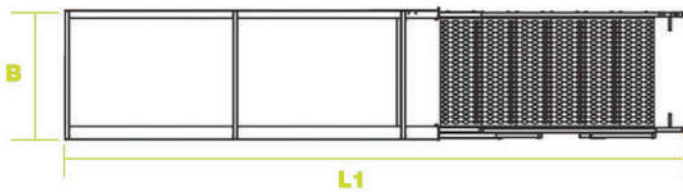
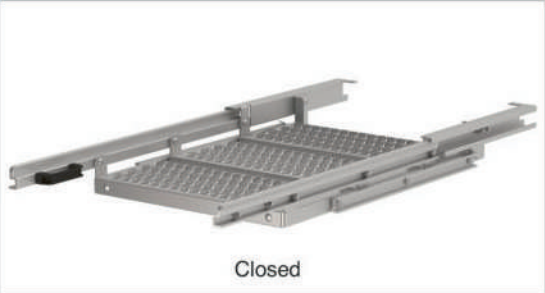


LADDER WITH HANDRAIL

Ladder with Handrail - Hot Galvanised



TK9560 - 5 Step

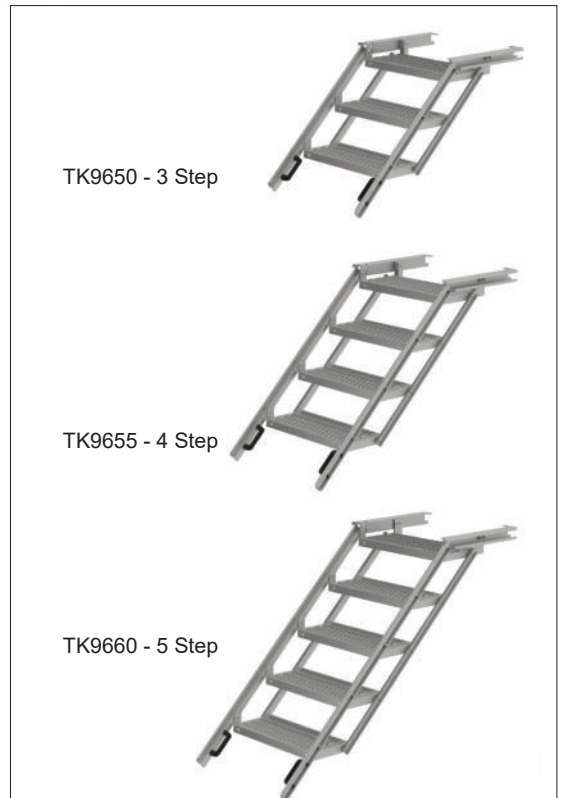
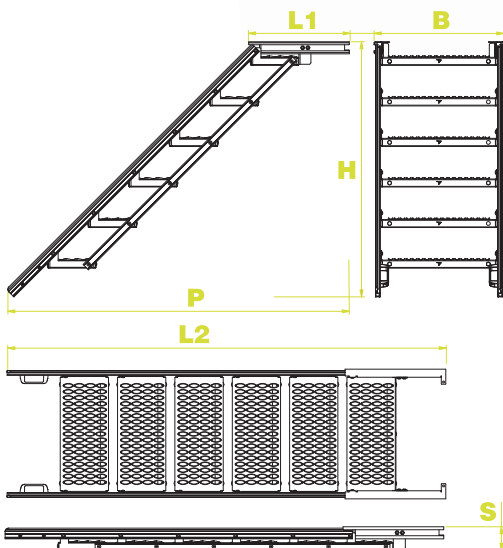
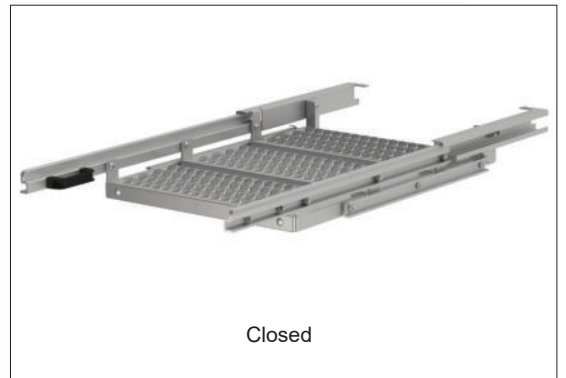


Code	Dimensions mm					Steps	Weight kg
	B	L1	L2	H	S		
TK9550	757	2150	1330	689.5	122	3	41
TK9555	757	2636	1615	891	122	4	46.5
TK9560	757	3120	1900	1093	122	5	50
TK9565	757	3606	2185	1294	122	6	61.5

PULLOUT LADDER WITH LARGE STEP

Pullout Ladder with Large Step - Aluminium

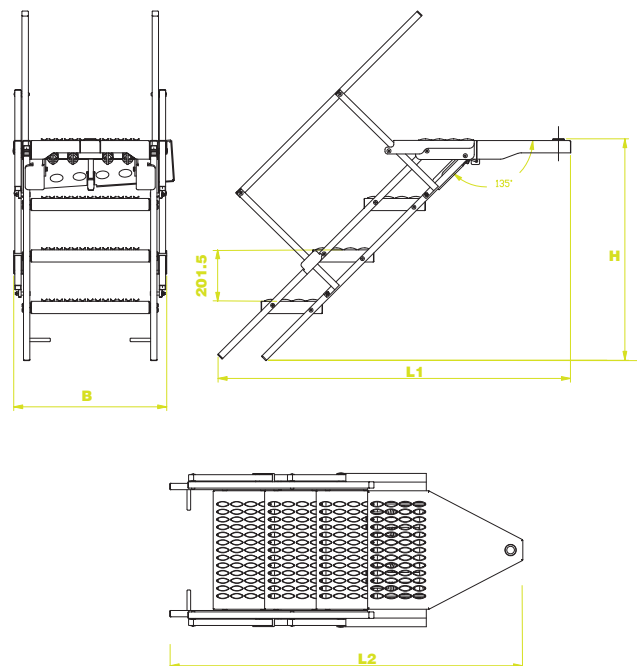
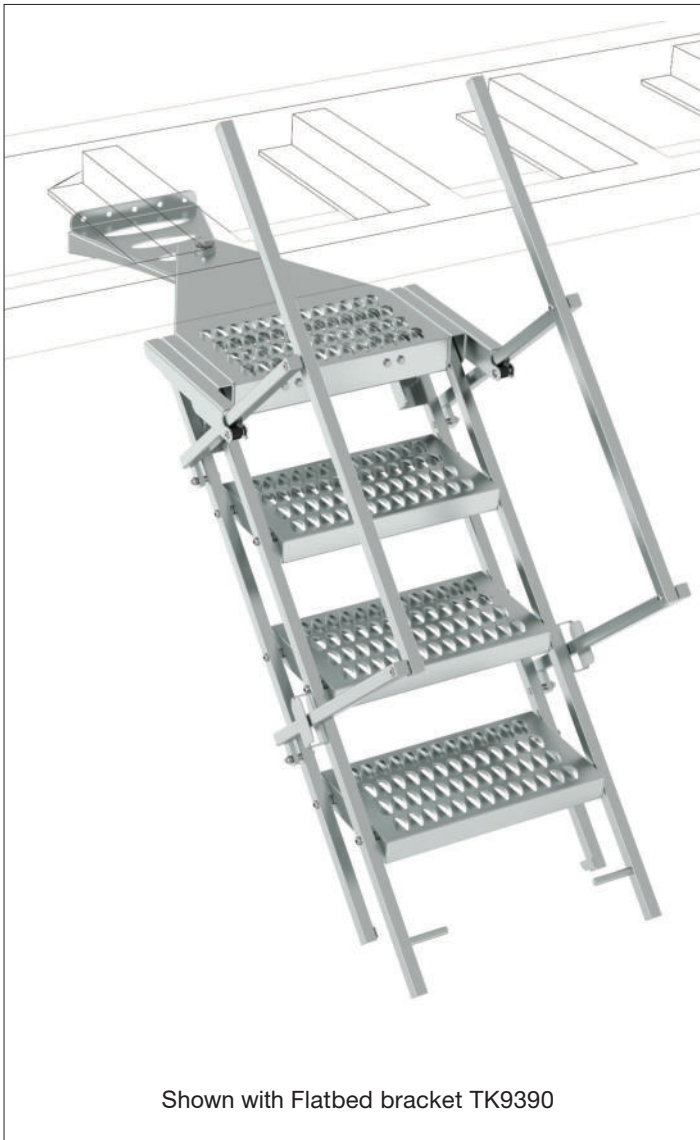
TK9665 - 6 Step



Code	Dimensions mm						Steps	Weight kg
	B	L1	H	P	L2	S		
TK9650	644.2	500	663.7	1091.6	1324	117.5	3	12
TK9655	644.2	500	864	1293	1609	117.5	4	15
TK9660	644.2	500	1066.9	1494.6	1894	117.5	5	18
TK9665	644.2	500	1268.1	1696.4	2179	117.5	6	20.5

ROTATING LADDER WITH WIDER STEPS WITH HANDRAILS

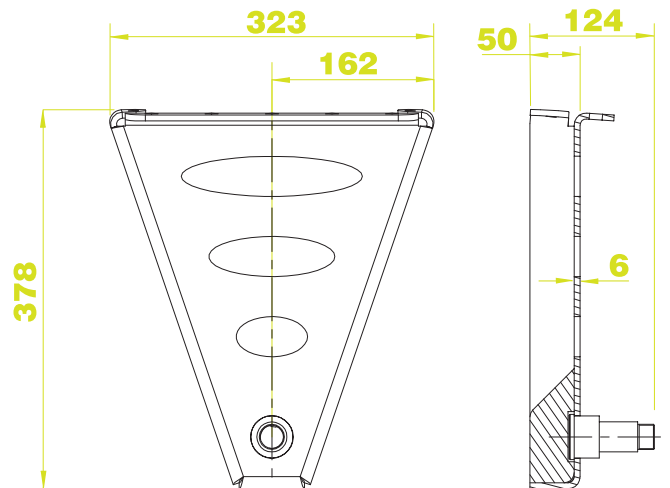
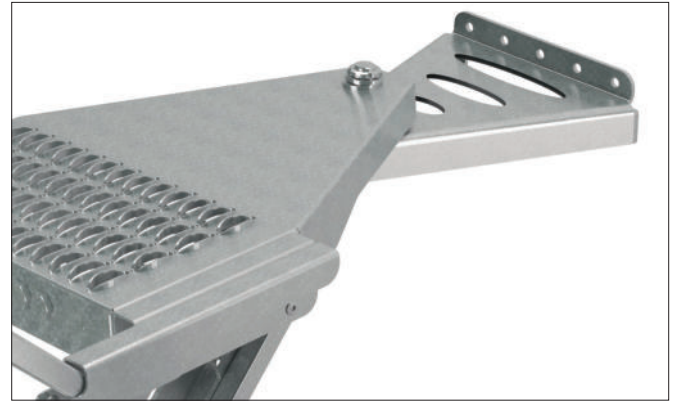
Rotating Ladder with 4 wide steps and handrails - Hot Galvanised or Stainless Steel



Code	Dimensions mm				Steps	Weight kg
	B	L1	L2	H		
HOT GALVANISED						
TK9355	600	1380	1707	866	125	43
TK9365	600	1564	1988	1069	125	50
TK9375	600	1766	2273	1271	125	56
STAINLESS STEEL						
TK9360	600	1380	1707	866	125	40
TK9370	600	1564	1988	1069	125	47.5
TK9380	600	1766	2273	1271	125	53

FLATBED BRACKET FOR ROTATING LADDER

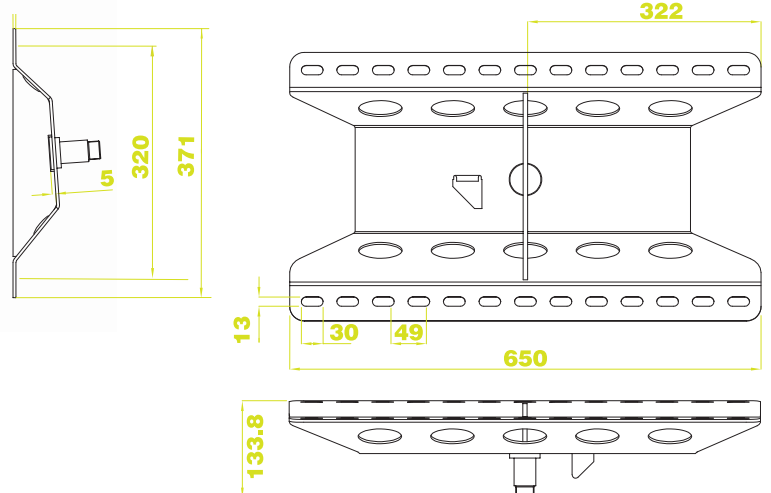
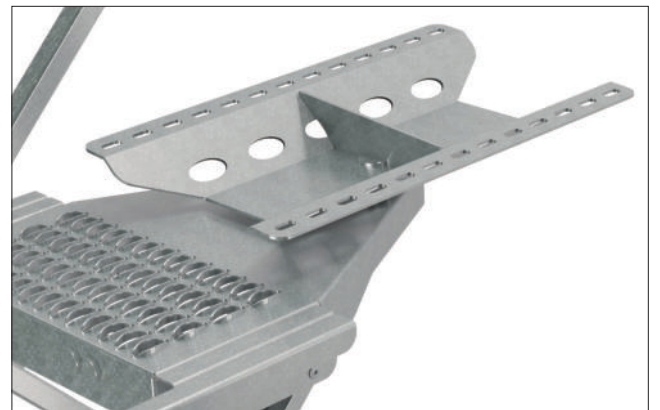
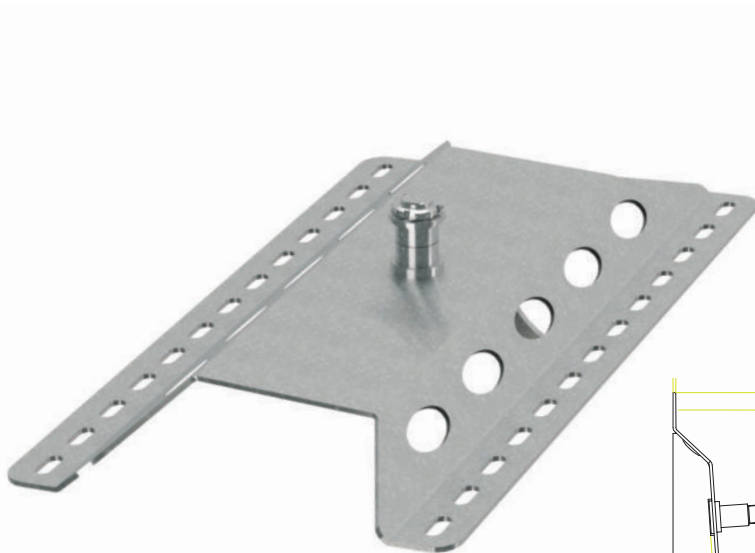
Flatbed bracket - Hot Galvanised



Code	Dimensions mm			Weight kg
	L	H	B	
TK9390	323	378	124	5.8

CHASSIS BRACKET FOR ROTATING LADDER

Chassis bracket - Hot Galvanised



Code	Dimensions mm			Weight kg
	L	H	B	
TK9395	650	371	120	7.8