

# SIDEGUARD SYSTEMS

Fully Type Approved and Interchangeable LPD's

89/297/CEE



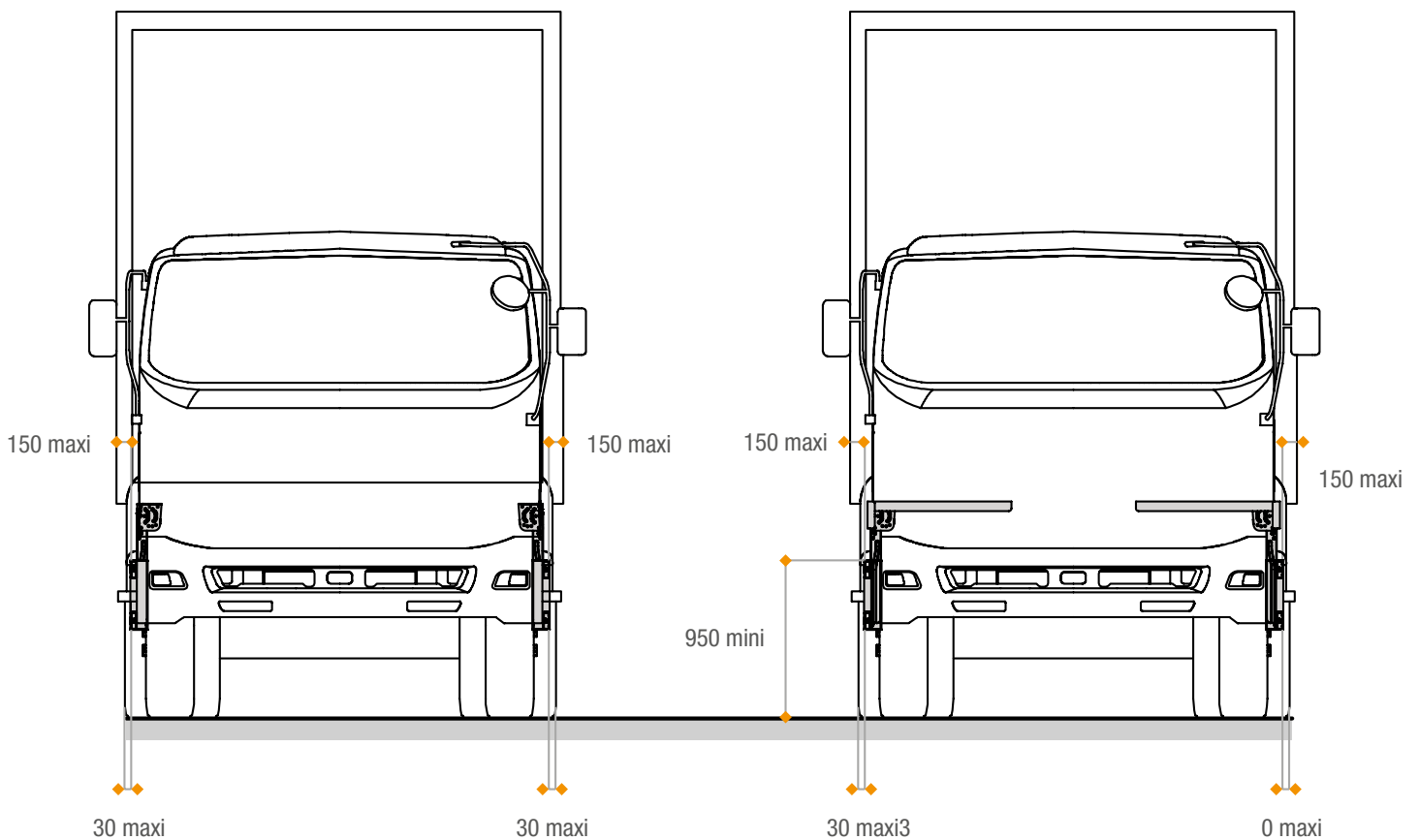
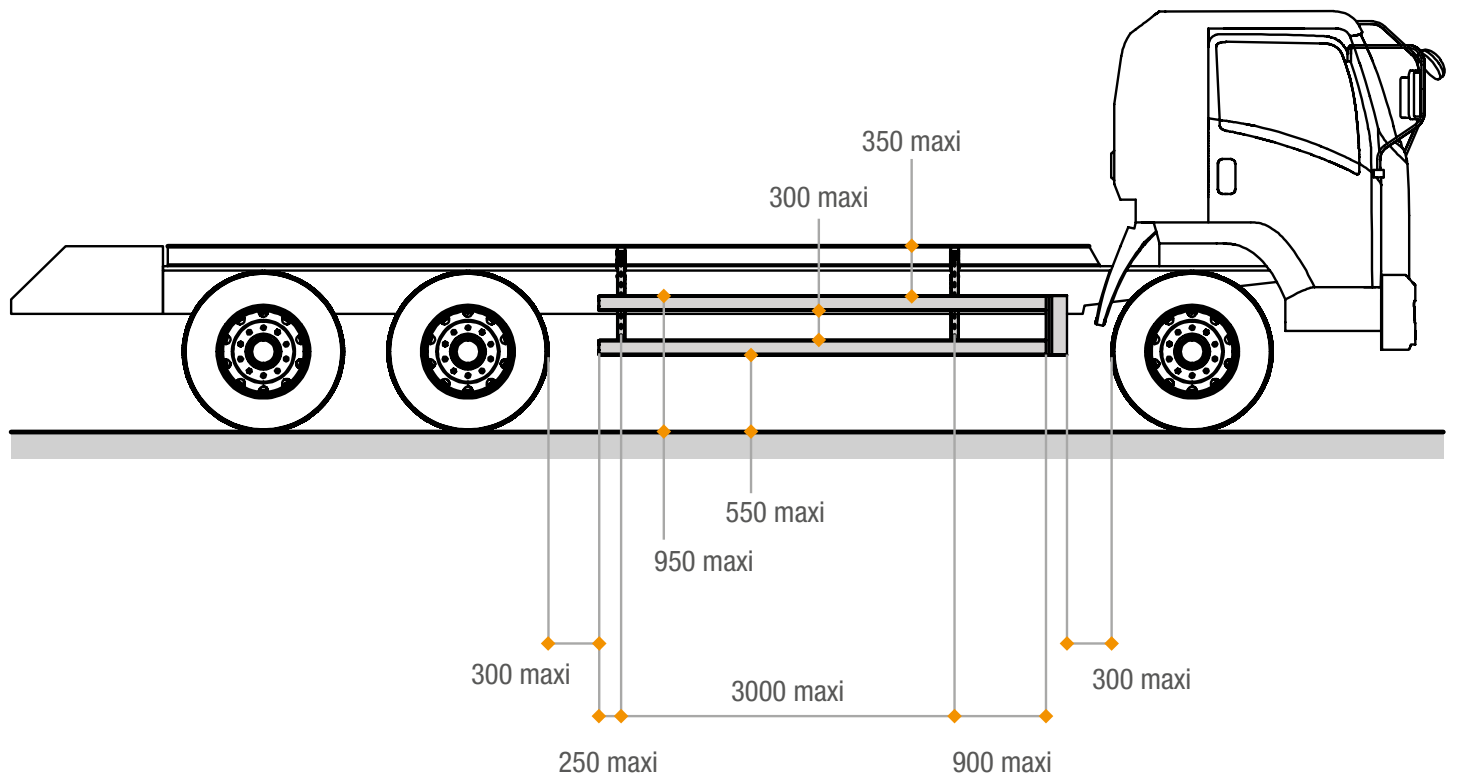
UTAC



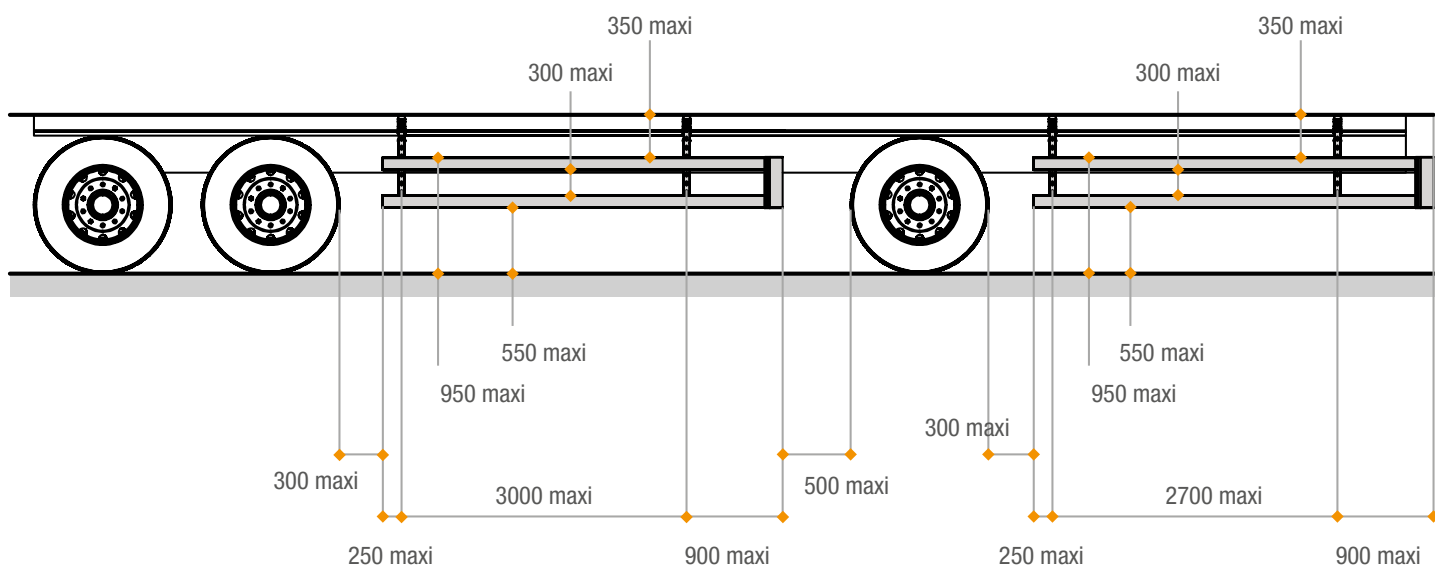
E11 73R-011025 - E11 73R-011028

# SIDEGUARD SYSTEMS - N2 & N3 CLASSES

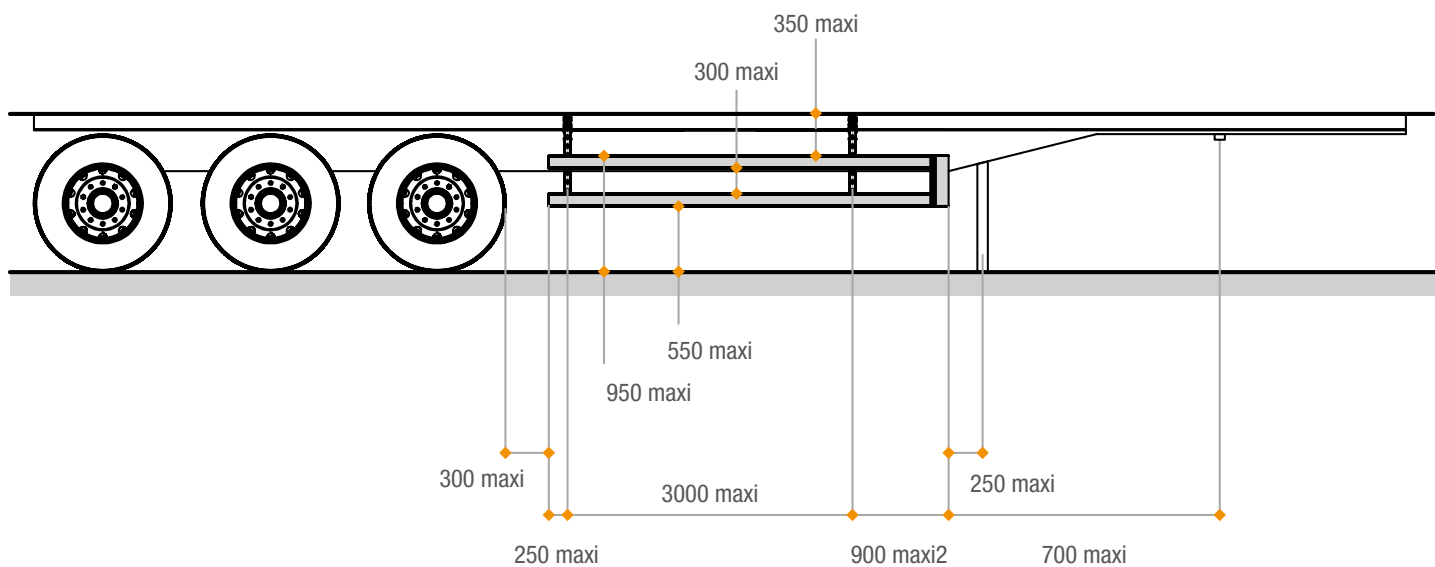
The following dimensions must be observed when installing the LPD (measurements in mm)



# SIDEGUARD SYSTEMS - TRAILERS O3 & O4 CLASSES



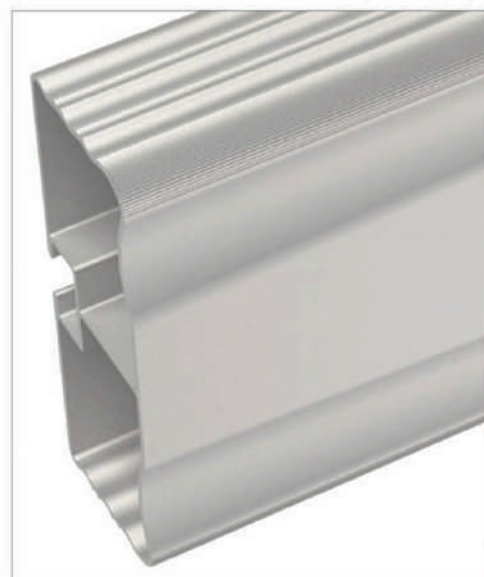
# SIDEGUARD SYSTEMS - SEMITRAILERS O3 & O4 CLASSES



# SIDEGUARD RAIL ALUMINIUM Fully Type Approved and Interchangeable LPD's

Anodised Aluminium Sideguards for protection

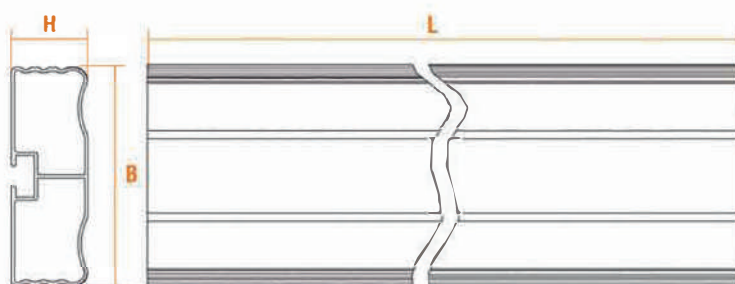
89/297/CEE     
E11 73R-011025 - E11 73R-011028



Sideguard Aluminium Rail shown with Aluminium Header



Code	Dimensions mm			Weight kg
	L	B	H	
TK1205	2750	100	35	3.44
TK1210	3500	100	35	4.41
TK1215	4000	100	35	5.04
TK1220	4500	100	35	5.67
TK1225	5000	100	35	6.03
TK1230	5500	100	35	6.93
TK1235	6000	100	35	7.56
TK1240	6500	100 </td <td>35</td> <td>8.19</td>	35	8.19



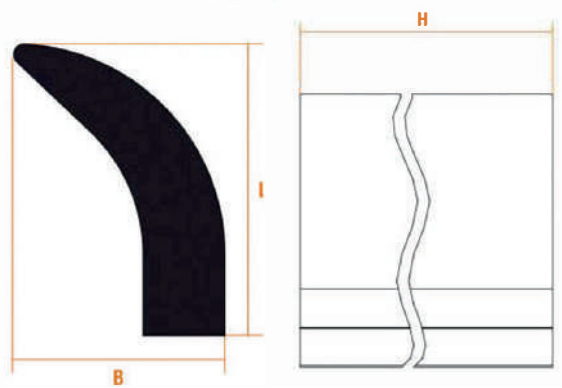
# ANODISED ALUMINIUM FRONT HEADERS Fully Type Approved and Interchangeable LPD's

Anodised Aluminium front headers



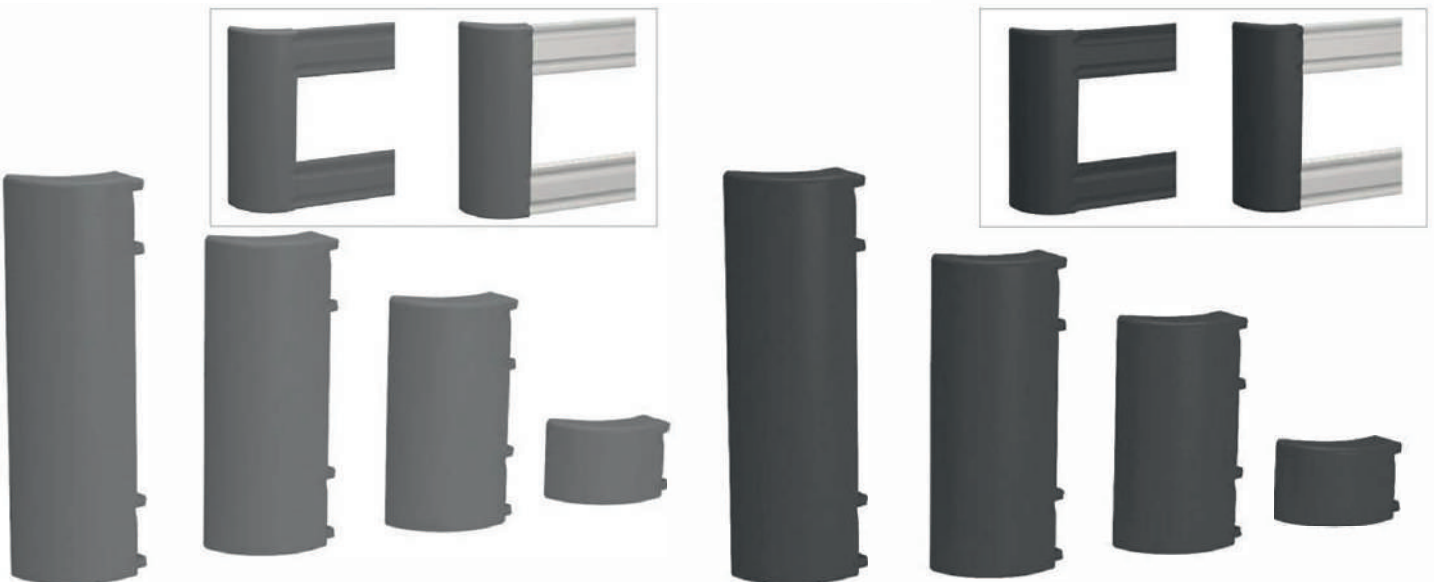
Code	Dimensions mm			Weight kg
	L	B	H	
TK1310	140	100	100	0.24
TK1320	140	100	300	0.64
TK1330	140	100	400	0.84
TK1340	140	100	500	1.04

**ALSO AVAILABLE IN KITS**



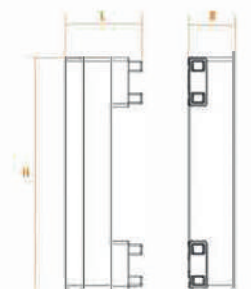
# GREY & BLACK FRONT HEADERS Fully Type Approved and Interchangeable LPD's

Grey or Black Plastic end protection caps



Code	Dimensions mm			Weight kg	Code	Dimensions mm			Weight kg
	L	B	H			L	B	H	
<b>GREY</b>					<b>BLACK</b>				
TK1027	140	100	100	0.16	TK1028	140	100	100	0.16
TK1032	140	100	300	0.41	TK1033	140	100	300	0.41
TK1037	140	100	400	0.51	TK1038	140	100	400	0.51
TK1042	140	100	500	0.59	TK1043	140	100	500	0.59

**ALSO AVAILABLE IN KITS**



## CAPS FOR ALUMINIUM SIDEGUARD RAILS

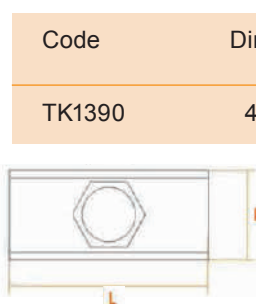
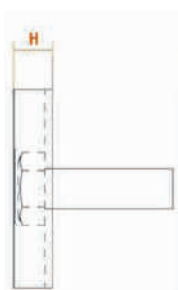
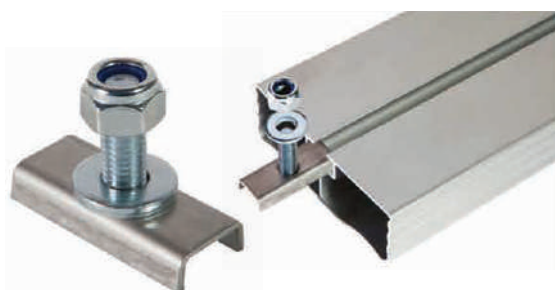
### Aluminium End Cap Sideguard Rail



Code	Colour	Dimensions (mm)			Weight kg
		L	B	H	
TK1380	Black	100	35	30	0.03

## ALUMINIUM SIDEGUARD FIXING KIT

### Aluminium Sideguard Rail Fixing Kit

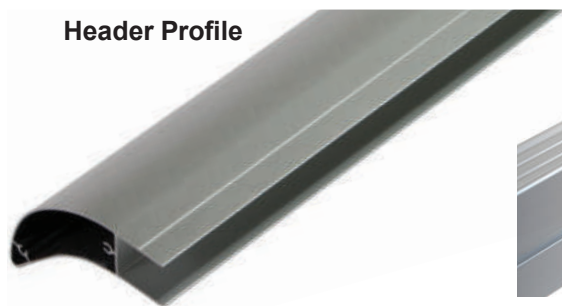


Code	Dimensions (mm)			Weight kg
	L	B	H	
TK1390	40	13.4	6.2	0.04

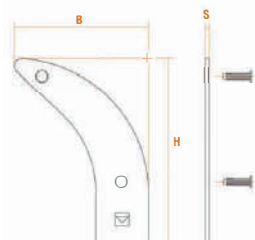
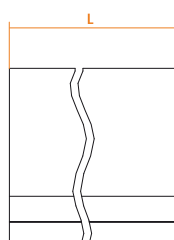
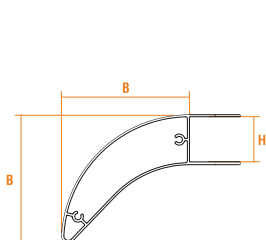
## ANODISED ALUMINIUM HEADER PROFILE & END CAP

Aluminium header profiles and end caps for aluminium side protecting bars - Fully Type Approved and interchangeable LPD's.

Header Profile



Header End Cap



Code		Dimensions (mm)			Weight (kg)
		L	B	H	
TK1350	Profile	3000	100	35	4.32
TK1360	Profile	6500	100	35	9.35
TK1385	End cap	140	100	3	0.02

# ALUMINIUM SIDEGUARD HEADER KITS

Aluminium Header Kits with all parts needed for fitting - Fully Type Approved and Interchangeable LPD's



Kit TL134001 illustrated



Kit TL131001

## Code and Contents per kit

### TL134001

(500mm Aluminium Sideguard Header Kit Comprised of 2 x TK1340 500mm Aluminium Headers, 8 x TK1390 Aluminium Sideguard Rail Fixing Inserts, 4 x TK1380 Black Plastic End Caps)

### TL133001

(400mm Aluminium Sideguard Header Kit Comprised of 2 x TK1330 400mm Aluminium Headers, 8 x TK1390 Aluminium Sideguard Rail Fixing Inserts, 4 x TK1380 Black Plastic End Caps)

### TL132001

(300mm Aluminium Sideguard Header Kit Comprised of 2 x TK1320 300mm Aluminium Headers, 8 x TK1390 Aluminium Sideguard Rail Fixing Inserts, 4 x TK1380 Black Plastic End Caps)

### TL131001

(100mm Aluminium Sideguard Header Kit Comprised of 2 x TK1310 100mm Aluminium Headers, 4 x TK1390 Aluminium Sideguard Rail Fixing Inserts, 2 x TK1380 Black Plastic End Caps)

# PLASTIC SIDEGUARD HEADER KITS FOR ALUMINIUM & MAGNELIS RAILS

Plastic Header Kits with all parts needed for fitting - Fully Type Approved and Interchangeable LPD's



Kit TL104200 illustrated



Kit TL102700

## Code and Contents per kit

### TL104200

500mm Plastic Sideguard Header Kit Comprised of 2 x TK1042 500mm Grey Plastic Headers, 8 x TK1090 Plastic Sideguard Rail Fixing Inserts, 4 x TK1095 Grey Plastic End Caps

### TL103700

400mm Plastic Sideguard Header Kit Comprised of 2 x TK1037 400mm Grey Plastic Headers, 8 x TK1090 Plastic Sideguard Rail Fixing Inserts, 4 x TK1095 Grey Plastic End Caps

### TL103200

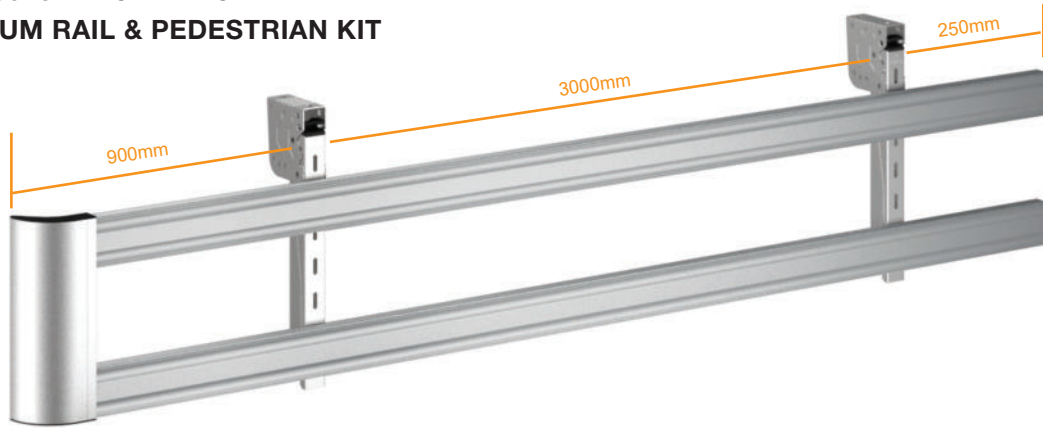
300mm Plastic Sideguard Header Kit Comprised of 2 x TK1032 300mm Grey Plastic Headers, 8 x TK1090 Plastic Sideguard Rail Fixing Inserts, 4 x TK1095 Grey Plastic End Caps

### TL102700

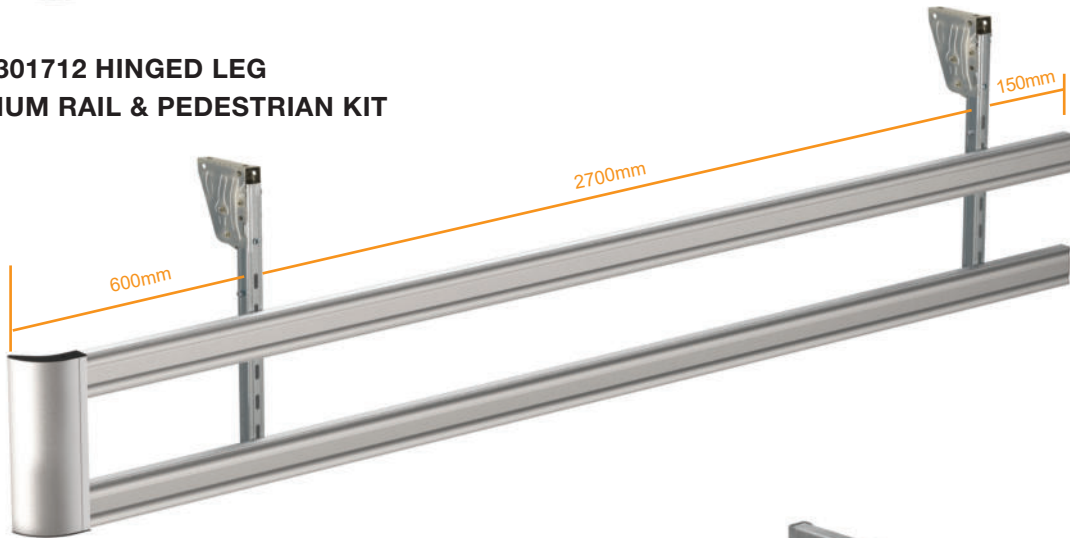
100mm Plastic Sideguard Header Kit Comprised of 2 x TK1027 100mm Plastic Headers, 4 x TK1090 Plastic Sideguard Rail Fixing Inserts, 2 x TK1095 Grey Plastic End Caps

# COMMON LPD POSITIONS

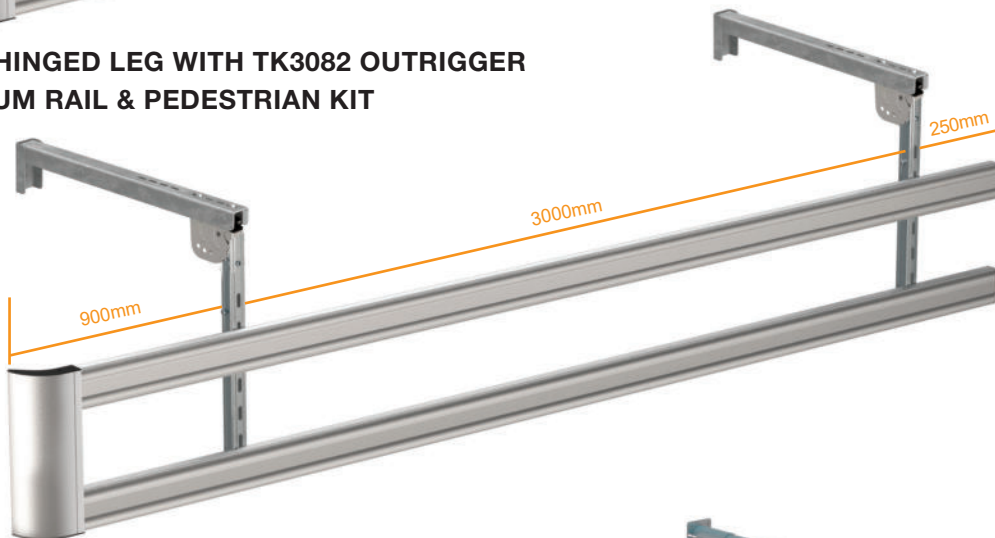
**MAGNELIS TK3025 HINGED LEG  
WITH ALUMINIUM RAIL & PEDESTRIAN KIT**



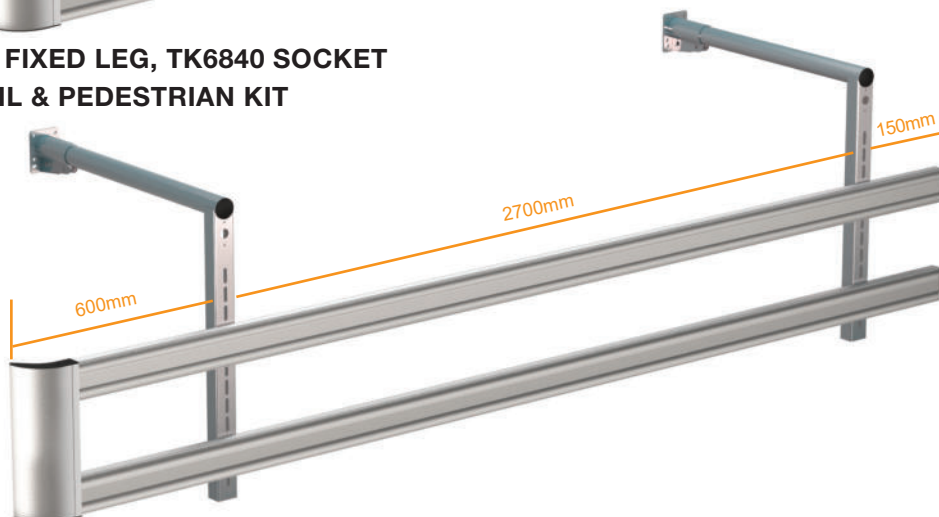
**MAGNELIS TL301712 HINGED LEG  
WITH ALUMINIUM RAIL & PEDESTRIAN KIT**



**MAGNELIS TK3025 HINGED LEG WITH TK3082 OUTRIGGER  
BRACKET ALUMINIUM RAIL & PEDESTRIAN KIT**



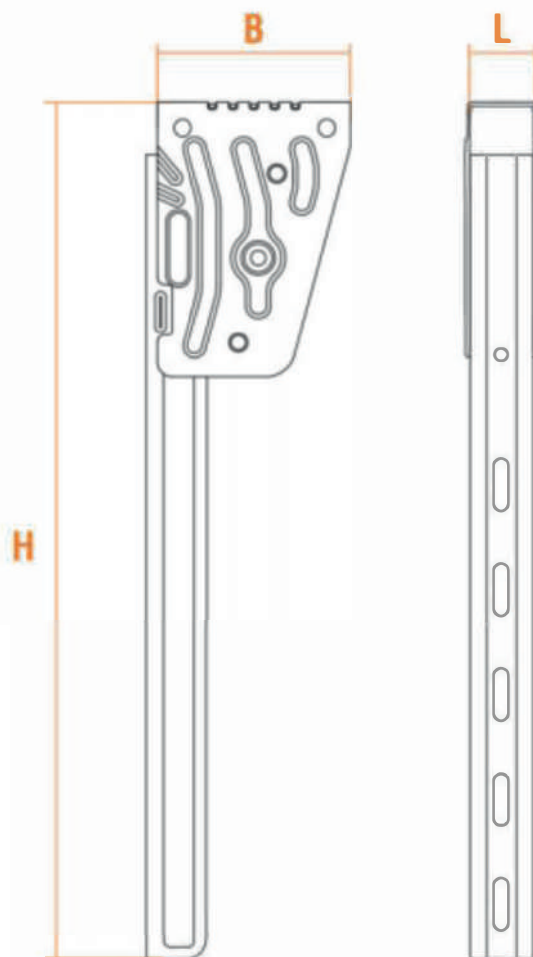
**ZINC PLATED TK3054 FIXED LEG, TK6840 SOCKET  
WITH ALUMINIUM RAIL & PEDESTRIAN KIT**



# HINGED SIDEGUARD BRACKETS Fully Type Approved and Interchangeable LPD's

Hinged brackets for sideguards in Magnelis, Galvanised, Stainless Steel and Black Powder Coated Fully Type Approved and Interchangeable LPD's

89/297/CEE     
E11 73R-011025 - E11 73R-011028

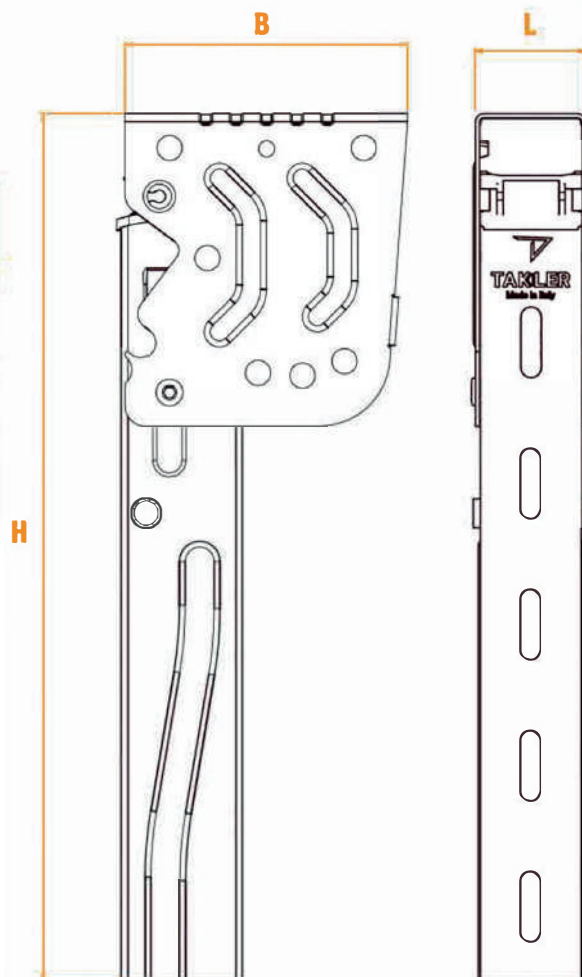
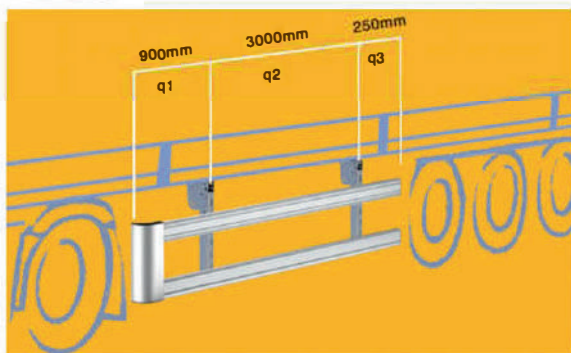


Code	Description	Dimensions (mm)			Weight kg
		L	B	H	
TL301206	Magnelis	46	136	430	1.3kg
TL301223	Magnelis	46	136	492	1.4kg
TL301208	Magnelis	46	136	572	1.50
TL301712	Magnelis	46	136	710	2.20
TK3032	Stainless Steel	46	136	572	1.50
TK3037	Stainless Steel	46	136	710	1.70
TK3042	Black Powder Coated	46	136	572	1.96
TK3047	Black Powder Coated	46	136	710	2.27

# HIGH RATED HINGED BRACKETS Fully Type Approved and Interchangeable LPD's

High rated hinged brackets for sideguards in Magnelis, Stainless Steel and Black Powder Coated  
Fully Type Approved and Interchangeable LPD's

89/297/CEE     
E11 73R-011025 - E11 73R-011028

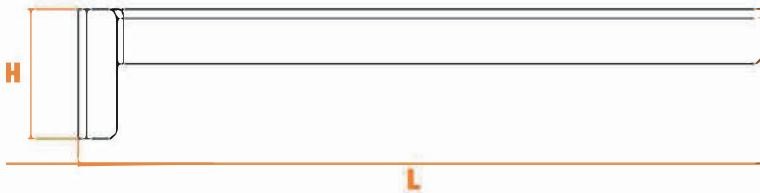


Code	Material	Dimensions mm			Weight kg
		IL	B	H	
TK3021	Magnelis	54.7	140	430	0.80
TK3023	Magnelis	54.7	140	572	1.80
TK3025	Magnelis	54.7	140	710	2.00
TK3029	Magnelis	54.7	140	790	2.00
TK3034	Stainless Steel	54.7	140	572	1.60
TK3038	Stainless Steel	54.7	140	710	1.80
TK3039	Stainless Steel	54.7	140	790	2.00
TK3044	Black Powder Coated	54.7	140	572	1.73
TK3048	Black Powder Coated	54.7	140	710	1.95
TK3049	Black Powder Coated	54.7	140	790	2.00

# ADJUSTABLE CHASSIS MOUNTING BRACKET

Adjustable Chassis mounting Brackets for hinged sideguards legs. Fully Type Approved and Interchangeable LPD's

89/297/CEE     
E11 73R-011025 - E11 73R-011028

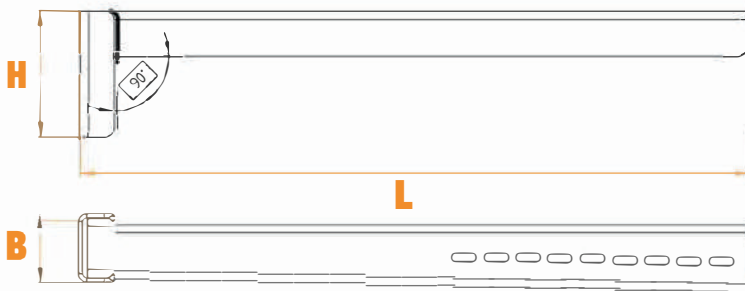
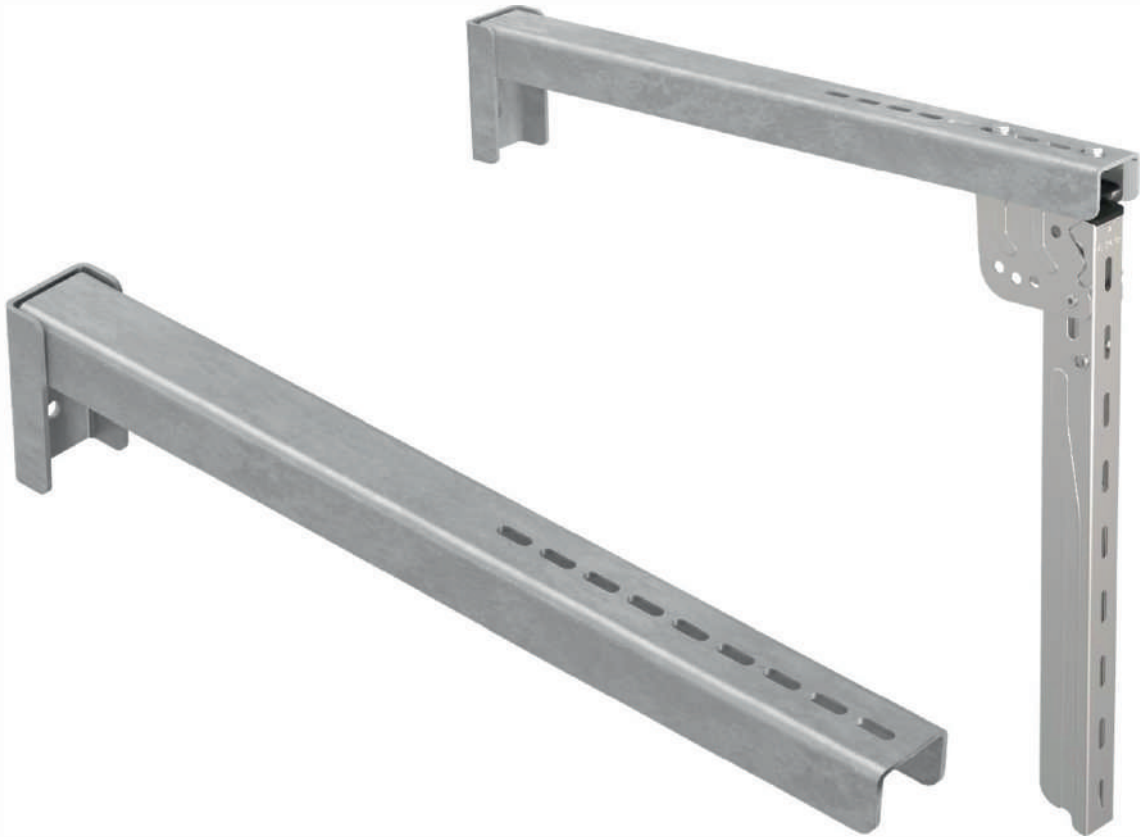


Code	Finish	Dimensions mm			Weight kg
		L	B	H	
TK3080	Steel	800	73	150	3.75
TK308002	Galvanised	800	73	150	3.85

# ADJUSTABLE CHASSIS MOUNTING BRACKET

Steel and Galvanised Adjustable Chassis Mounting Brackets for High Rated Hinged Side-guard Legs. Fully Type Approved and Interchangeable LPD's

89/297/CEE     
E11 73R-011025 - E11 73R-011028

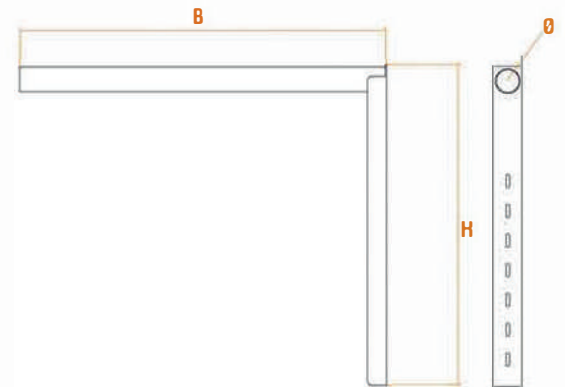


Code	Finish	Dimensions mm			Weight kg
		L	B	H	
TK3082	Steel	800	83	150	5.82
TK3084	Zinc Plated	800	83	150	5.82
TK3086	Galvanised	800	83	150	5.82

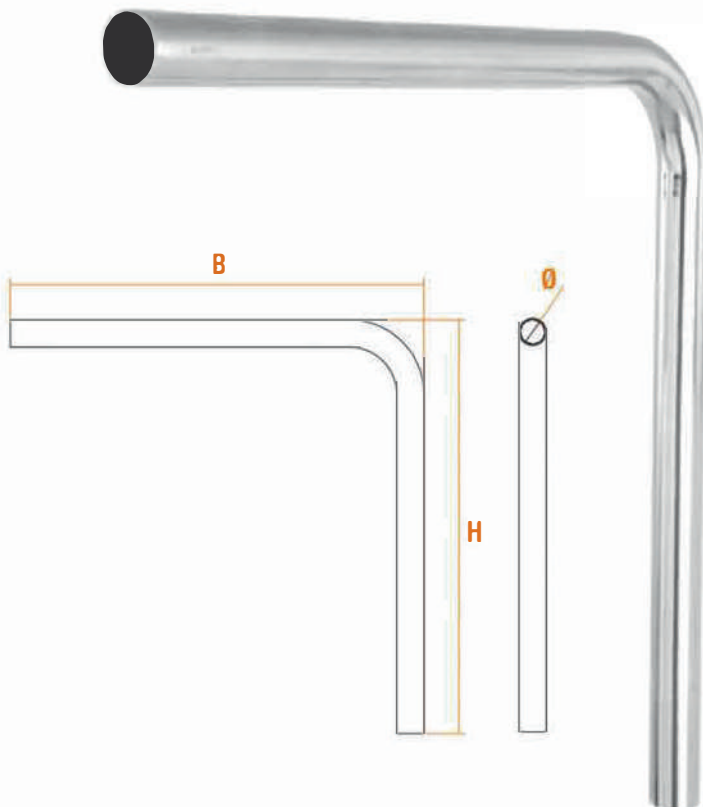
# FIXED SIDEGUARD BRACKETS

Fixed Zinc Plated Brackets for sideguards - Fully Type Approved and Interchangeable LPD's

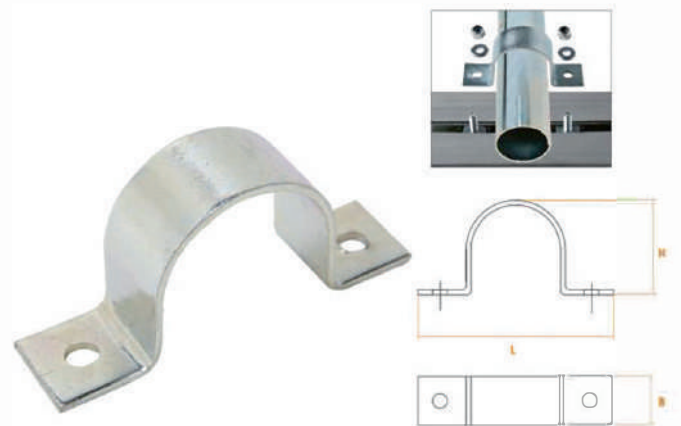
89/297/CEE     
E11 73R-011025 - E11 73R-011028



Code	Dimensions mm		Weight kg
	Ø	B H	
TK3050	54	802 x 700	3.71
TK3054	54	800 x 800	3.50



Code	Dimensions mm		Weight kg
	Ø	B H	
TK3060	54	810 x 810	3.75



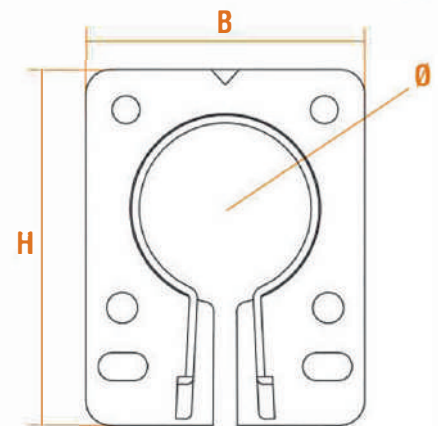
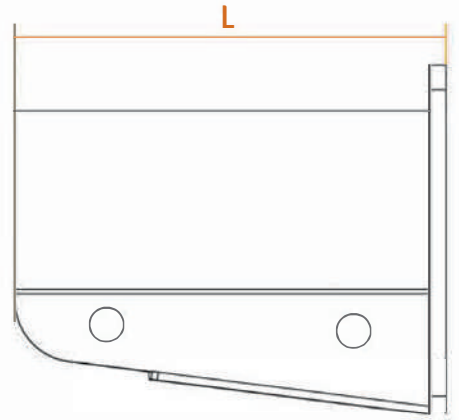
Code	Dimensions mm			Weight kg
	L	B	H	
TK1085	120	30	56	0.13



Code	Dimensions mm		Weight kg
	Ø	L	
TK9950	54	26	0.01

## BRACKET SUPPORT ZINC PLATED

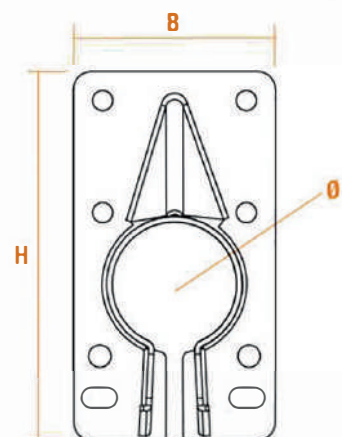
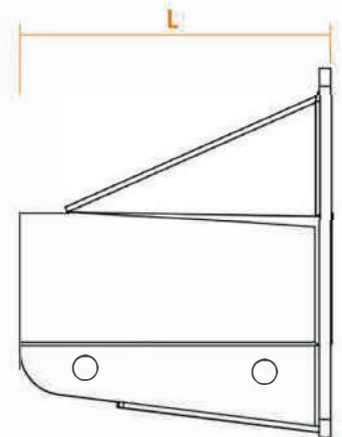
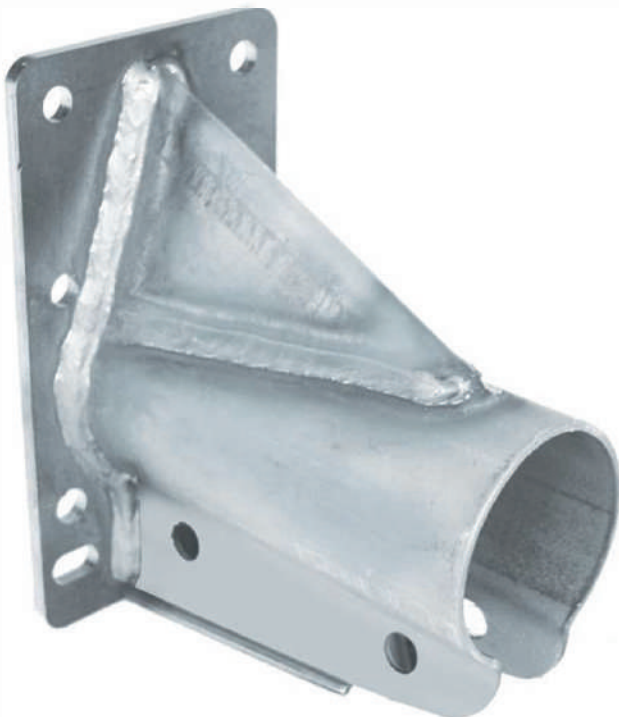
Zinc Plated Supports for sideguard Brackets - Fully Type Approved and Interchangeable LPD's



Code	Dimensions mm			Ø	Weight kg
	L	B	H		
TK6840	139	90	115	54	0.90

## REINFORCED BRACKET SUPPORT ZINC PLATED

Zinc Plated Supports for sideguard Brackets - Fully Type Approved and Interchangeable LPD's



Code	Dimensions mm			Ø	Weight kg
	L	B	H		
TK684007	139	90	165	54	0.90

## PLASTIC SUPPORT FOR ADJUSTABLE BRACKET

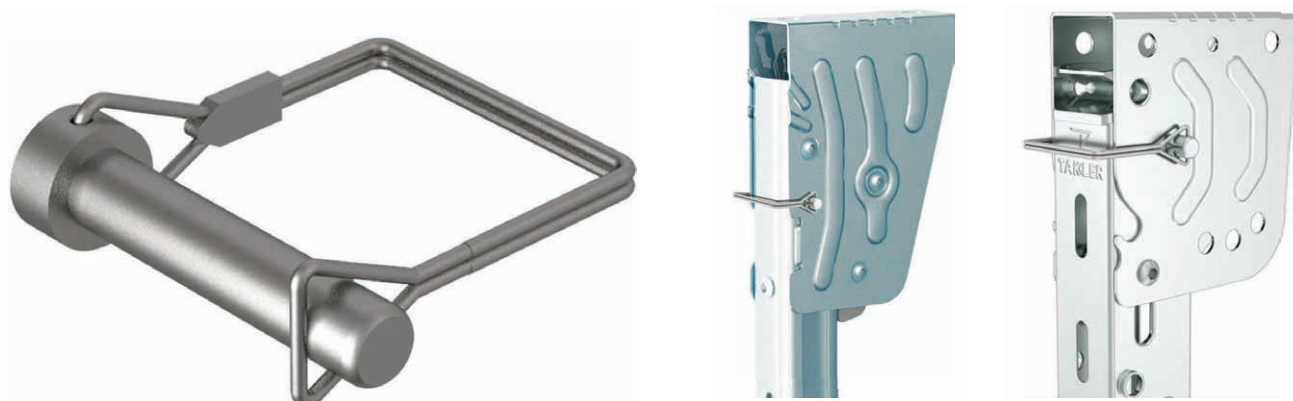
Plastic Support for adjustable brackets - Fully Type Approved and Interchangeable LPD's



Code	Dimensions (mm)			Weight (kg)
	L	B	H	
TK3090 (see p i12)	130	41	32	0.08
TK3092 (see p i13)	136	42	32	0.07

## EXTRA PIN FOR HINGED BRACKET

Extra pin for brackets (see p J9) - Fully Type Approved and Interchangeable LPD's



Code		Dimensions (mm)			Weight (kg)
		L	Ø	H	
TK5000016	Zinc plated	68	12	64.5	0.07
TK5000032	Stainless steel	68	12	64.5	0.07




## EXTRA PIN FOR HIGHER RATED HINGED BRACKET

Extra pin for brackets (see p J10) - Fully Type Approved and Interchangeable LPD's



Code		Dimensions (mm)			Weight (kg)
		L	Ø	H	
TK5000103	Stainless steel	68.5	19	57	0.07
TK5000102	Zinc plated	68.5	19	57	0.07
TK50000350	Plastic	68.5	19	57	0.05

# VCA TYPE APPROVAL SUMMARY

PRODUCT CODE	NEW HINGED BRACKET 	RAIL TYPE		
		ALUMINIUM	MAGNELIS	PLASTIC
TK3004 TK3008	POLISHED STAINLESS STEEL - 572mm POLISHED STAINLESS STEEL - 710mm	73R-011026 EXT 02 73R-011026 EXT 02	73R-011026 EXT 02 73R-011026 EXT 02	73R-011028 EXT 02 73R-011028 EXT 02
TK3034 TK3038 TL303800	STAINLESS STEEL - 572mm STAINLESS STEEL - 710mm STAINLESS STEEL - 790mm	73R-011026 EXT 02 73R-011026 EXT 02 73R-011026 EXT 02	73R-011026 EXT 02 73R-011026 EXT 02 73R-011026 EXT 02	73R-011028 EXT 02 73R-011028 EXT 02 73R-011028 EXT 02
TK3014 TK3018 TL301800	ZINC PLATED - 572mm ZINC PLATED - 710mm ZINC PLATED - 790mm	73R-011025 EXT 03 73R-011025 EXT 03 73R-011025 EXT 03	73R-011025 EXT 03 73R-011025 EXT 03 73R-011025 EXT 03	73R-011027 EXT 02 73R-011027 EXT 02 73R-011027 EXT 02
TK3011 TK3013 TK3015 TK3019	ZINC PLATED - 430mm ZINC PLATED - 572mm ZINC PLATED - 710mm ZINC PLATED - 790mm	<b>N/A</b> 73R-011025 EXT 03 73R-011025 EXT 03 73R-011025 EXT 03	<b>N/A</b> 73R-011025 EXT 03 73R-011025 EXT 03 73R-011025 EXT 03	<b>N/A</b> 73R-011027 EXT 02 73R-011027 EXT 02 73R-011027 EXT 02
TK3021 TK3023 TK3025 TK3029	MAGNELIS STEEL - 430mm MAGNELIS STEEL - 572mm MAGNELIS STEEL - 710mm MAGNELIS STEEL - 790mm	<b>N/A</b> 73R-011025 EXT 03 73R-011025 EXT 03 73R-011025 EXT 03	<b>N/A</b> 73R-011025 EXT 03 73R-011025 EXT 03 73R-011025 EXT 03	<b>N/A</b> 73R-011027 EXT 02 73R-011027 EXT 02 73R-011027 EXT 02
TK3024 TK3028 TL302800	HOT GALVANIZED - 572mm HOT GALVANIZED - 710mm HOT GALVANIZED - 790mm	73R-011025 EXT 03 73R-011025 EXT 03 73R-011025 EXT 03	73R-011025 EXT 03 73R-011025 EXT 03 73R-011025 EXT 03	73R-011027 EXT 02 73R-011027 EXT 02 73R-011027 EXT 02
TK3044 TK3048 TL304800	BLACK POWDER COATED - 572mm BLACK POWDER COATED - 710mm BLACK POWDER COATED - 790mm	73R-011025 EXT 03 73R-011025 EXT 03 73R-011025 EXT 03	73R-011025 EXT 03 73R-011025 EXT 03 73R-011025 EXT 03	73R-011027 EXT 02 73R-011027 EXT 02 73R-011027 EXT 02
TK3082	ROUGH SUPPORTING SLOTTED ADJUSTABLE 800 x 150 x 82.7mm	73R011025 EXT 03 73R-011026 EXT 02 73R-011027 EXT 02 73R-011028 EXT 02	73R-011025 EXT 03 73R-011026 EXT 02 73R-011027 EXT 02 73R-011028 EXT 02	73R-011025 EXT 03 73R-011026 EXT 02 73R-011027 EXT 02 73R-011028 EXT 02
PRODUCT CODE	CURRENT HINGED BRACKETS 	RAIL TYPE		
		ALUMINIUM	MAGNELIS	PLASTIC
TL301208 TL301712	MAGNELIS - 572mm MAGNELIS - 710mm	73R-011025 EXT_04 73R-011025 EXT_04	73R-011025 EXT_04 73R-011025 EXT_04	<b>N/A</b> <b>N/A</b>
TK3022 TK3027	HOT GALVANIZED STEEL - 572mm HOT GALVANIZED STEEL - 710mm	73R-011025 EXT_02 73R-011025 EXT_02	73R-011025 EXT_02 73R-011025 EXT_02	73R-011027 EXT_01 73R-011027 EXT_01
TK3042 TK3047	BLACK POWDER COATED STEEL - 572mm BLACK POWDER COATED STEEL - 710mm	73R-011025 EXT_02 73R-011025 EXT_02	73R-011025 EXT_02 73R-011025 EXT_02	73R-011027 EXT_01 73R-011027 EXT_01
TK3032 TK3037	STAINLESS STEEL - 572mm STAINLESS STEEL - 710mm	73R-011026 EXT_01 73R-011026 EXT_01	<b>N/A</b> <b>N/A</b>	73R-011028 EXT_01 73R-011028 EXT_01
TK3035 TK3040	POLISH STAINLESS STEEL - 572mm POLISH STAINLESS STEEL - 710mm	73R-011026 EXT_01 73R-011026 EXT_01	<b>N/A</b> <b>N/A</b>	73R-011028 EXT_01 73R-011028 EXT_01
TK3080	SUPPORTING SLOTTED BRACKET ADJUSTABLE 800 x 150 x 74mm	73R011025 EXT 02 73R-011026 EXT 01 73R-011027 EXT 01 73R-011-028 EXT 01	73R011025 EXT 02 73R-011026 EXT 01 73R-011027 EXT 01 73R-011-028 EXT 01	73R011025 EXT 02 73R-011026 EXT 01 73R-011027 EXT 01 73R-011-028 EXT 01
PRODUCT CODE	FIXED BRACKETS 	RAIL TYPE		
		ALUMINIUM	MAGNELIS	PLASTIC
TK3050	ZINC PLATED 800 x 700mm WITH TK6840 SUPPORT	73R-011025 EXT 02	73R-011025 EXT01	73R-011027 EXT 01
TK3052	ZINC PLATED 600 x 492mm WITH TK6810 SUPPORT	73R-011025 EXT 02	73R-011025 EXT01	73R-011027 EXT 01
TK3054	ZINC PLATED 800 x 800mm WITH TK6840 SUPPORT	73R-011025 EXT 02	73R-011025 EXT01	73R-011027 EXT 01