

FIRE EXTINGUISHER BOXES



E11 73R-011107

E11 73R-011168



EVOLUTION PLASTIC FIRE EXTINGUISHER BOX

Evolution **PLASTIC FIRE EXTINGUISHER** box, available with Fast-Mounting System. Includes ring clamp for extinguisher. Suitable for 6kg or 9kg extinguishers.

Evolution Plastic Fire Extinguisher boxes are approved as lateral protection devices (LPD).
The approval number for the boxes is: (E8) 73R-0112707

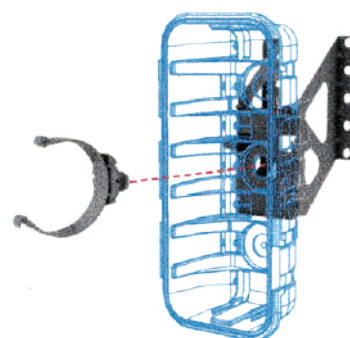
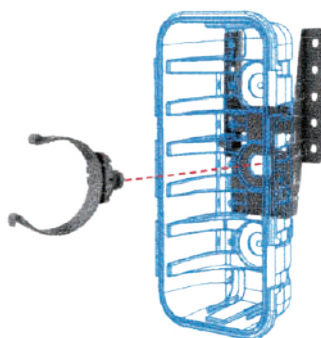
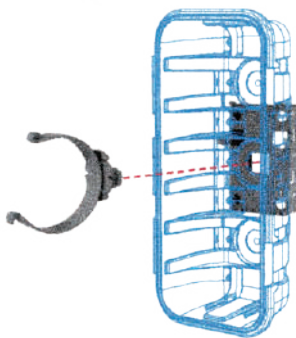
With
Fast-Mounting
bracket



Small Fast-Mounting bracket

Medium Fast-Mounting bracket

Large Fast-Mounting bracket



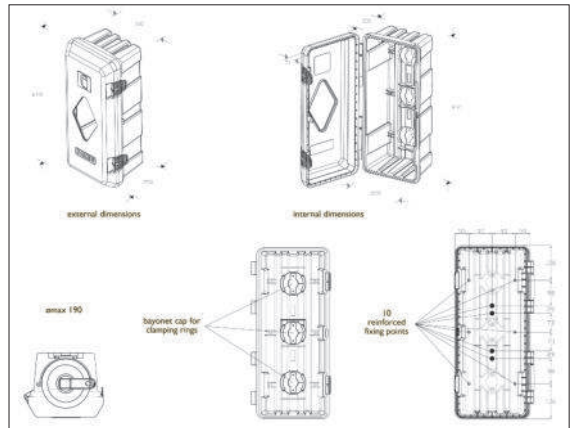
Code	Dimensions			Capacity kg	Weight kg	Type
	L	H	D			
E0 824	335 x 725 x 250			6 or 9	2.3	With Window
E0 99064	Small Fast-Fit Bracket			6 or 9	2.0	Black Painted Steel
E0 99062	Medium Fast-Fit Bracket			6 or 9	2.2	Black Painted Steel
E0 99060	Large Fast-Fit Bracket			6 or 9	2.4	Black Painted Steel

ADAMANT 6/9 kg FIRE EXTINGUISHER BOXES

Injection Moulded Polypropylene resin - High impact resistance to stress or breakage - Resistant to Weather - UV rays - Water



All Extinguisher boxes are approved as lateral protection devices (LPD).
The approval number for the toolboxes is: (E11) 73R-11168



Code	Body Colour	Lid Colour	Fire Extinguisher Dia size (mm)	Dimensions mm			Weight kg	Capacity kg
				L	H	D		
82030	Black	Red	170 to 190	310	671	247	4.0	6 or 9
82010	Black	Black	170 to 190	310	671	247	4.0	6 or 9

SLIDEN 6.9/12kg FIRE EXTINGUISHER BOXES

Injection Moulded Polypropylene resin - High impact resistance to stress or breakage - Resistant to Weather - UV rays - Water



82410/82420
with inspection window

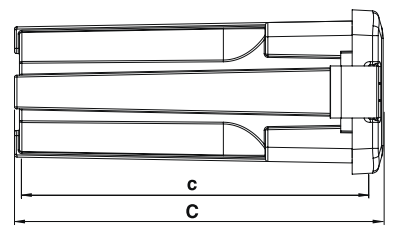
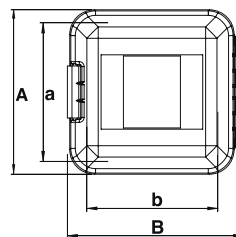
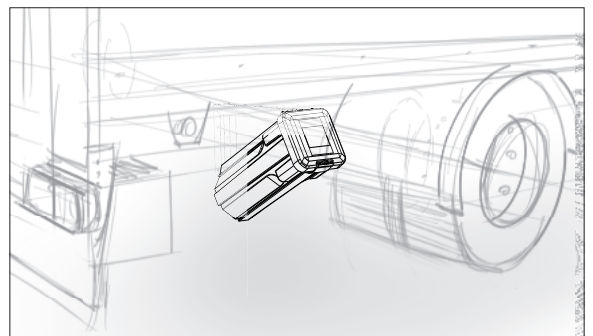
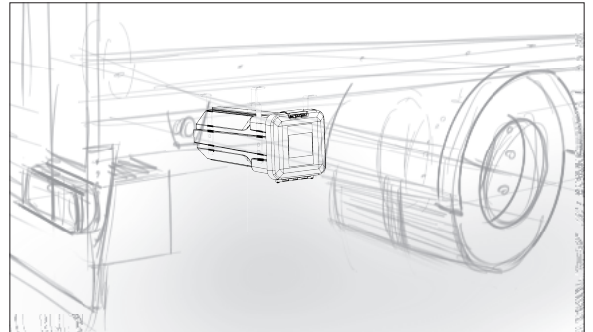


82411/21



82412/82422

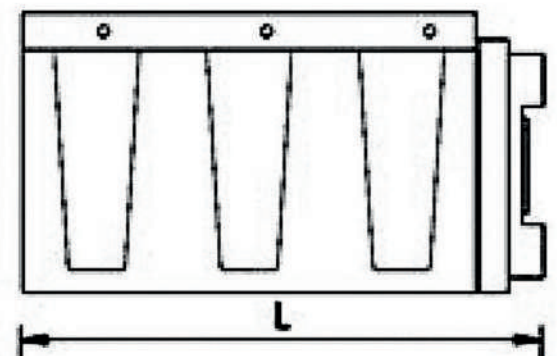
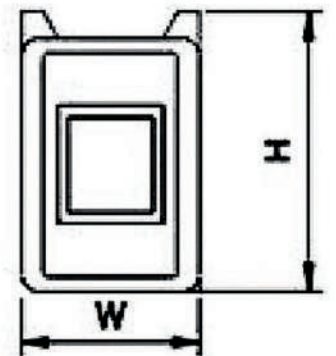
All Extinguisher boxes are approved as lateral protection devices (LPD).
The approval number for the toolboxes is: E11 73R-11168



Code	Colour	Fire Extinguisher	Dimensions mm			Weight kg	Capacity kg
			L	H	D		
82410*	Red	140 to 160	265	284	595	2.1	6
82411	Black	140 to 160	265	284	595	2.1	6
82412	Red	140 to 160	265	284	595	2.1	6
82420*	Red	9/12kgs	309	324	750	3.2	9/12
82421	Black	9/12kgs	309	324	750	3.2	9/12
82422	Red	9/12kgs	309	324	750	3.2	9/12

TOP LOADING FIRE EXTINGUISHER BOX

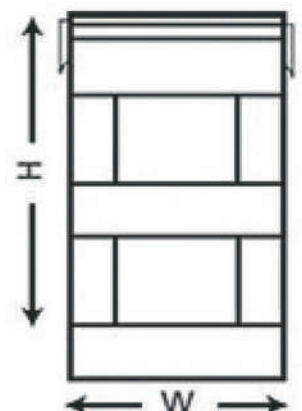
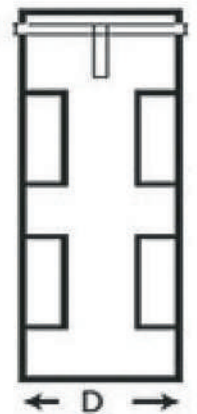
Red Top Loading Fire Extinguisher Box - High impact resistance to stress or breakage - Waterproof Seal



Code	Fire Extinguisher Dia size (mm)	Dimensions mm			Weight kg	Capacity kg
		L	H	D		
BJB24E	150 to 170	735	290	290	3.0	6 or 9

FIRE EXTINGUISHER BOX with UNIVERSAL FIXING KIT

Red Top Loading Fire Extinguisher Box - High impact resistance to stress or breakage - Waterproof Seal and Universal Fixing Kit with JS500 Anit-Corrosion Protection



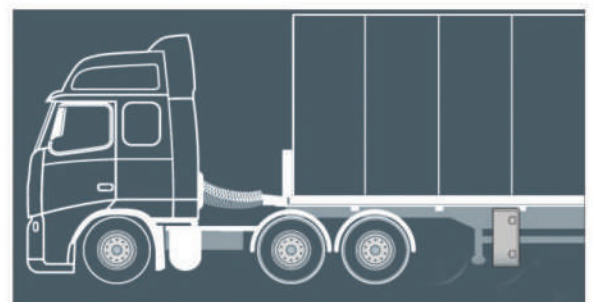
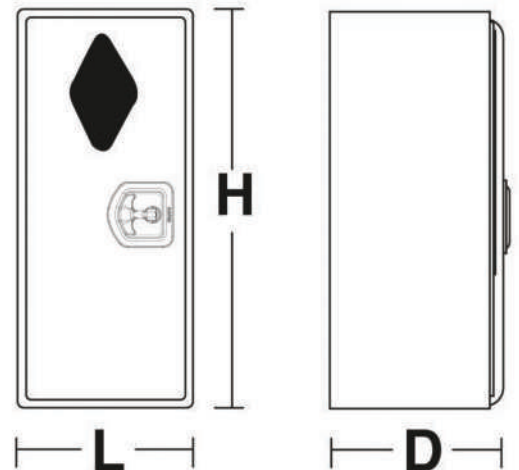
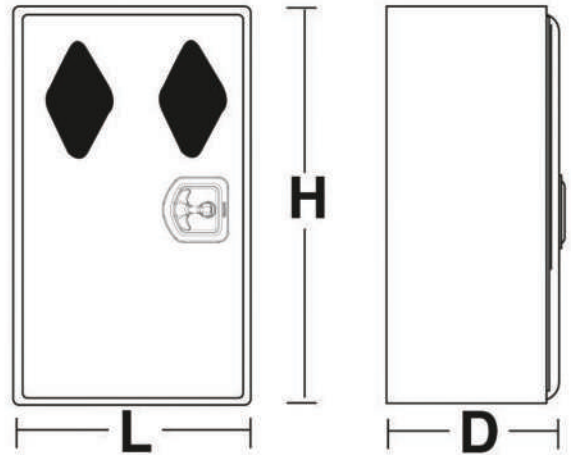
Code	Fire Extinguisher Dia size (mm)	Dimensions mm			Weight kg	Capacity kg
		L	H	D		
BJB20EF	150 to 170	510	280	220	3.0	6 or 9

POLISHED STAINLESS STEEL FIRE EXTINGUISHER BOX

Polished Stainless Steel Fire Extinguisher Box - Mechanical and Corrosion Resistant - Euroinox Locks - Single or Double size

These Fire Extinguisher boxes are approved as lateral protection devices (LPD).
 These products show the approval number on the side of the boxes. The approval number for the toolboxes is:

E11 73R-011107



Code	Fire Extinguisher Dia size (mm)	Dimensions mm			Weight kg	Capacity kg
		L	H	D		
V6540	160 to 180	300	700	300	12.7	6 or 9
V6550	160 to 180	470	700	300	16.7	6 or 9

BLACK POWDER COATED SUPPORT BRACKETS

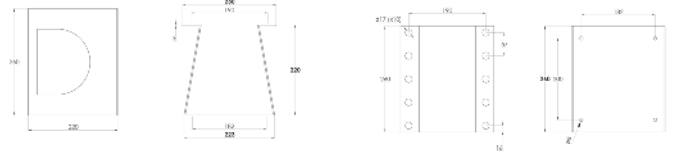
Black Powder Coated - Suitable for all our 6/9 & 12 kg Polypropylene Fire Extinguisher Boxes



All Extinguisher boxes are approved as lateral protection devices (LPD).
The approval number for the toolboxes is: (E11) 73R-11168

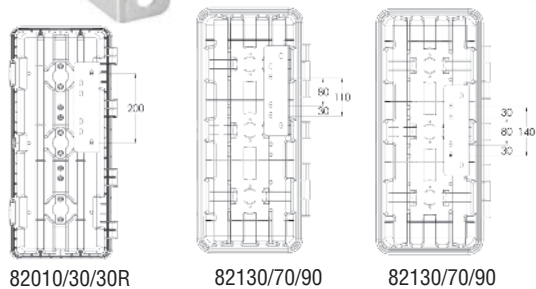


Code	Finish	Dimensions mm			Weight kg
		L	H	D	
88040	Black Powder Coated	230	x 260	x 220	3.6



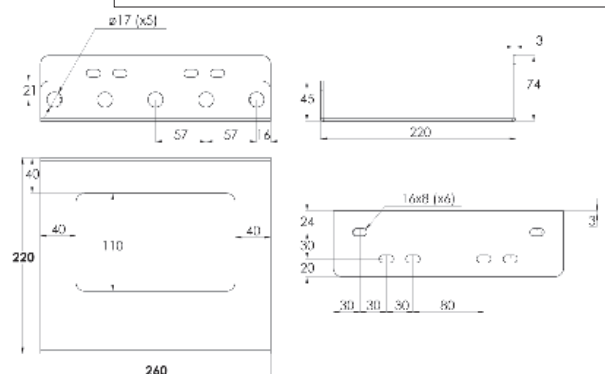
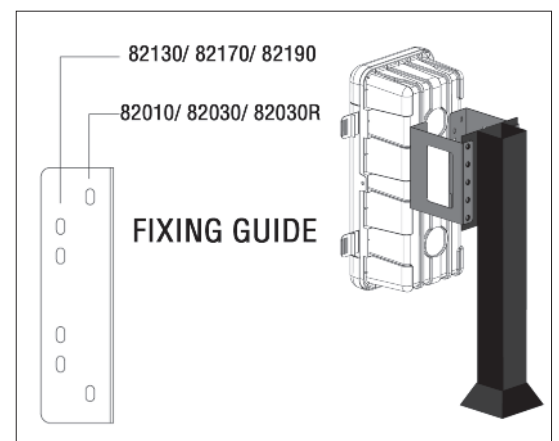
GALVANISED & ZINC PLATED SUPPORT BRACKETS

Galvanised or Zinc Plated Brackets - Suitable for all our 6/9 & 12 kg Polypropylene Fire Extinguisher Boxes



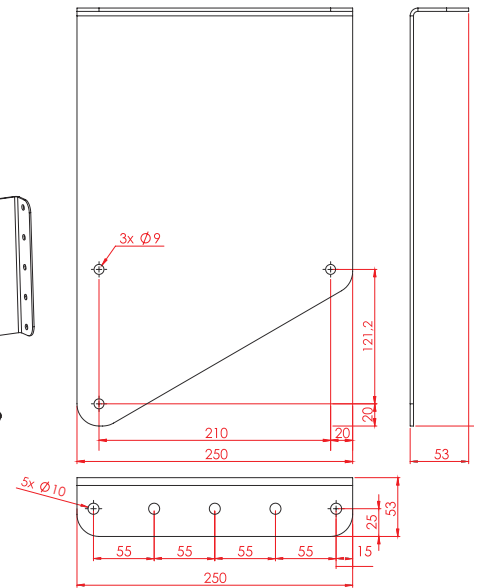
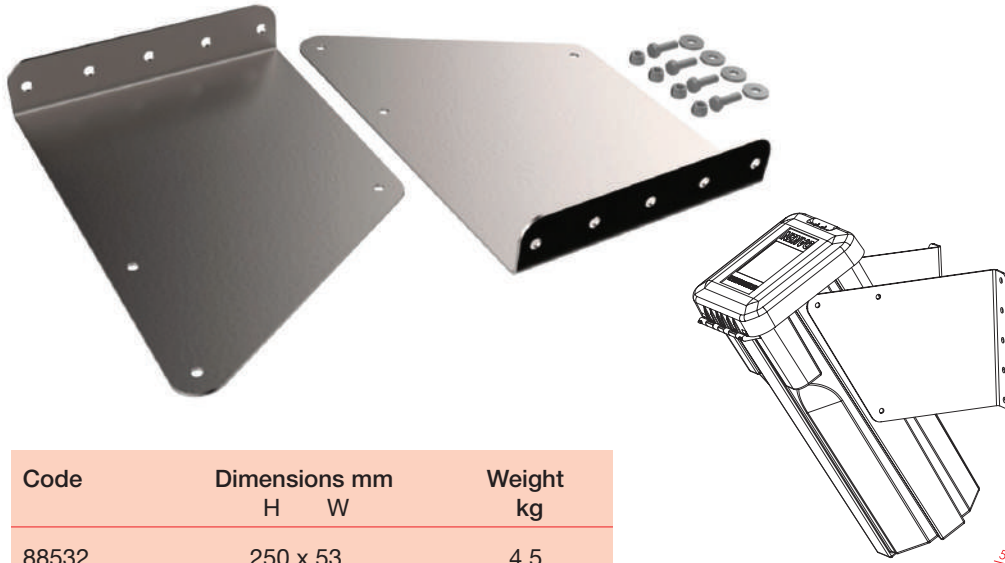
82010/30/30R 82130/70/90 82130/70/90

Code	Finish	Dimensions mm			Weight kg
		L	H	D	
88041	Galvanised	220	x 260	x 74	3.0
88042	Zinc Plated	220	x 260	x 74	3.0



HOT GALVANISED STEEL BOX SUPPORT BRACKETS

Hot galvanized steel brackets with GEOMET coated fixing kit for top loading fire extinguisher box.



Code	Dimensions mm		Weight kg
	H	W	
88532	250	53	4.5

DRY POWDER FIRE EXTINGUISHERS

A range of dry powder fire extinguisher sizes.



Clip-on wall mounting available with 1kg and 2kg extinguisher



Strap fitting wall mounting available with 3kg extinguisher

Code	Dimensions mm		Weight Full (kg)	Capacity kg	Fire Rating	Operating (Bar) Pressure at 20°C	Operating Temperature
	Height	Dia					
ITFIRE1	335	85	2.15	1	8A/55B	12	-30°C to +60°C
ITFIRE2	410	110	3.9	2	13A/70B	14	-30°C to +60°C
ITFIREPCE3	440	130	5.6	3	13A/89B	14	-30°C to +60°C
ITFIREPKM4	485	140	6.95	4	21A/113B	14	-30°C to +60°C
ITFIREPKM6	530	162	10.22	6	34A/233B	14	-30°C to +60°C
ITFIREPKM9	610	182	14.5	9	43A/233B	14	-30°C to +60°C