


DAKEN PLASTIC TOOLBOXES

 E11 73R-011168

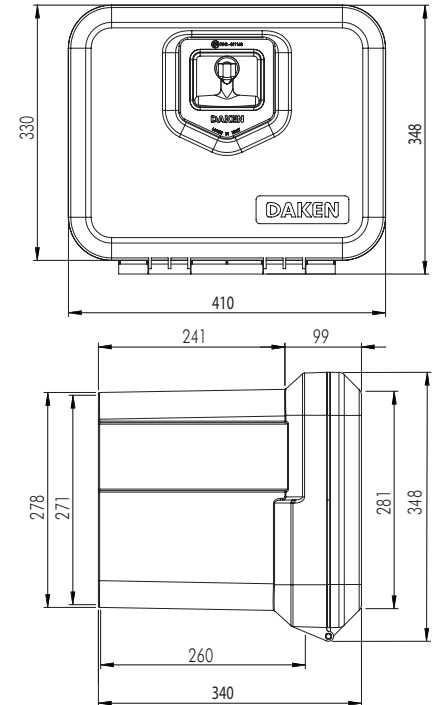


WELVET PLASTIC TOOLBOX 28 Lt CAPACITY

Velvet - Injection Moulded Polypropylene resin - Europlex Lock system - High impact resistance to stress or breakage - Resistant to Weather, UV rays & Water - 28 litre capacity.



Velvet toolboxes are approved as lateral protection devices (LPD).
The approval number for the toolboxes is: E11 73R-11168



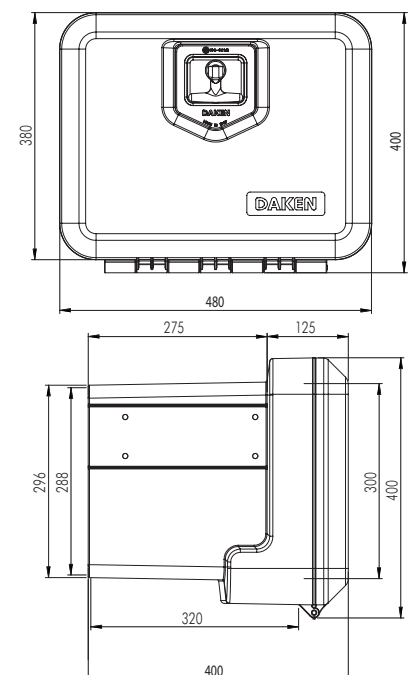
Code	Dimensions mm			Weight kg
	L	H	D	
81000	410	348	340	3.0
81000S	410 x 348 x 340 (with down struts)			3.0

WELVET PLASTIC TOOLBOX 39 Lt CAPACITY

Velvet - Injection Moulded Polypropylene resin - Europlex Lock system - High impact resistance to stress or breakage - Resistant to Weather, UV rays & Water - 39 litre capacity.



Velvet toolboxes are approved as lateral protection devices (LPD).
The approval number for the toolboxes is: E11 73R-11168



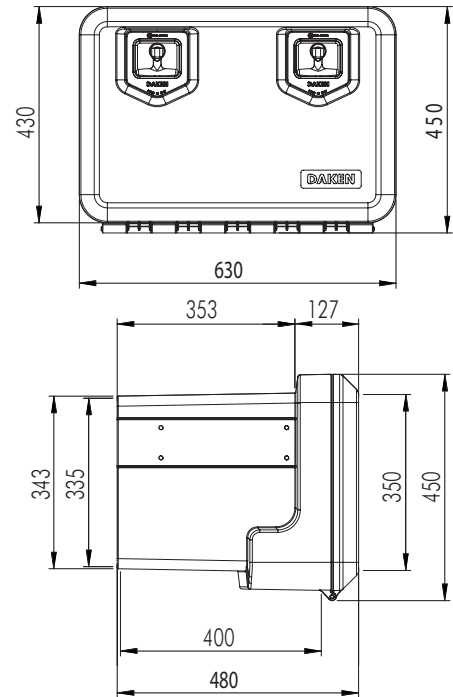
Code	Dimensions mm			Weight kg
	L	H	D	
81002	480	400	400	5.0
81002S	480 x 400 x 400 (with down struts)			5.0

WELVET TOOLBOX 78 Lt CAPACITY

Velvet - Injection Moulded Polypropylene resin - Europlex Lock system - High impact resistance to stress or breakage - Resistant to Weather, UV rays & Water - 78 litre capacity.



Velvet toolboxes are approved as lateral protection devices (LPD).
The approval number for the toolboxes is: E11 73R-11168



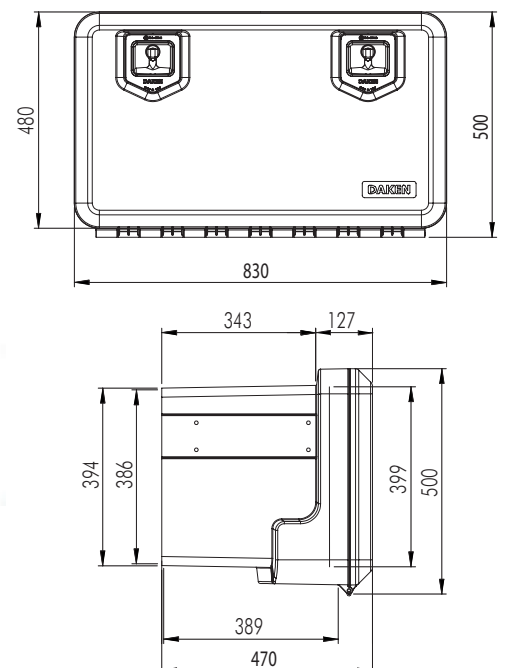
Code	Dimensions mm			Weight kg
	L	H	D	
81004	630	450	480	8.0
81004S	630 x 450 x 480 (with down struts)			8.0

WELVET TOOLBOX 120 Lt CAPACITY

Velvet - Injection Moulded Polypropylene resin - Europlex Lock system - High impact resistance to stress or breakage - Resistant to Weather, UV rays & Water - 120 litre capacity.




Velvet toolboxes are approved as lateral protection devices (LPD).
The approval number for the toolboxes is: E11 73R-11168

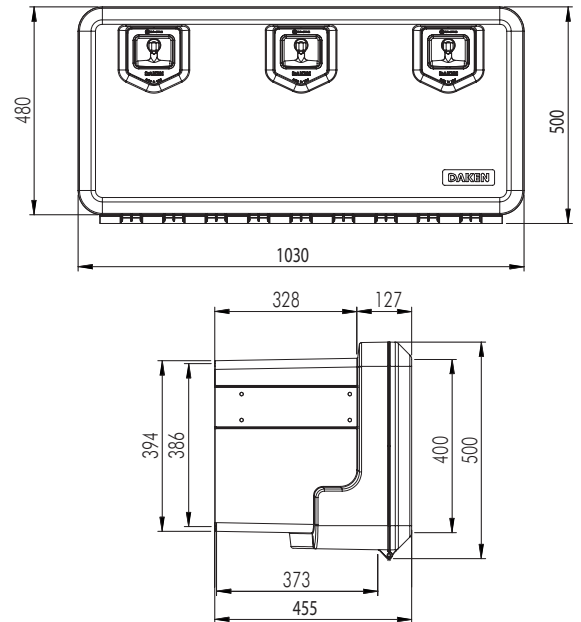


Code	Dimensions mm			Weight kg
	L	H	D	
81006	830	500	470	10.5
81006S	830 x 500 x 470 (with down struts)			10.5

WELVET TOOLBOX 155 Lt CAPACITY

Velvet - Injection Moulded Polypropylene resin - Europlex Lock system - High impact resistance to stress or breakage - Resistant to Weather, UV rays & Water - 155 litre capacity.

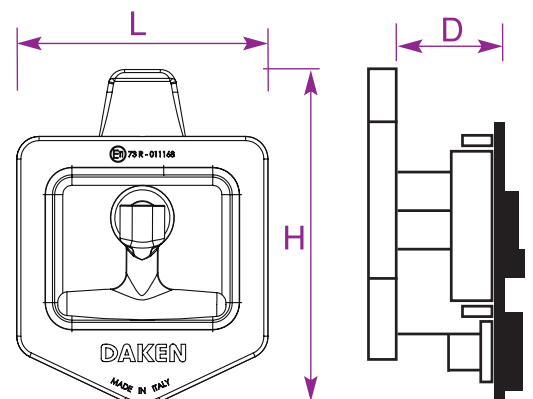
Velvet toolboxes are approved as lateral protection devices (LPD).
The approval number for the toolboxes is:  73R-11168



Code	Dimensions mm			Weight kg
	L	H	D	
81008	1030	500	455	13.0
81008S	1030	500	455 (with down struts)	13.0

EUROPLEX LOCK

Europlex Locks for Toolboxes



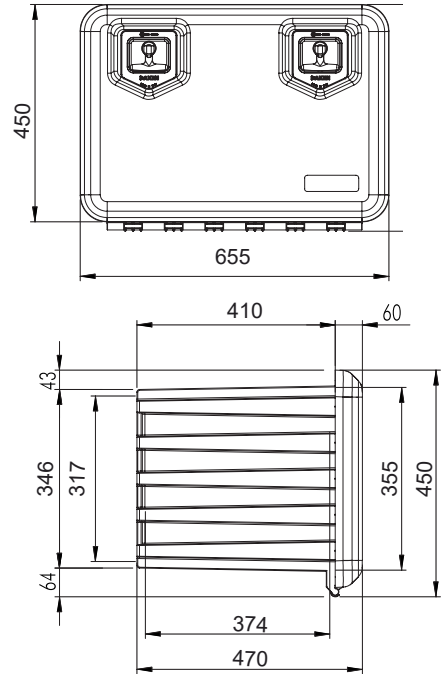
Code	Dimensions mm			Weight kg
	L	H	D	
Fits Toolboxes 81000				
89000	125	120	39.0	0.26
Fits Toolboxes 81002, 81004, 81006 & 81008				
89010	125	120	45.0	0.28

ARKA TOOLBOX 74 Lt CAPACITY

Arka - Injection Moulded Polypropylene resin - Europlex Lock system - High impact resistance to stress or breakage - Resistant to Weather, UV rays & Water - 74 litre capacity.



Arka toolboxes are approved as lateral protection devices (LPD).
The approval number for the toolboxes is: (E11) 73R-11168



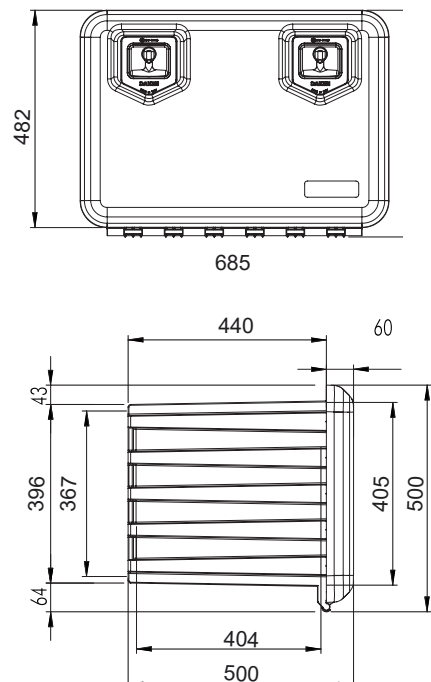
Code	Dimensions mm			Weight kg
	L	H	D	
81204	655	450	470	6.6
81204S	655	450	470 (with down struts)	6.6

ARKA TOOLBOX 109 Lt CAPACITY

Arka - Injection Moulded Polypropylene resin - Europlex Lock system - High impact resistance to stress or breakage - Resistant to Weather, UV rays & Water - 109 litre capacity.



Arka toolboxes are approved as lateral protection devices (LPD).
The approval number for the toolboxes is: (E11) 73R-11168

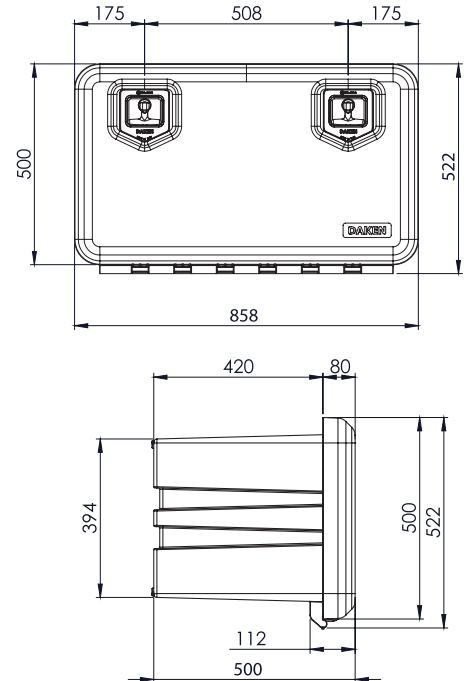


Code	Dimensions mm			Weight kg
	L	H	D	
81205	685	500	500	6.5
81205S	685	500	500 (with down struts)	6.5

ARKA TOOLBOX 134 Lt CAPACITY

Arka - Injection Moulded Polypropylene resin - Europlex Lock system - High impact resistance to stress or breakage - Resistant to Weather, UV rays & Water - 134 litre capacity.

Arka toolboxes are approved as lateral protection devices (LPD).
The approval number for the toolboxes is: **E11** 73R-11168

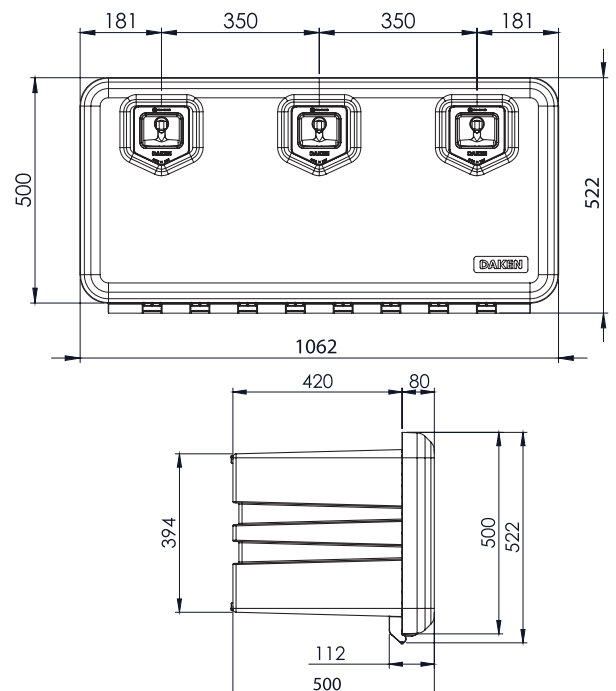


Code	Dimensions mm			Weight kg
	L	H	D	
81206	858	522	500	10.7
81206S	858 x 522 x 500 (with down struts)			10.7

ARKA TOOLBOX 169 Lt CAPACITY

Arka - Injection Moulded Polypropylene resin - Europlex Lock system - High impact resistance to stress or breakage - Resistant to Weather, UV rays & Water - 169 litre capacity.


Arka toolboxes are approved as lateral protection devices (LPD).
The approval number for the toolboxes is: **E11** 73R-11168

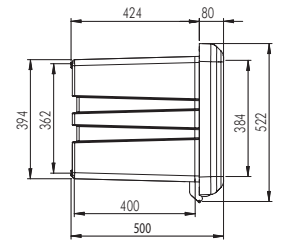
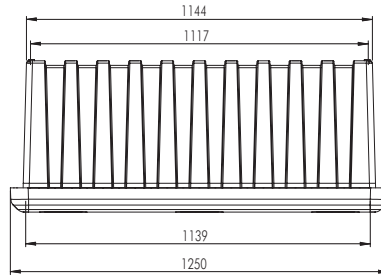
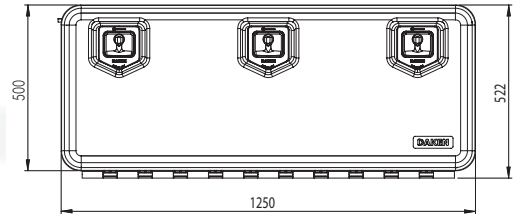


Code	Dimensions mm			Weight kg
	L	H	D	
81208	1062	522	500	13.2
81208S	1062 x 522 x 500 (with down struts)			13.2

ARKA TOOLBOX 203 Lt CAPACITY

Arka - Injection Moulded Polypropylene resin - Europlex Lock system - High impact resistance to stress or breakage - Resistant to Weather, UV rays & Water - 203 litre capacity.

Arka toolboxes are approved as lateral protection devices (LPD).
The approval number for the toolboxes is:  73R-11168



Code	Dimensions mm			Weight kg
	L	H	D	
81209	1250	522	500	15.5
81209S (with down struts)	1250	522	500	15.5

DOWN STRUT SET

Toolbox Gas Spring set - Variety of fixing options



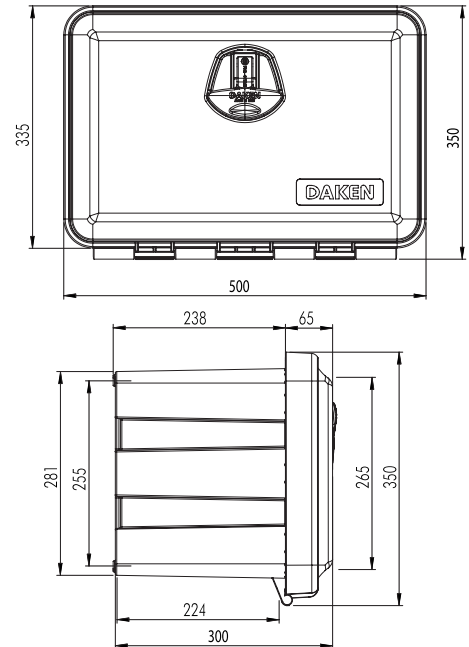
Code	Weight kg
V9900	0.30

JUST TOOLBOX 30 Lt CAPACITY

Just 30 litre Toolbox - Reinforced lid with grid structure - compression locking system with a hook cylinder lock with 2 keys - internal EPDM seal prevents dust and water ingress - internal reinforcement ribs suitable as shelf runners - Fast body lid fixing - 30 litre capacity.



Just toolboxes are approved as lateral protection devices (LPD).
The approval number for the toolboxes is: E11 73R-11168



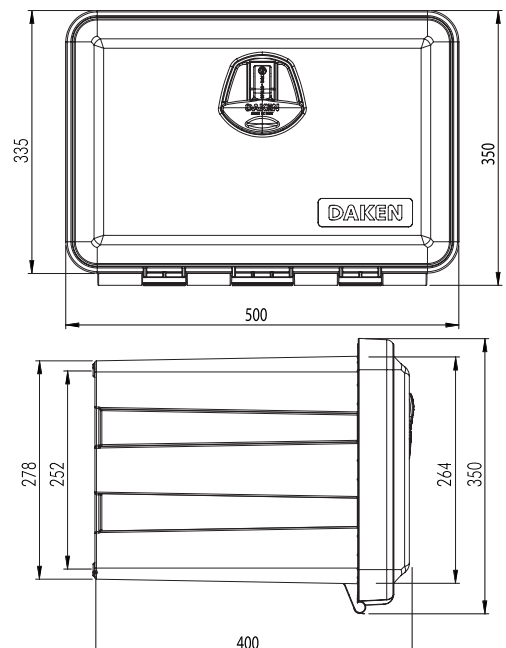
Code	Capacity	Dimensions mm			Weight kg
		L	H	D	
81100	30 Litre	500	350	300	3.0

JUST TOOLBOX 41 Lt CAPACITY

Just 41 litre Toolbox - Reinforced lid with grid structure - compression locking system with a hook cylinder lock with 2 keys - internal EPDM seal prevents dust and water ingress - internal reinforcement ribs suitable as shelf runners - Fast body lid fixing - 41 litre capacity.



Just toolboxes are approved as lateral protection devices (LPD).
The approval number for the toolboxes is: E11 73R-11168



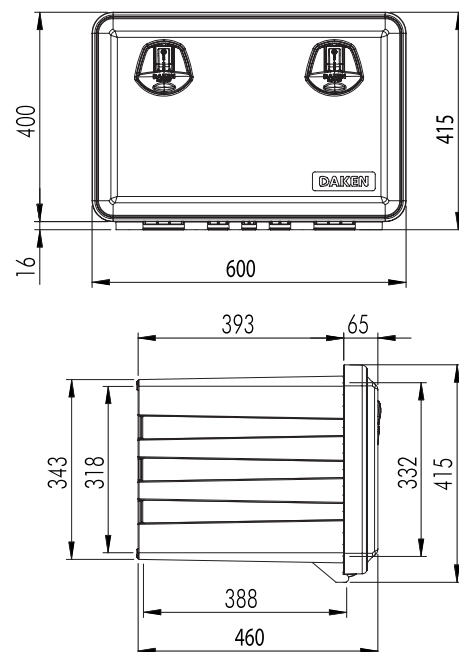
Code	Capacity	Dimensions mm			Weight kg
		L	H	D	
81102	41 Litre	500	350	400	3.3

JUST TOOLBOX 74 Lt CAPACITY

Just 71litre Toolbox - Reinforced lid with grid structure - compression locking system with a hook cylinder lock with 2 keys - internal EPDM seal prevents dust and water ingress - internal reinforcement ribs suitable as shelf runners - Fast body lid fixing - 74 litre capacity.



Just toolboxes are approved as lateral protection devices (LPD).
The approval number for the toolboxes is: E11 73R-11168



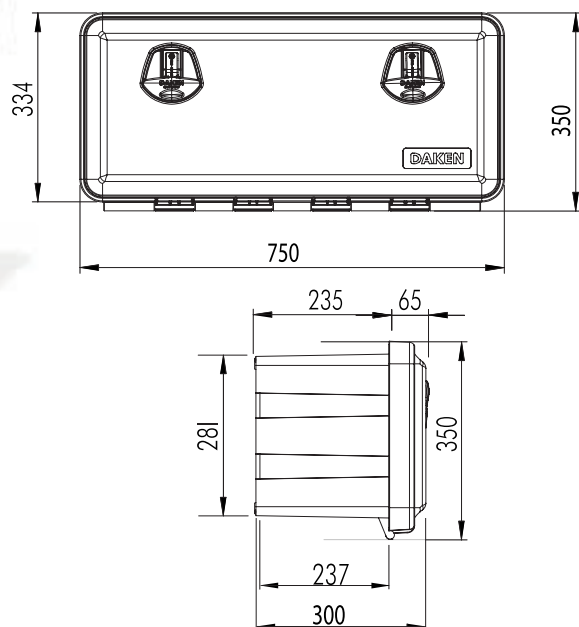
Code	Dimensions mm			Weight kg
	L	H	D	
81104	600	415	460	4.9

JUST TOOLBOX 47 Lt CAPACITY

Just 40 litre Toolbox - Reinforced lid with grid structure - compression locking system with a hook cylinder lock with 2 keys - internal EPDM seal prevents dust and water ingress - internal reinforcement ribs suitable as shelf runners - fast body lid fixing - 47 litre capacity.



Just toolboxes are approved as lateral protection devices (LPD).
The approval number for the toolboxes is: E11 73R-11168

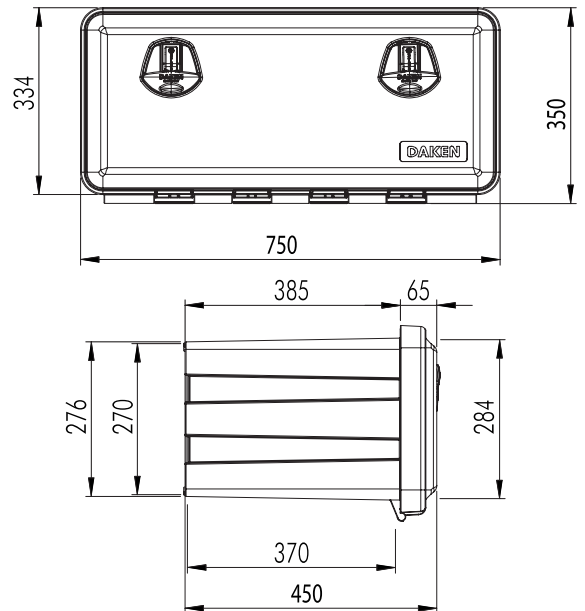


Code	Dimensions mm			Weight kg
	L	H	D	
81105	750	350	300	4.5

JUST TOOLBOX 74 Lt CAPACITY

Just 65 litre Toolbox - Reinforced lid with grid structure - compression locking system with a hook cylinder lock with 2 keys - internal EPDM seal prevents dust and water ingress - internal reinforcement ribs suitable as shelf runners - fast body lid fixing - 74 litre capacity.

Just toolboxes are approved as lateral protection devices (LPD).
The approval number for the toolboxes is: E11 73R-11168

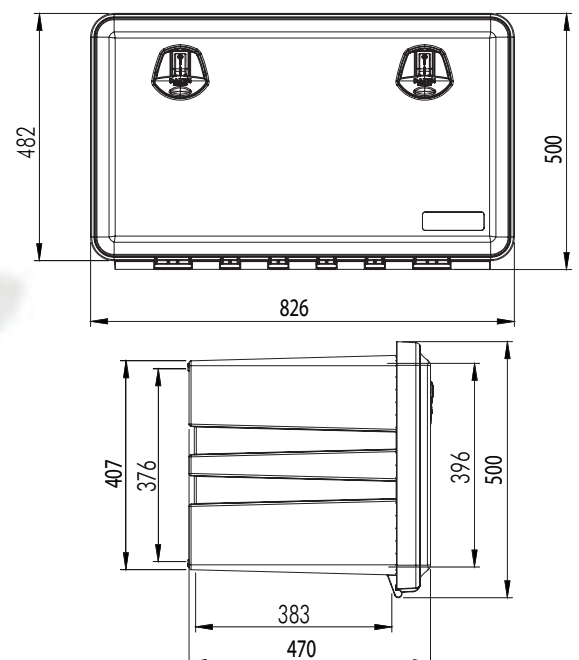


Code	Dimensions mm			Weight kg
	L	H	D	
81106	750	350	450	5.2

JUST TOOLBOX 127 Lt CAPACITY

Just 125 litre Toolbox - Reinforced lid with grid structure - compression locking system with a hook cylinder lock with 2 keys - internal EPDM seal prevents dust and water ingress - internal reinforcement ribs suitable as shelf runners - Fast body lid fixing - 127 litre capacity.

Just toolboxes are approved as lateral protection devices (LPD).
The approval number for the toolboxes is: E11 73R-11168

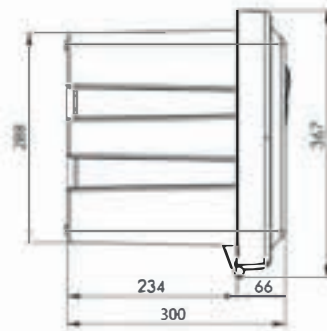
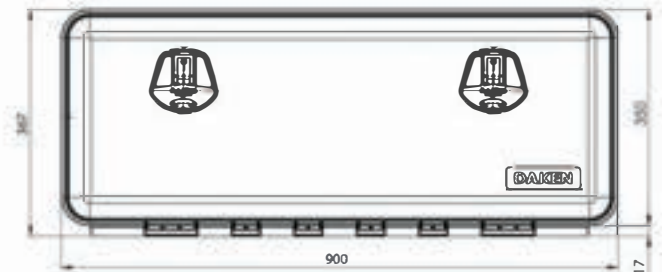


Code	Dimensions mm			Weight kg
	L	H	D	
81108	826	500	470	7.8

JUST TOOLBOX 57 Lt CAPACITY

Just 57 litre Toolbox - Reinforced lid with grid structure - compression locking system with a hook cylinder lock with 2 keys - internal EPDM seal prevents dust and water ingress - internal reinforcement ribs suitable as shelf runners - fast body lid fixing 57 litre capacity.

Just toolboxes are approved as lateral protection devices (LPD).
The approval number for the toolboxes is : E11 73R-11168

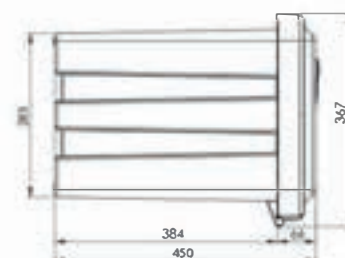


Code	Dimensions (mm)	Weight (kg)
81109	900 x 367 x 300	5.4

JUST TOOLBOX 90 Lt CAPACITY

Just 90 litre Toolbox - Reinforced lid with grid structure - compression locking system with a hook cylinder lock with 2 keys - internal EPDM seal prevents dust and water ingress - internal reinforcement suitable as shelf runners - Fast body lid fixing 90 litre capacity.

Just toolboxes are approved as lateral protection devices (LPD).
The approval number for the toolboxes is : E11 73R-11168



Code	Dimensions (mm)	Weight (kg)
81110	900 x 367 x 450	6.6

CUSTOMISED PLASTIC TOOLBOXES

We can supply your plastic toolboxes customised into the cover of the toolbox with name of your choice. The labels are silk screened epoxy coated labels with permanent adhesive backing.



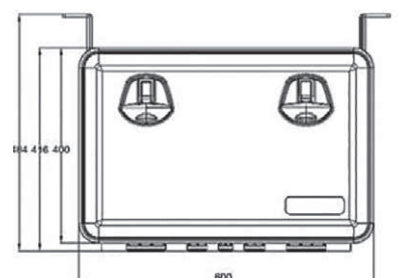
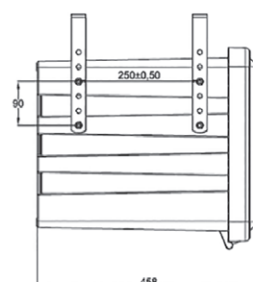
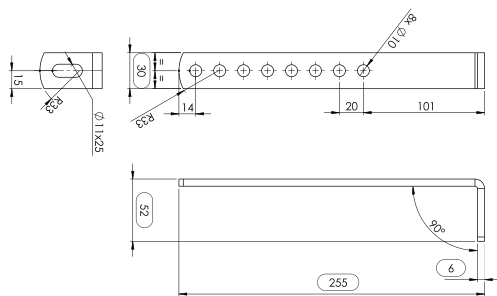
*Only available on ≥ 600 mm Toolboxes



The small label fixes to the nameplate on the toolbox lid and is available on both Velvet and Just Toolboxes

VERTICAL TOOLBOX BRACKETS

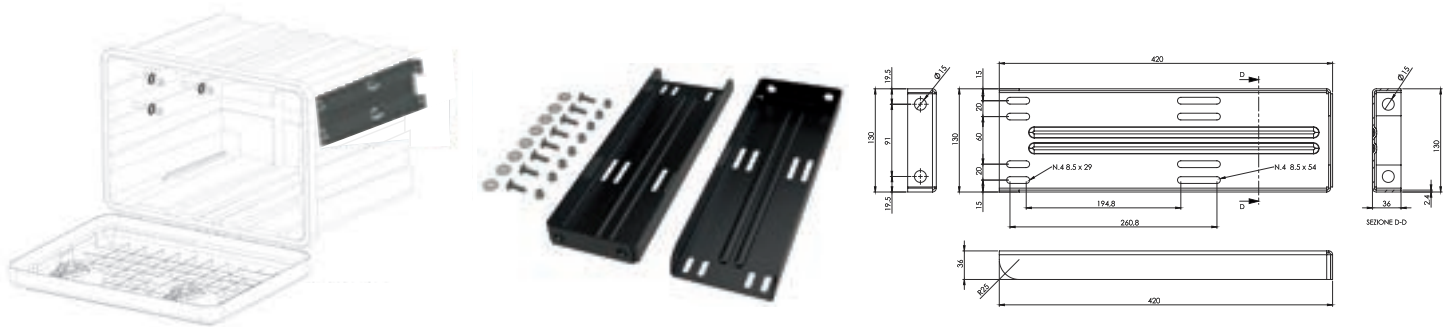
Vertical Brackets - Hot galvanized steel brackets with GEOMET coated fixing kit



Code	Dimensions mm	Thickness	Weight kg	Max Load
88402	247 x 52	6.0mm	1.73	200kg

HORIZONTAL TOOLBOX BRACKETS

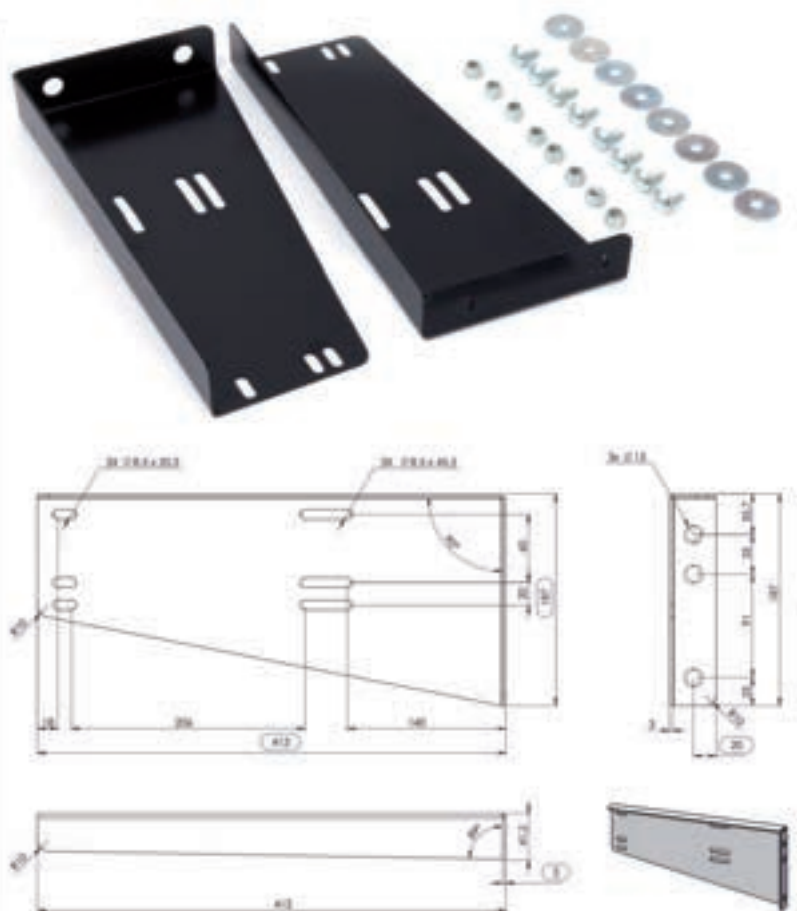
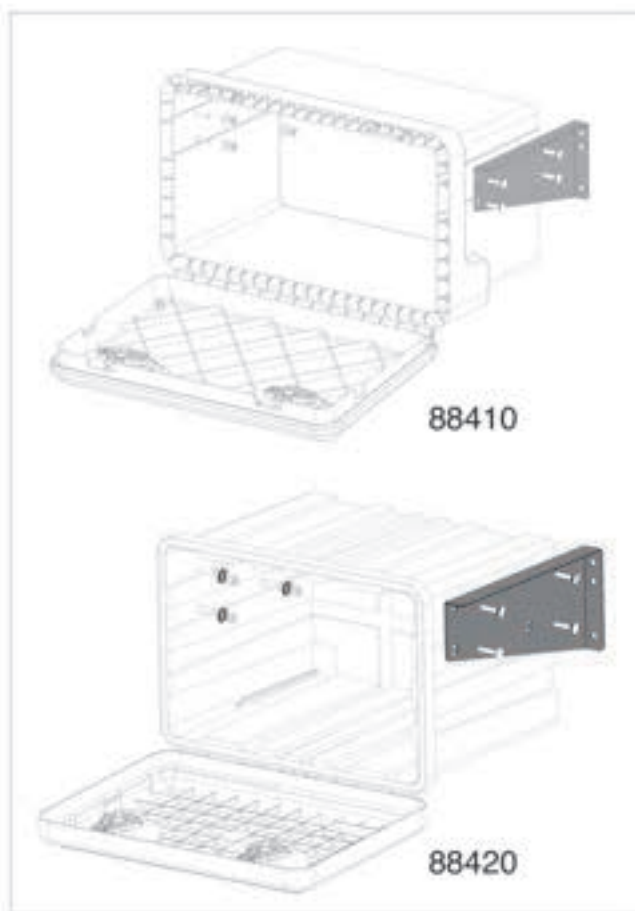
Horizontal Epoxy-powder coated steel brackets with GEOMET coated fixing kit



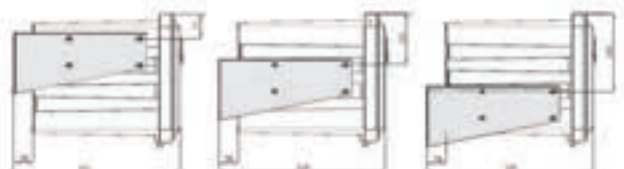
88470 Black Powder Coated

88473 Magnelis

Code	Dimensions mm	Thickness	Weight	Max Load
88470	420 x 130	2.4 mm	1.72 kg	150 kg
88470	420 x 130	2.4 mm	1.72 kg	150 kg



Code	Dimensions mm	Thickness	Weight kg	Max Load
88410	336 x 152	2.0mm	2.1	150kg
88420	413 x 189	3.0mm	4.0	150kg



BLACKIT CAR TRAILER TOOLBOXES

Blackit Toolboxes - Reinforced structure - Injection Molding Polypropylene - Ergonomic handles with cylinder lock and dust cap - internal EPDM seal prevents dust and water ingress



82201



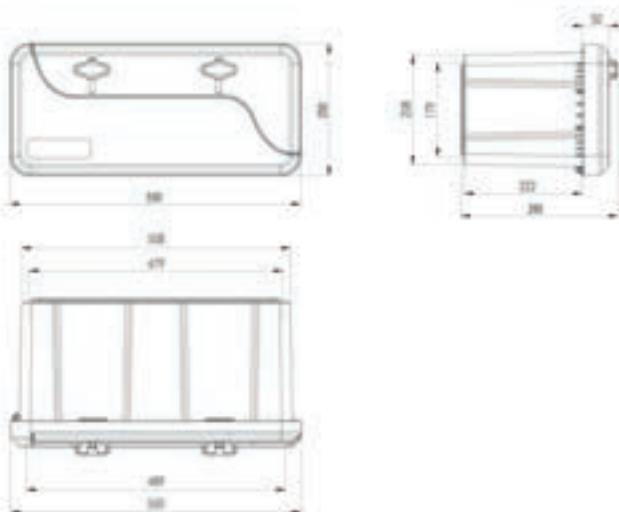
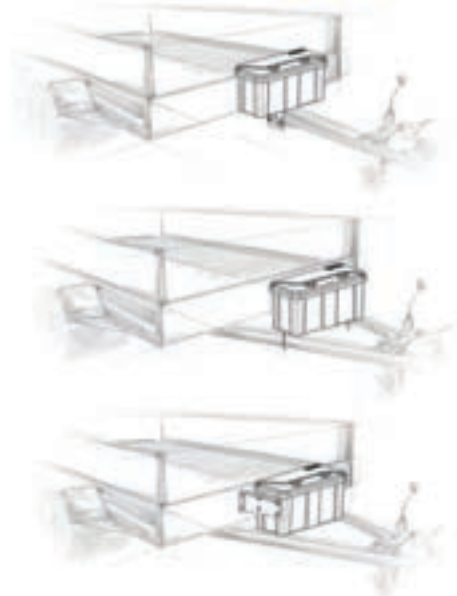
82202



82203



Blackit Toolbox Fitting Applications



Code	Opening	Dimensions mm			Weight kg
		L	H	D	
82201	Side	550	250	295	2.5
82202	Top	550	250	295	2.5
82203	Top	750	300	355	3.5