

BAWER EVOLUTION PLASTIC TOOLBOXES



E8 73R-0110378
E11 73R-11168

- LPD HOMOLOGATION
- FAST MOUNTING SYSTEM (OPTIONAL)
- INTEGRATED HANDLE
- WEIGHT REDUCTION
- ACCESSORIES



EVOLUTION PLASTIC TOOLBOX

Evolution **BASIC Line** Plastic Toolbox - Injection Moulded Polypropylene resin - Integrated Compression Locking Handle - 2 Keys - Internal EPDM Seal - Fast Fix Lid - High Impact Resistance to stress or breakage - Resistant to Weather, UV Rays & Water. Can be supplied boxed or stacked.

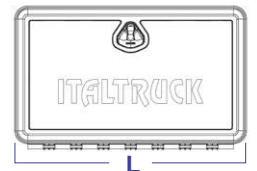
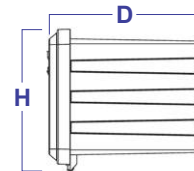


Evolution Plastic Toolboxes are approved as lateral protection devices (LPD). The approval number for these boxes is at the foot of the lid.

The approval number for the toolboxes is: (E8) 73R-6110378



| Code | Dimensions | | | Weight kg | Internal Volume Capacity |
|-------|------------|-----|-----|-----------|--------------------------|
| | L | H | D | | |
| E0130 | 400 | 350 | 350 | 2.7 | 25L |
| E0140 | 500 | 365 | 300 | 3.2 | 28L |
| E0150 | 500 | 365 | 400 | 3.5 | 38L |
| E0200 | 600 | 425 | 460 | 4.5 | 65L |



EVOLUTION FAST-FIT PLASTIC TOOLBOX

Evolution **PREMIUM FAST-FIT Line** Plastic Toolbox - Injection Moulded Polypropylene resin - Integrated Compression Locking Handle - 2 Keys - Internal EPDM Seal - Fast Fix Lid - High Impact Resistance to stress or breakage - Resistant to Weather, UV Rays & Water. **Pull-out Drawer - Chains - Fast-Fit Ready**

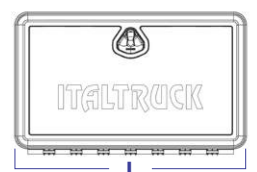
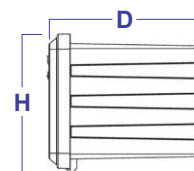


Evolution Plastic Toolboxes are approved as lateral protection devices (LPD). The approval number for these boxes is at the foot of the lid.

The approval number for the toolboxes is: (E8) 73R-6110378



| Code | Dimensions | | | Weight kg | Internal Volume Capacity |
|-------|------------|-----|-----|-----------|--------------------------|
| | L | H | D | | |
| E0142 | 500 | 365 | 300 | 3.4 | 32L |
| E0152 | 500 | 365 | 400 | 4.6 | 37L |
| E0202 | 600 | 425 | 460 | 6.7 | 68L |



EVOLUTION PLASTIC TOOLBOX

Evolution **BASIC Line** Plastic Toolbox - Injection Moulded Polypropylene resin - 2 x Integrated Compression Locking Handles - 2 Keys - Internal EPDM Seal - Fast Fix Lid - High Impact Resistance to stress or breakage - Resistant to Weather, UV Rays & Water. Can be supplied boxed or stacked.

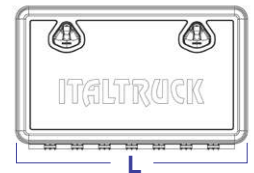
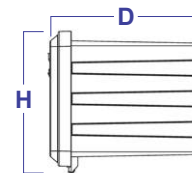


Evolution Plastic Toolboxes are approved as lateral protection devices (LPD). The approval number for these boxes is at the foot of the lid.

The approval number for the toolboxes is: (E8) 73R-6110378



| Code | Dimensions | | | Weight kg | Internal Volume Capacity |
|-------|------------|-----|-----|-----------|--------------------------|
| | L | H | D | | |
| E0220 | 750 | 360 | 300 | 4.9 | 40L |
| E0240 | 750 | 360 | 450 | 4.9 | 61L |
| E0250 | 800 | 500 | 460 | 7.3 | 107L |
| E0300 | 1000 | 500 | 460 | 10.5 | 135L |



EVOLUTION FAST-FIT PLASTIC TOOLBOX

Evolution **PREMIUM FAST-FIT Line** Plastic Toolbox - Injection Moulded Polypropylene resin - 2 x Integrated Compression Locking Handles - 2 Keys - Internal EPDM Seal - Fast Fix Lid - High Impact Resistance to stress or breakage - Resistant to Weather, UV Rays & Water. **Pull-out Drawer - Chains - Fast-Fit Ready**

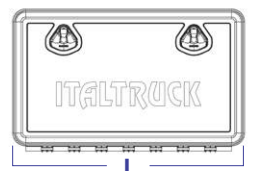
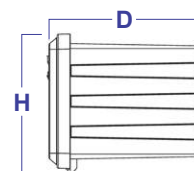


Evolution Plastic Toolboxes are approved as lateral protection devices (LPD). The approval number for these boxes is at the foot of the lid.

The approval number for the toolboxes is: (E8) 73R-6110378



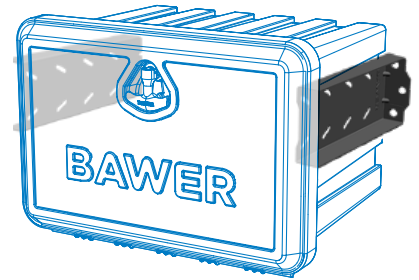
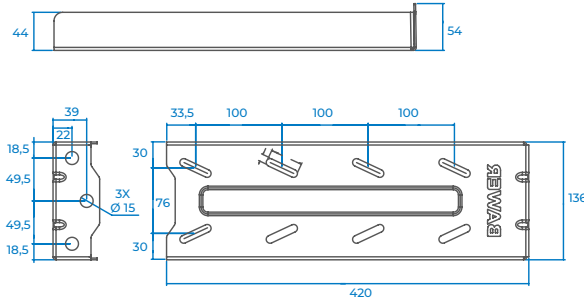
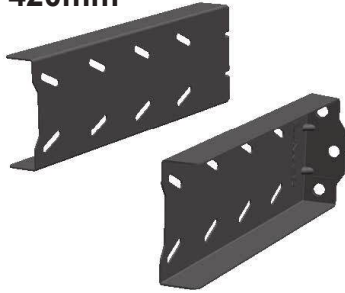
| Code | Dimensions | | | Weight kg | Internal Volume Capacity |
|-------|------------|-----|-----|-----------|--------------------------|
| | L | H | D | | |
| E0242 | 750 | 360 | 450 | 8.10 | 60L |
| E0252 | 800 | 500 | 460 | 9.15 | 105L |
| E0302 | 1000 | 500 | 460 | 13.3 | 133L |



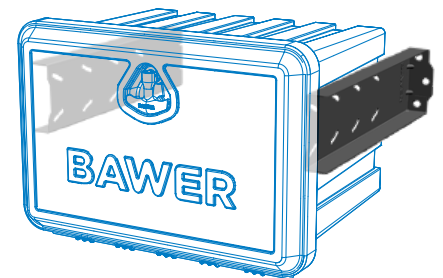
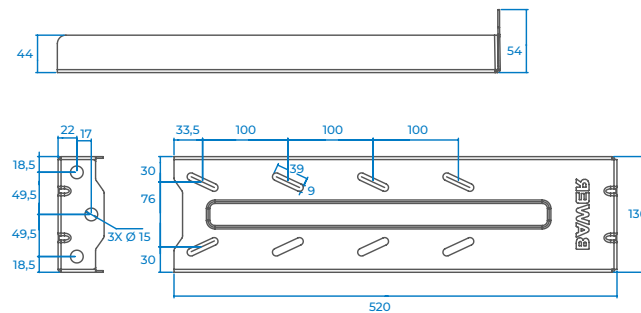
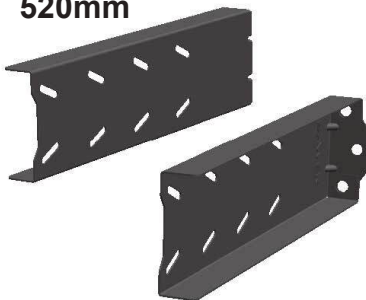
EVOLUTION PLASTIC TOOLBOX BRACKETS

Black, Powder Coated - Standard Equipment included - x2 Brackets - x8 Screw TE ZNB - M8x25 + Self-blocking Nut ZN M8 - x8 Washer ZNB Ø 8,4x24 (Wide Strip)

420mm



520mm



| Code | Description | Suitability |
|----------|--|--------------------------|
| E2 99022 | 420mm Horizontal Black Powder Coated Fitting Kit for Plastic Toolboxes | 300-400mm Deep Toolboxes |
| E2 99024 | 520mm Horizontal Black Powder Coated Fitting Kit for Plastic Toolboxes | 450-500mm Deep Toolboxes |
| E0 99006 | Vertical Brackets Zinc Plated Fitting Kit | All Toolboxes |
| E0 99005 | Door Chain Kit | All Toolboxes |

EVOLUTION FASTFIT TUBES FOR PLASTIC TOOLBOXES

Ø36mm



Short Metal Fastfit Tube Kit



Metal Adjustable Fastfit Tube Kit



Ø49mm



| Code | Description | Suitability |
|----------|--|--------------------------|
| E0 95118 | Metal Adjustable Fastfit Tube Tube Kit with fixing plate | 300-400mm Deep Toolboxes |
| E0 97005 | Polymer Adjustable Fastfit Tube Kit Ø36mm | 300-400mm Deep Toolboxes |
| E0 96002 | Short Metal Fastfit Tube Kit | 450-500mm Deep Toolboxes |
| E0 96008 | Metal Adjustable Fastfit Tube Kit | 450-500mm Deep Toolboxes |
| E0 96108 | Metal Adjustable Fastfit Tube Tube Kit with fixing plate | 450-500mm Deep Toolboxes |
| E0 98004 | Polymer Short Fastfit Tube Kit Ø49mm | 450-500mm Deep Toolboxes |
| E0 98006 | Polymer Adjustable Fastfit Tube Kit Ø49mm | 450-500mm Deep Toolboxes |