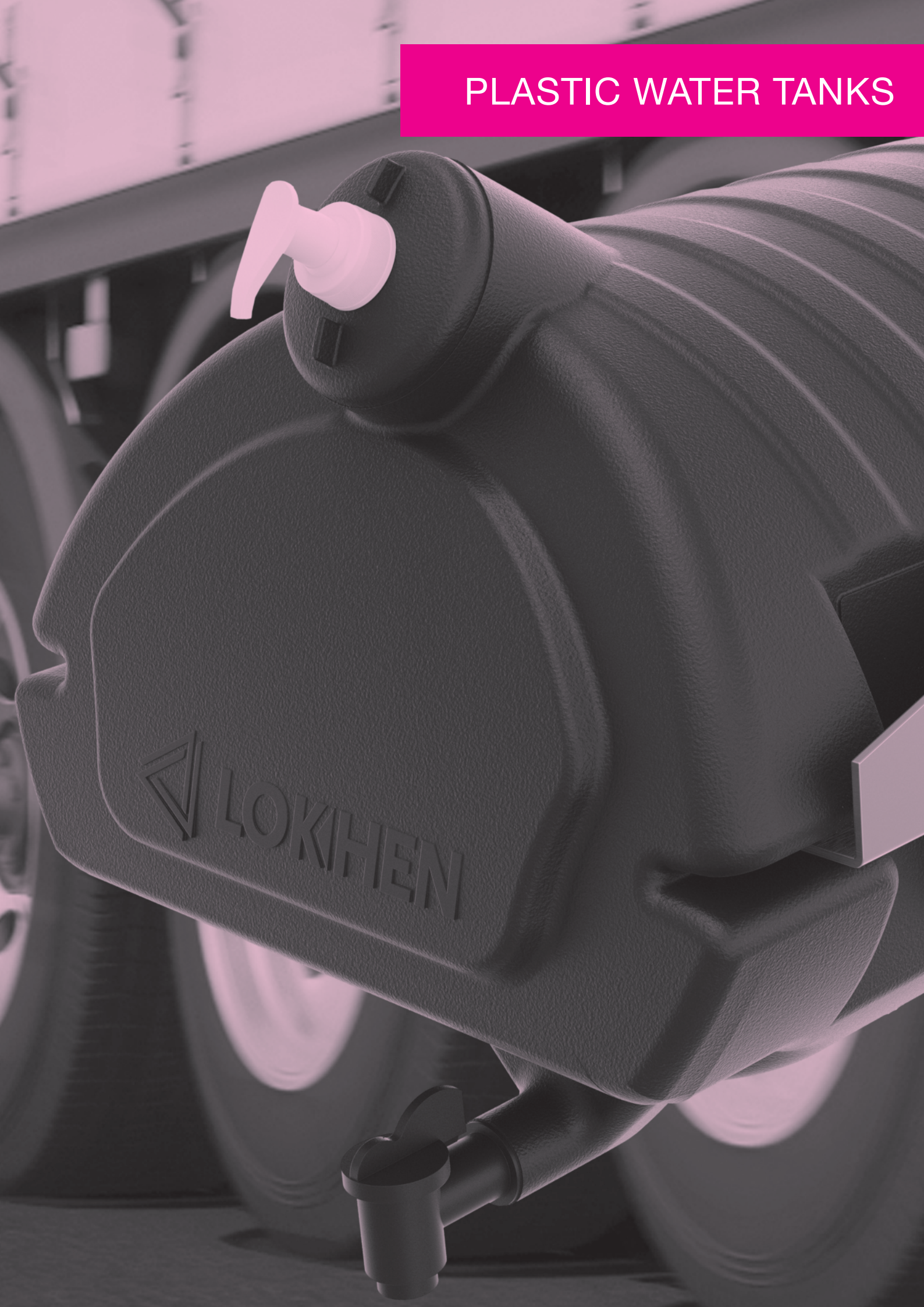
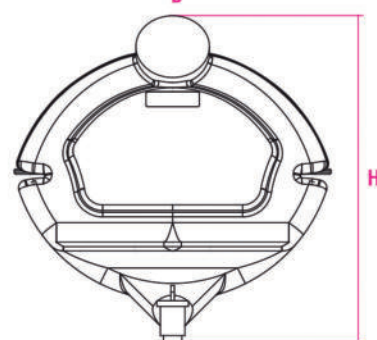
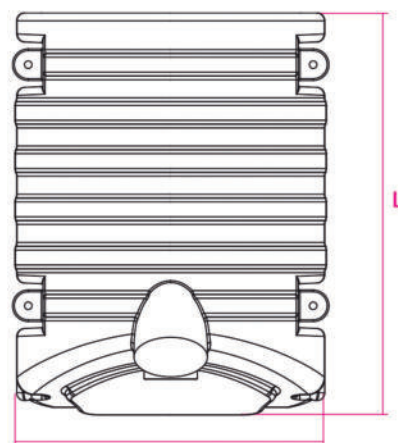


PLASTIC WATER TANKS



PLASTIC GALLERY WATER TANK with SOAP HOLDER

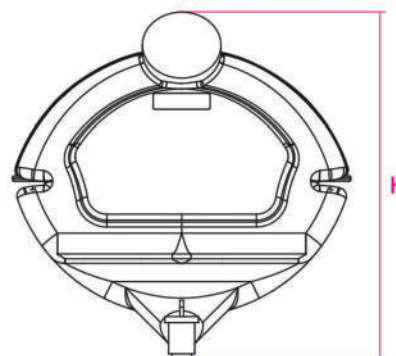
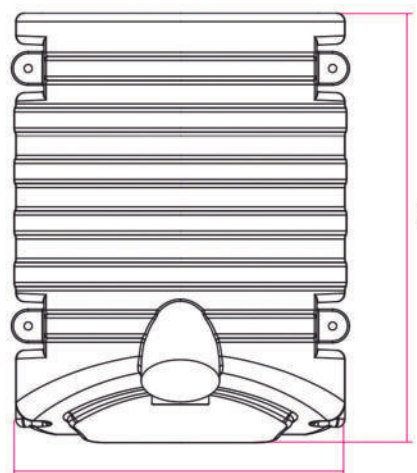
Plastic Gallery Water Tank with soap holder in different sizes and bracketry



Code	Dimensions mm			Capacity	Weight kg
	L	B	H		
LK30LG-SH	455	350	360	30	2.15
LK50LG-SH	457	453	470	50	3.65

PLASTIC GALLERY WATER TANK with DUST CAP

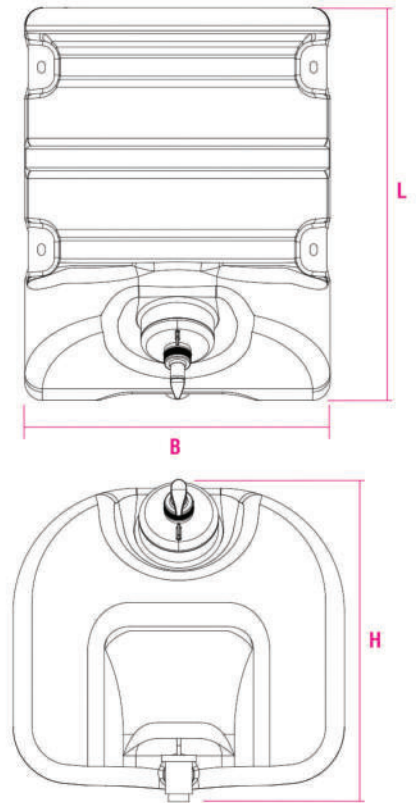
Plastic Gallery Water Tank with plain dust cap in different sizes and bracketry



Code	Dimensions mm			Capacity	Weight kg
	L	B	H		
LK30LG-DC	455	350	360	30	2.10
LK50LG-DC	458	453	470	50	3.60

PLASTIC SQUARE WATER TANK

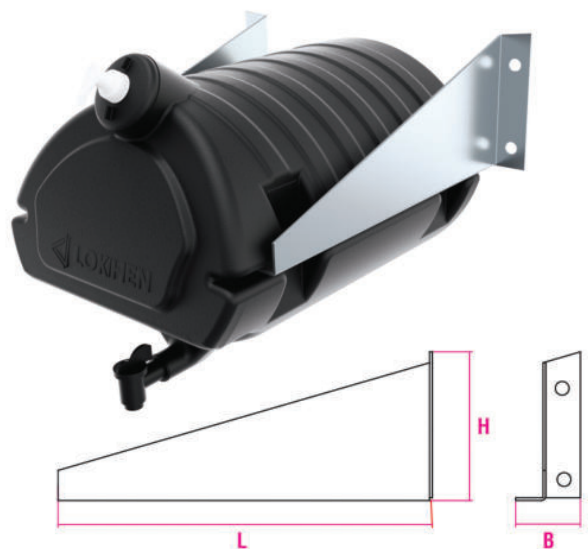
Plastic Square Water Tank with soap holder (SH) or plain dust cap (DC) in different sizes and bracketry



Code	Dimensions mm			Capacity LTR	Weight kg
	L	B	H		
LK18LSQ-SH	330	330	332	18	1.90
LK18LSQ-DC	330	330	332	18	1.90
LK30LSQ-SH	421	343	333	30	2.15
LK30LSQ-DC	421	343	333	30	2.10

ZINC PLATED BRACKETS FOR WATER TANKS (pair)

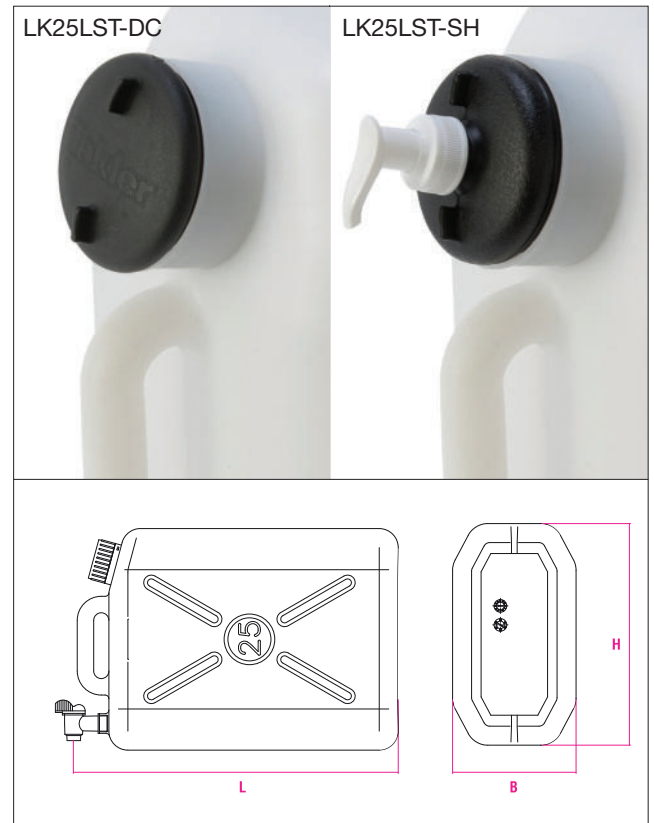
Horizontal zinc plated pair of brackets for 30 and 50 litre Plastic Water Tanks



Code	Dimensions mm			Capacity	Weight kg	
	L	B	H			
LK30LG-BK	414	68	159	30	2.5	} GALLERY WATER TANKS
LK50LG-BK	414	68	159	50	3.4	
LK30LSQ-BK	298	70	160	30	3.25	} SQUARE WATER TANKS
LK18LSQ-BK	200	73	158	18	1.4	

PLASTIC START WATER TANK 25 litre

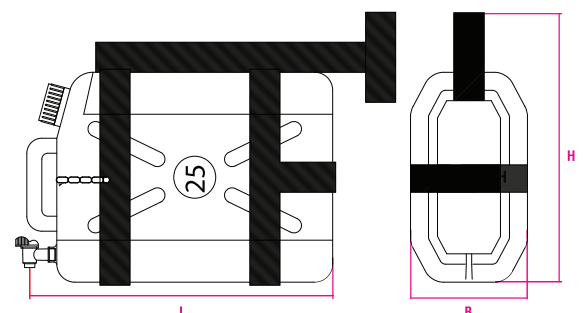
25 litre Plastic Start Water Tank with plain dust cap or soap holder



Code	Dimensions mm			Weight kg
	L	B	H	
LK25LST-DC	541	195	350	1.25
LK25LST-SH	541	195	350	1.25

PLASTIC START WATER TANK 25 litre with ZINC PLATED CAGE

25 litre Plastic Start Water Tank & Cage with plain dust cap or soap holder



Code	Dimensions mm			Weight kg
	L	B	H	
LK25LST-DC-BK	634	213	470	6.50
LK25LST-SH-BK	644	213	470	6.50