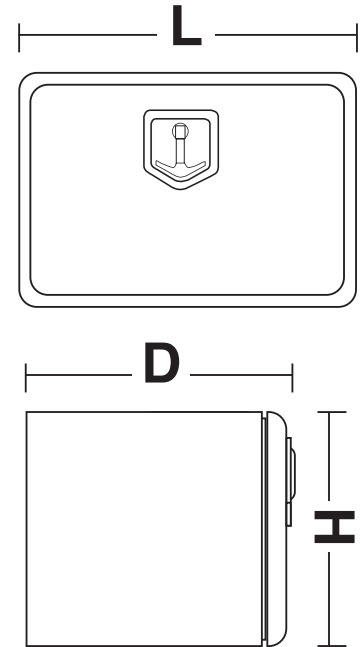


The background of the entire page is a dark gray, textured surface with a repeating diamond-shaped pattern, characteristic of aluminum diamond plate. The pattern consists of raised, rounded diamond shapes that create a three-dimensional effect. In the top right corner, there is a solid blue rectangular area containing the text.

# ALUMINIUM TOOLBOXES

## ALUMINIUM TOOLBOX with EUROPLEX LOCK

Aluminium Body & Lid 2mm - Laser and or TIG welding - Europlex Lock system - Water Resistant  
 Optional: Lid orientation - Internal partitions - Gas springs - Pullout drawer - Internal mat - Aerator  
 Bespoke dimensions and Logo



These toolboxes are produced to order.

Code	Dimensions mm			Weight kg
	L	H	D	
V5015-ALU	500	350	400	6.8
V5020-ALU	600	400	500	9.5

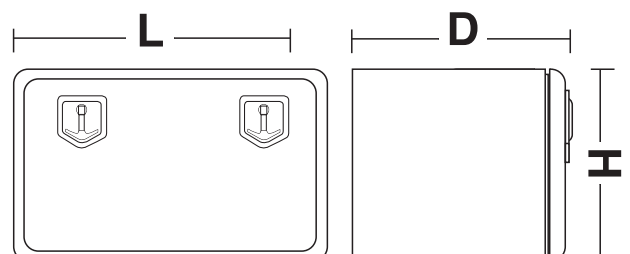
## ALUMINIUM TOOLBOX with EUROPLEX LOCKS

Aluminium Body & Lid 2mm - Laser and or TIG welding - Europlex Lock system - Water Resistant  
 Optional: Lid orientation - Internal partitions - Gas springs - Pullout drawer - Internal mat - Aerator  
 Bespoke dimensions and Logo



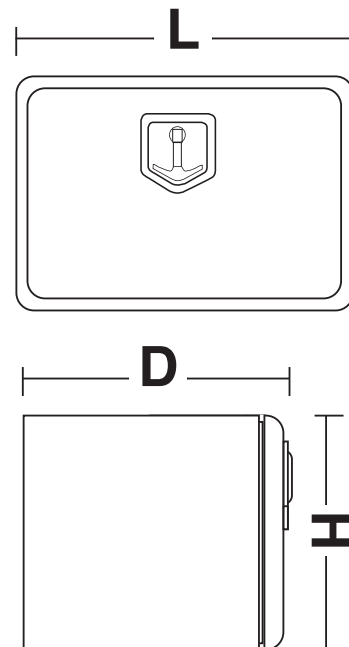
These toolboxes are produced to order.

Code	Dimensions mm			Weight kg
	L	H	D	
V5025-ALU	800	500	500	13.2
V5030-ALU	1000	500	500	16.2
V5035-ALU	1200	500	500	19.2
V5040-ALU	1450	500	500	21.8



## ALUMINIUM TOOLBOX with EUROINOX LOCK

Aluminium Body & Lid 2mm - Laser and or TIG welding - Euroinox Lock system - Water Resistant  
 Optional: Lid orientation - Internal partitions - Gas springs - Pullout drawer - Internal mat - Aerator  
 Bespoke dimensions and Logo



These toolboxes are produced to order.

Code	Dimensions mm			Weight kg
	L	H	D	
V5515-ALU	500	350	400	7.0
V5520-ALU	600	400	500	9.8

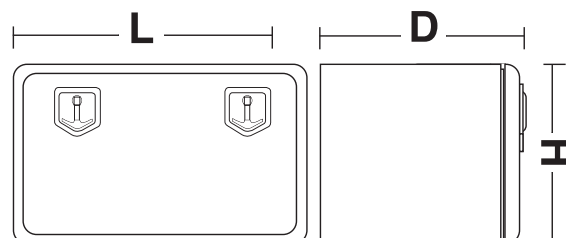
## ALUMINIUM TOOLBOX with EUROINOX LOCKS

Aluminium Body & Lid 2mm - Laser and or TIG welding - Euroinox Lock system - Water Resistant  
 Optional: Lid orientation - Internal partitions - Gas springs - Pullout drawer - Internal mat - Aerator  
 Bespoke dimensions and Logo



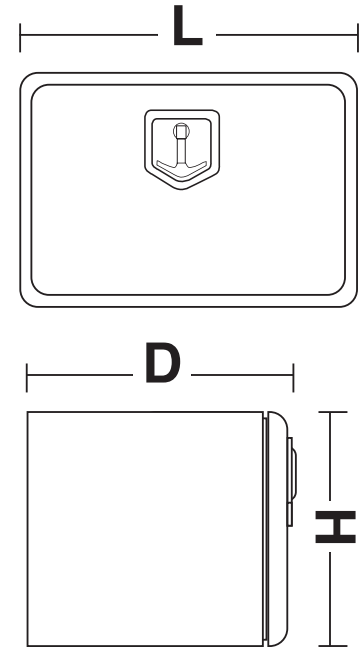
These toolboxes are produced to order.

Code	Dimensions mm			Weight kg
	L	H	D	
V5525-ALU	800	500	500	13.2
V5530-ALU	1000	500	500	16.2
V5535-ALU	1200	500	500	19.7
V5540-ALU	1450	500	500	22.4



## ALUMINIUM TOOLBOX with EUROINOX LOCK

Aluminium Body 2mm & Polished Stainless Steel Lid 1.5mm - Laser and or TIG welding - Euroinox Lock system - Water Resistant Optional: Lid orientation - Internal partitions - Gas springs - Pullout drawer - Internal mat - Aerator Bespoke dimensions and Logo



These toolboxes are produced to order.

Code	Dimensions mm			Weight kg
	L	H	D	
V5615-ALU	500	350	400	6.8
V5620-ALU	600	400	500	9.5

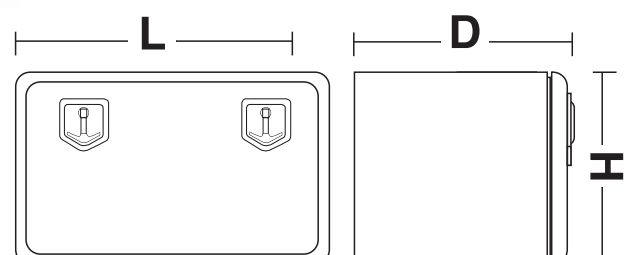
## ALUMINIUM TOOLBOX with EUROINOX LOCKS

Aluminium Body 2mm & Polished Stainless Steel Lid 1.5mm - Laser and or TIG welding - Euroinox Lock system - Water Resistant Optional: Lid orientation - Internal partitions - Gas springs - Pullout drawer - Internal mat - Aerator Bespoke dimensions and Logo



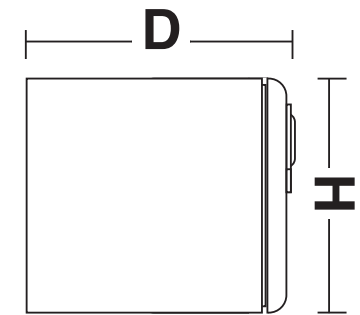
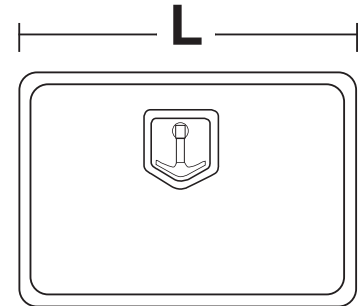
These toolboxes are produced to order.

Code	Dimensions mm			Weight kg
	L	H	D	
V5625-ALU	800	500	500	13.2
V5630-ALU	1000	500	500	16.2
V5635-ALU	1200	500	500	19.2
V5640-ALU	1450	500	500	21.8



## ALUMINIUM TOOLBOX with EUROINOX LOCK

Chequer Plate Finish Aluminium Body & Lid 2mm - Laser and or TIG welding - Euroinox Lock system - Water Resistant Optional: Lid orientation - Internal partitions - Gas springs - Pullout drawer - Internal mat - Aerator Bespoke dimensions and Logo



These toolboxes are produced to order.

Code	Dimensions mm			Weight kg
	L	H	D	
V5815-ALU	500	350	400	7.0
V5820-ALU	600	400	500	9.8

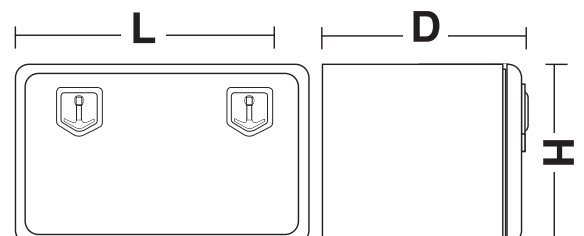
## ALUMINIUM TOOLBOX with EUROINOX LOCKS

Chequer Plate Finish Aluminium Body & Lid 2mm - Laser and or TIG welding - Euroinox Lock system - Water Resistant Optional: Lid orientation - Internal partitions - Gas springs - Pullout drawer - Internal mat - Aerator Bespoke dimensions and Logo



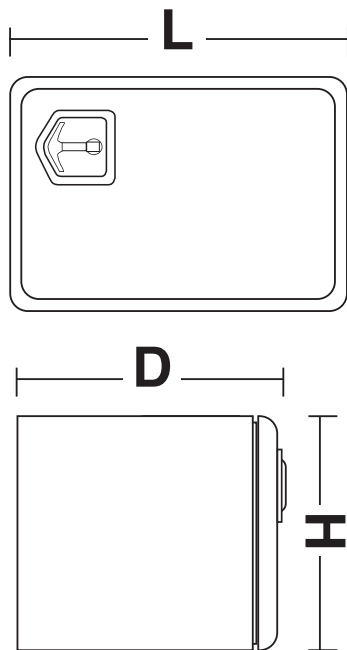
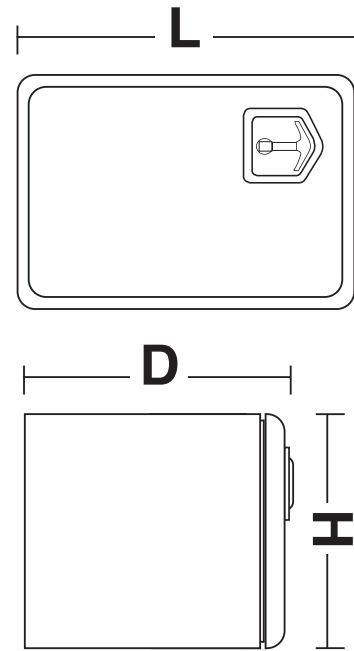
These toolboxes are produced to order.

Code	Dimensions mm			Weight kg
	L	H	D	
V5825-ALU	800	500	500	13.2
V5830-ALU	1000	500	500	16.2
V5835-ALU	1200	500	500	19.7
V5840-ALU	1450	500	500	22.4



# BAWER H SERIES HYBRID BOXES

Manufactured using Laser and/or TIG Welding Processed - Lightweight Body and 1.5mm Stainless Steel Lid - Euroinox Lock System - Water Resistant. Optional: Lid Orientation, Gas Struts, Mats, Aerator, Logo



\*These toolboxes are produced to order.

Code	Description	Dimensions			Hinged	Locks
		L	H	D		
H615001	Matt Stainless Steel Toolbox with lightweight body	500	350	400	Bottom	1
H620001*	Matt Stainless Steel Toolbox with lightweight body	600	400	500	Bottom	1
H620003*	Matt Stainless Steel Toolbox with lightweight body	600	400	500	Side	1
H420001*	Aluminium Body Toolbox with Stainless Steel Lid	600	400	400	Bottom	1

# BAWER ALUMINIUM TREAD PLATE TOOLBOX

Aluminium tread plate Toolbox for small trailers with padlockable stainless steel overcentre latches

- FINISH: Aluminium tread plate
- THICKNESS: 2 mm
- CLOSING SYSTEM: Padlockable stainless steel overcentre latches
- HINGES MATERIAL: Nylon
- PRODUCTION PROCESS: Laser cut, bending, TIG welding
- RECOMMENDED MOUNTING: Top opening
- FULLY CUSTOMIZABLE: For size, gas struts, orientation



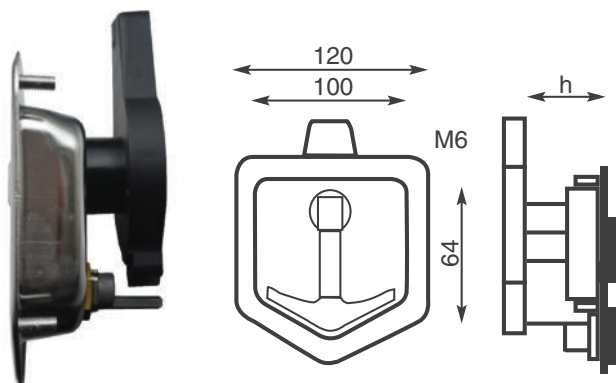
## Standard Dimensions (mm)

L	H	D
400	250	250
500	250	250
600	250	250
700	250	250
800	250	250
800	350	350

Also made to size

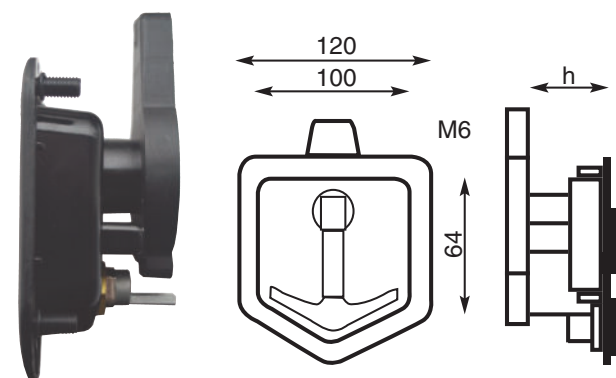
# BAWER TOOLBOX LOCKS

The Euroinox and Europlex Locks for Toolboxes



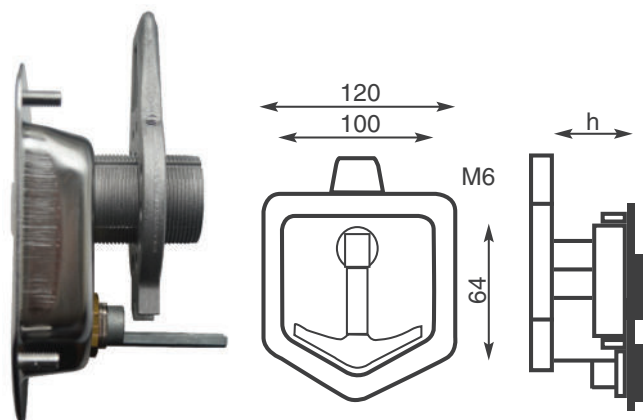
## Euroinox Stainless Steel

Code	Dimension mm H	Weight kg
V9964	39	0.56



## Europlex Nylon Lock

Code	Dimension mm H	Weight kg
V9941	39	0.26



## Euroinox Stainless Steel Adjustable Lock

Code	Dimension mm H adjustable up to 45mm	Weight kg
V9927	21/45	0.62